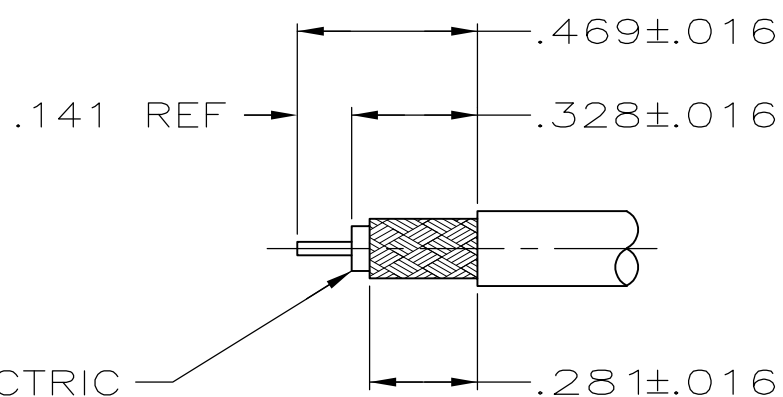
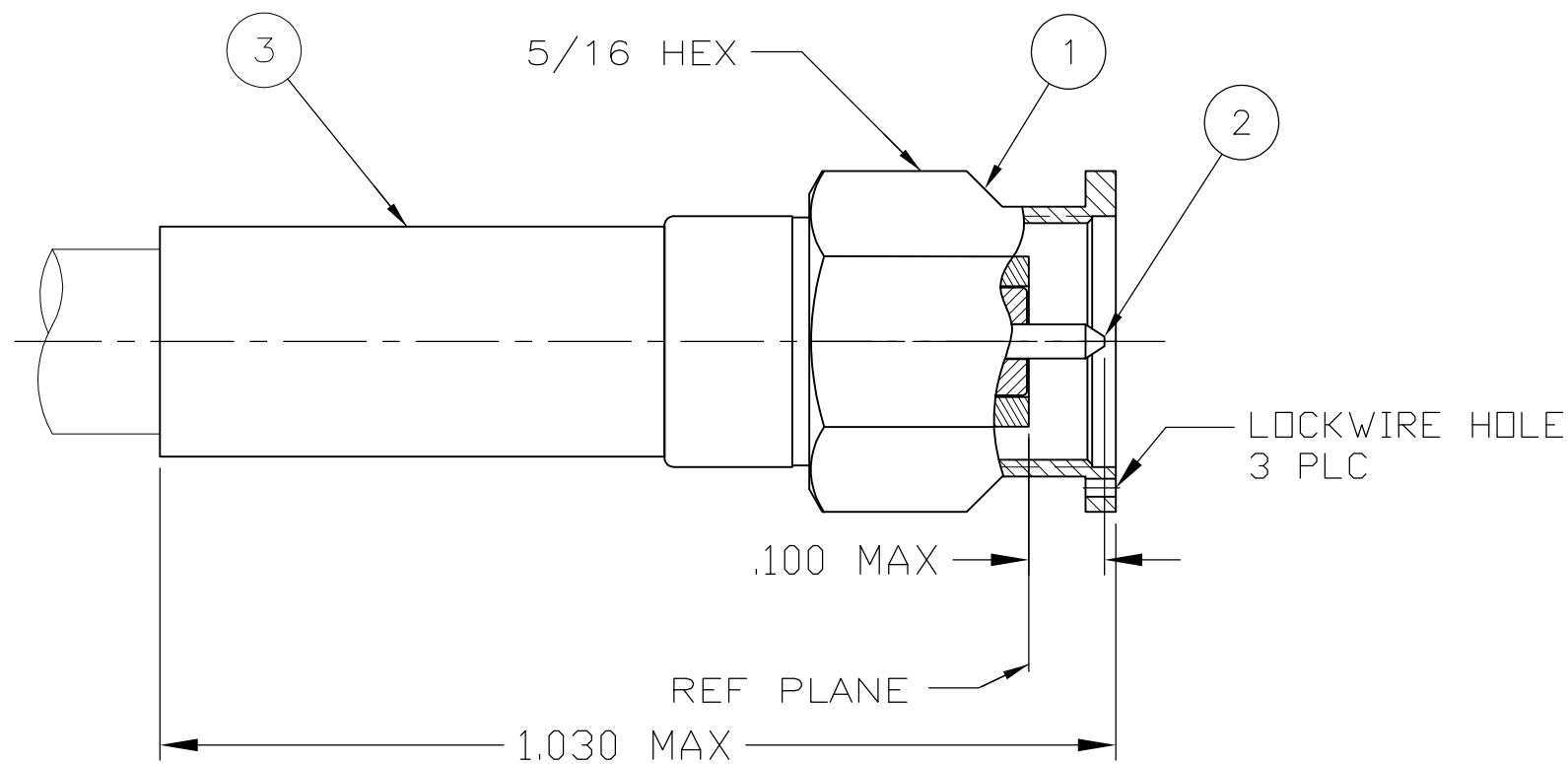


THIS DRAWING IS UNPUBLISHED. RELEASED FOR PUBLICATION  
 © COPYRIGHT BY TYCO ELECTRONICS CORPORATION. ALL INTERNATIONAL RIGHTS RESERVED.

LOC	DIST	REVISIONS					
		P	LTR	DESCRIPTION	DATE	DWN	APVD
—	—		G	REV PER ECO 11-002303	2-2-11	CT	DW

1. FOR USE WITH: RG-142/U, 142A/U & 142B/U CABLE
2. CRIMP WITH TOOL: 220061-1
3. SEE I.S. 2322
4. 00779 M39012/55B3022



CUT DIELECTRIC SQUARE

RECOMMENDED STRIP LENGTH  
SCALE: 2:1

QTY	PART NUMBER	DESCRIPTION	ITEM
1	225618-3	FERRULE	3
1	225540-2	CONTACT	2
1	225533-1	PLUG ASSEMBLY	1

THIS DRAWING IS A CONTROLLED DOCUMENT.		DWN L.A.MOSCOSO 8-17-88	Tyco Electronics Corporation Harrisburg, PA 17105-3608	
DIMENSIONS: INCHES		CHK M.SNEED 9-12-88	NAME PLUG, SERIES SMA	
TOLERANCES UNLESS OTHERWISE SPECIFIED:		APVD —	PRODUCT SPEC —	
0 PLC ± -		APPLICATION SPEC —	SIZE A3	CAGE CODE 00779
1 PLC ± -		WEIGHT .134 OZ	DRAWING NO G-225532-3	RESTRICTED TO —
2 PLC ± -		CUSTOMER DRAWING		
3 PLC ± -		SCALE 5:1	SHEET 1 OF 1	REV G
4 PLC ± -				
ANGLES ± -				
FINISH —				