

THIS DRAWING IS UNPUBLISHED.

RELEASED FOR PUBLICATION

-. - .

LOC

DIST

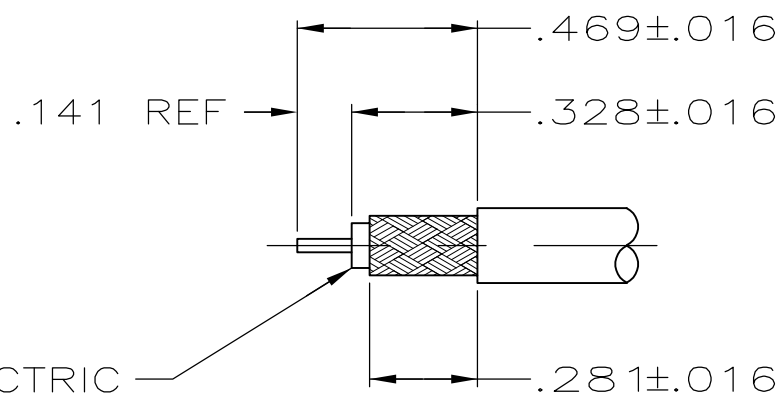
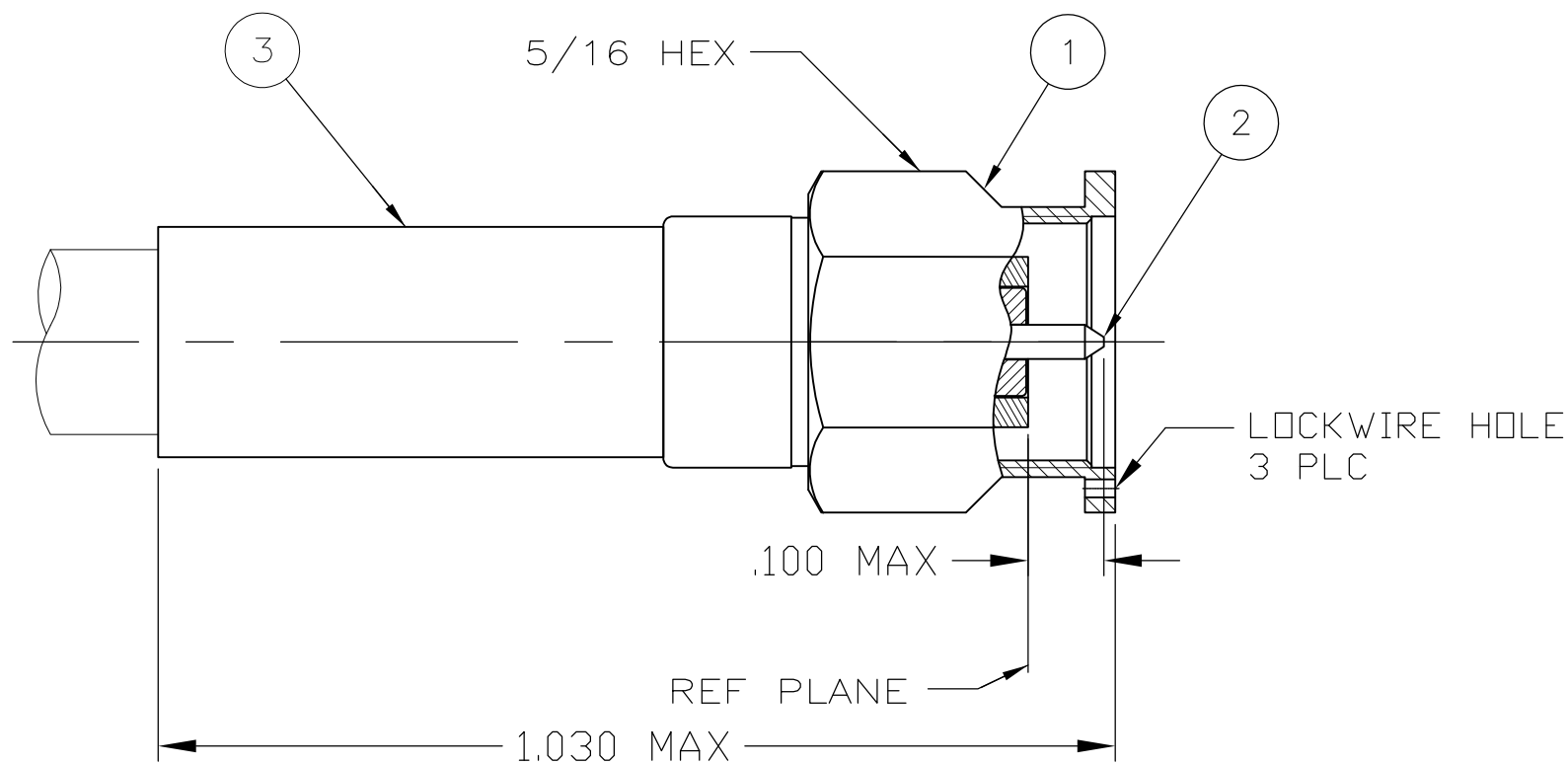
REVISIONS

© COPYRIGHT - By -

ALL RIGHTS RESERVED.

P	LTR	DESCRIPTION	DATE	DWN	APVD
	F1	REVISED PER ECO-11-005030	11MAR11	RK	HMR

1. FOR USE WITH: RG-55A/U & 58C/U CABLE
2. CRIMP WITH TOOL: 220061-1
3. SEE I.S. 2322
4. 00779 M39012/55B3021



CUT DIELECTRIC SQUARE

RECOMMENDED STRIP LENGTH SCALE: 2:1

QTY	PART NUMBER	DESCRIPTION	ITEM
1	225619-2	FERRULE	3
1	225540-2	CONTACT	2
1	225533-1	PLUG ASSEMBLY	1

THIS DRAWING IS A CONTROLLED DOCUMENT.		DWN L.A.MOSCOSO 8-17-88	STE TE Connectivity	
DIMENSIONS: INCHES		CHK M.SNEED 9-12-88		
TOLERANCES UNLESS OTHERWISE SPECIFIED:		APVD -	NAME PLUG, SERIES SMA	
0 PLC ± -		PRODUCT SPEC -	SIZE	
1 PLC ± -		APPLICATION SPEC -	CAGE CODE	DRAWING NO
2 PLC ± -		WEIGHT .141 OZ	A3 00779	C-225532-1
3 PLC ± -		CUSTOMER DRAWING	SCALE 5:1	SHEET 1 OF 1
4 PLC ± -			REV F1	
ANGLES ± -				
FINISH -				
MATERIAL -				