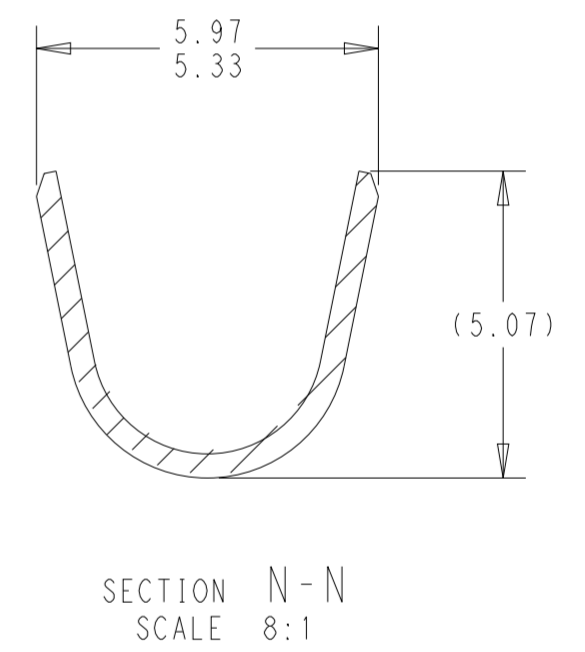
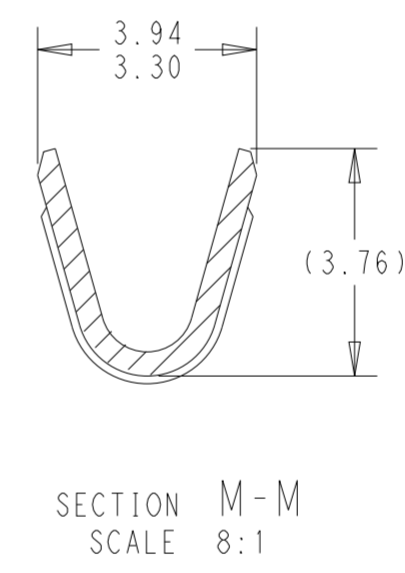
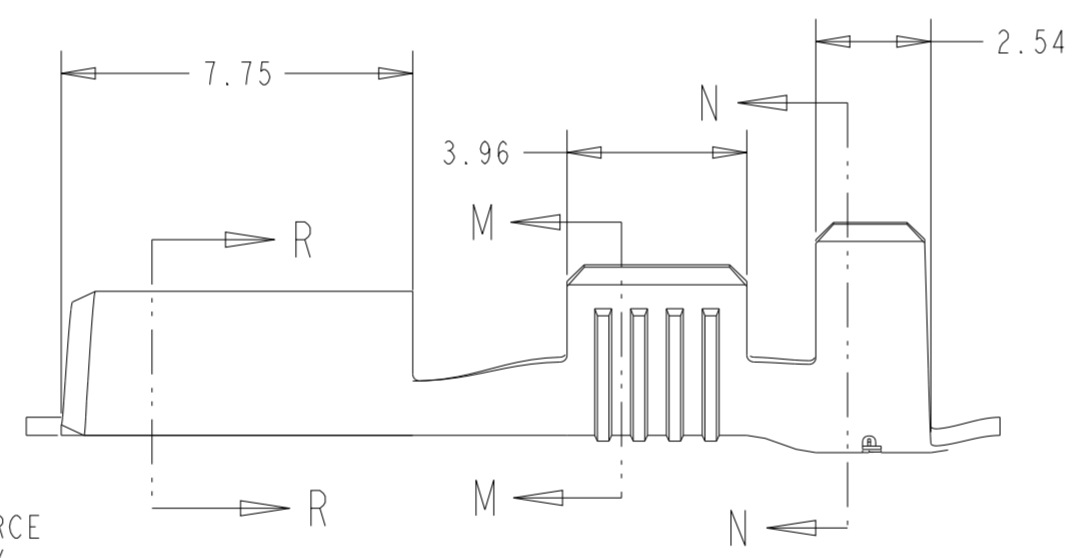
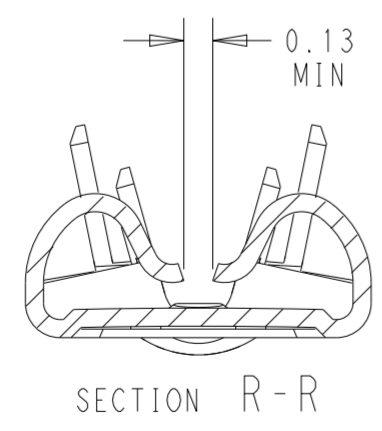
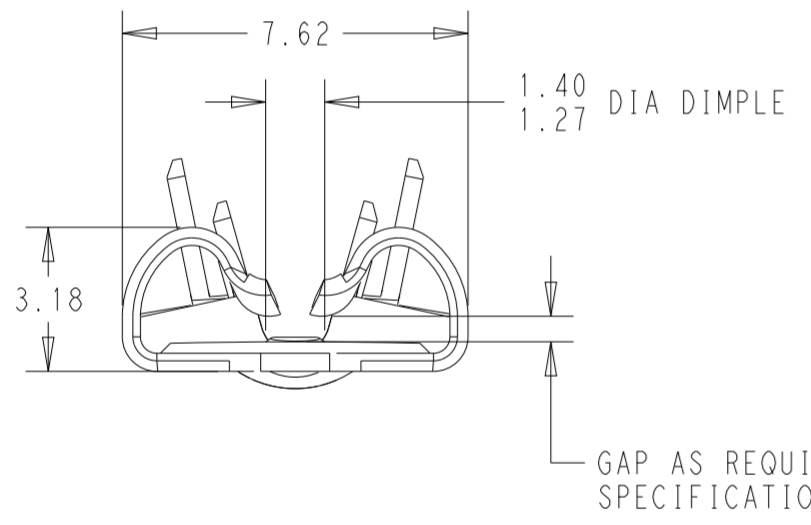
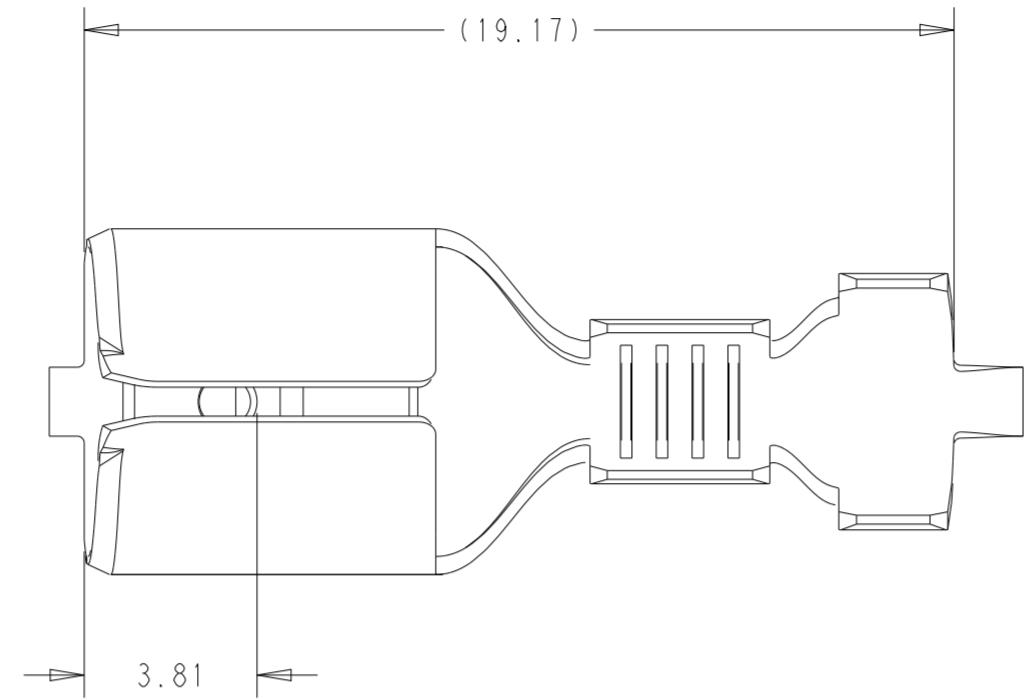


THIS DRAWING IS UNPUBLISHED. RELEASED FOR PUBLICATION 2023  
 © COPYRIGHT 2023 BY TE CONNECTIVITY ALL RIGHTS RESERVED.

REVISIONS					
P	LTR	DESCRIPTION	DATE	DWN	APVD
A2		REVISED PER ECR-20-009164	22JUL2020	MK	DH
A3		REVISED PER ECR-22-147599	08AUG2022	VA	EMS
A4		REVISED PER ECN-23-235723	18OCT2023	BKW	DH
A5		REVISED PER ECN-24-251700	08FEB2024	BKW	DH

1. CONTINUOUS STRIP ON REELS
2. WIRE SIZE IS #18-#14 AWG
3. INSULATION RANGE IS 3.05-4.32 DIA
4. MATING TAB THK IS 0.76-0.84
5. UL APPROVED FOR #18-#14 AWG



TIN	BRASS	5 2238196-3
FINISH	MATERIAL	PART NUMBER

THIS DRAWING IS A CONTROLLED DOCUMENT.		DWN B. WEAVER 05OCT2023	TE Connectivity	
DIMENSIONS: mm		CHK D. HUMPHREY 05OCT2023		
TOLERANCES UNLESS OTHERWISE SPECIFIED:		APVD W. MOYER 05OCT2023	NAME FASTON, 250 SERIES, STD, REC., STRAIGHT, F-CRP, AWG 18-14	
0 PLC ±		PRODUCT SPEC 108-5178	SIZE A2	
1 PLC ±		APPLICATION SPEC 114-2036	CAGE CODE 00779	DRAWING NO C-2238196
2 PLC ±0.25		WEIGHT -	RESTRICTED TO -	
3 PLC ±		CUSTOMER DRAWING	SCALE 6:1	SHEET 1 OF 1
4 PLC ±				REV A5
ANGLES ±5°				
FINISH				
MATERIAL SEE TABLE		SEE TABLE		