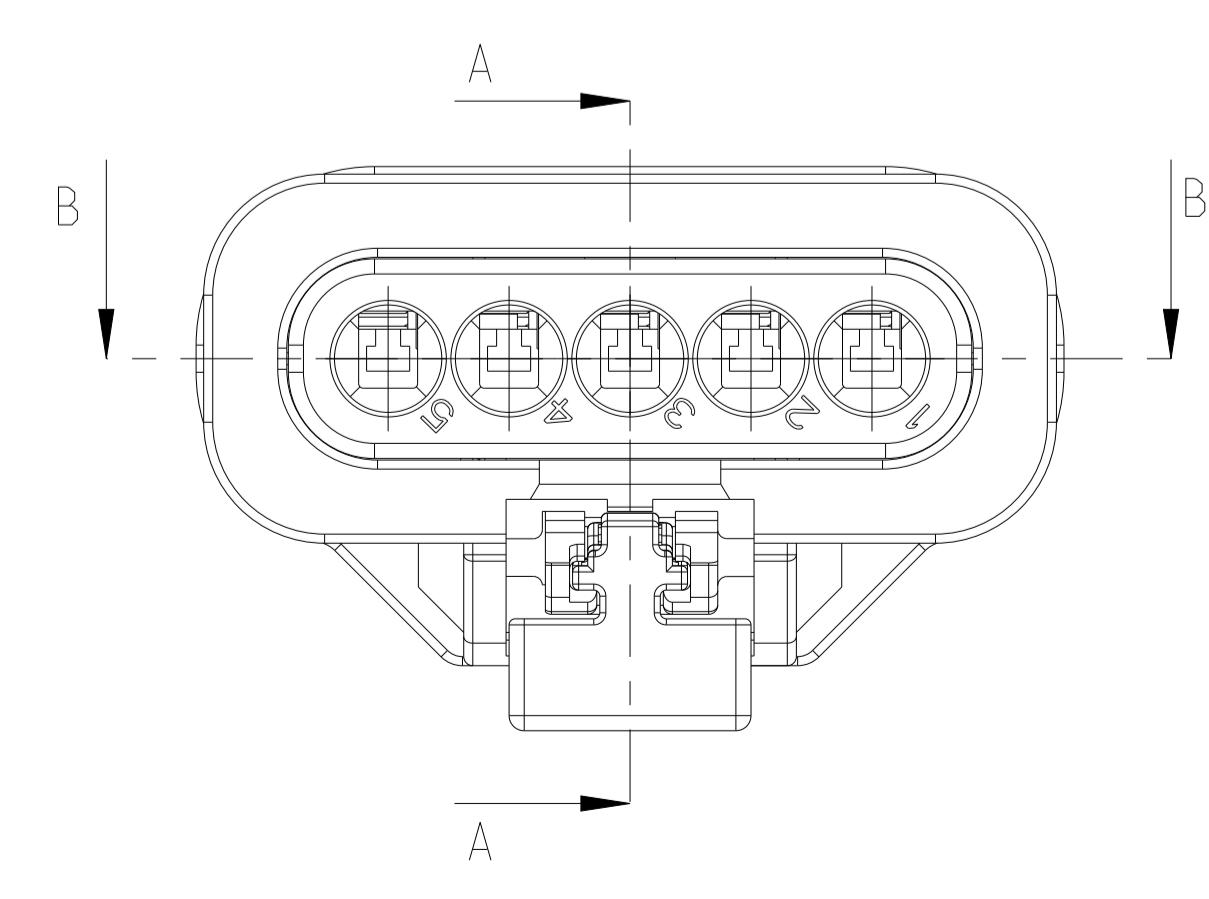
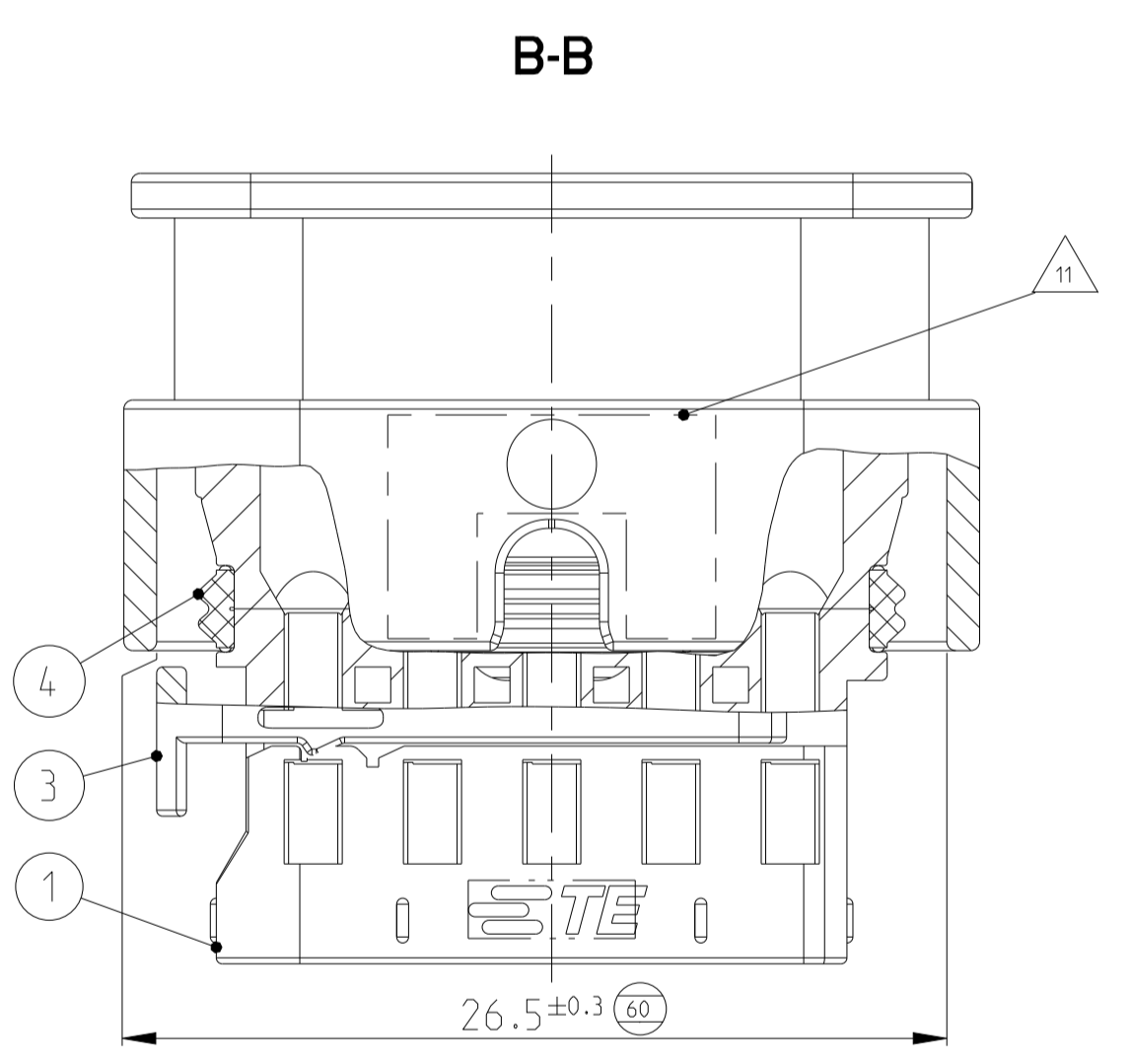
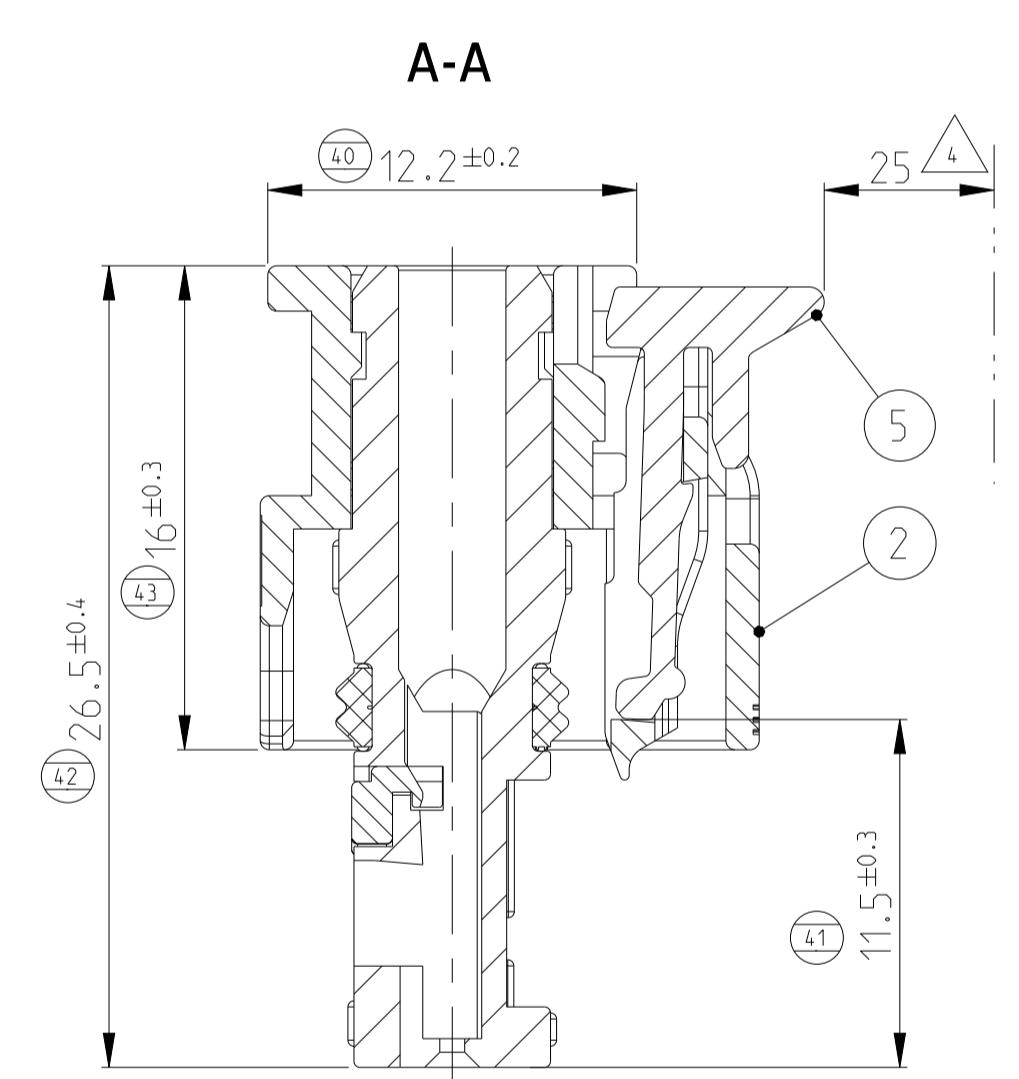
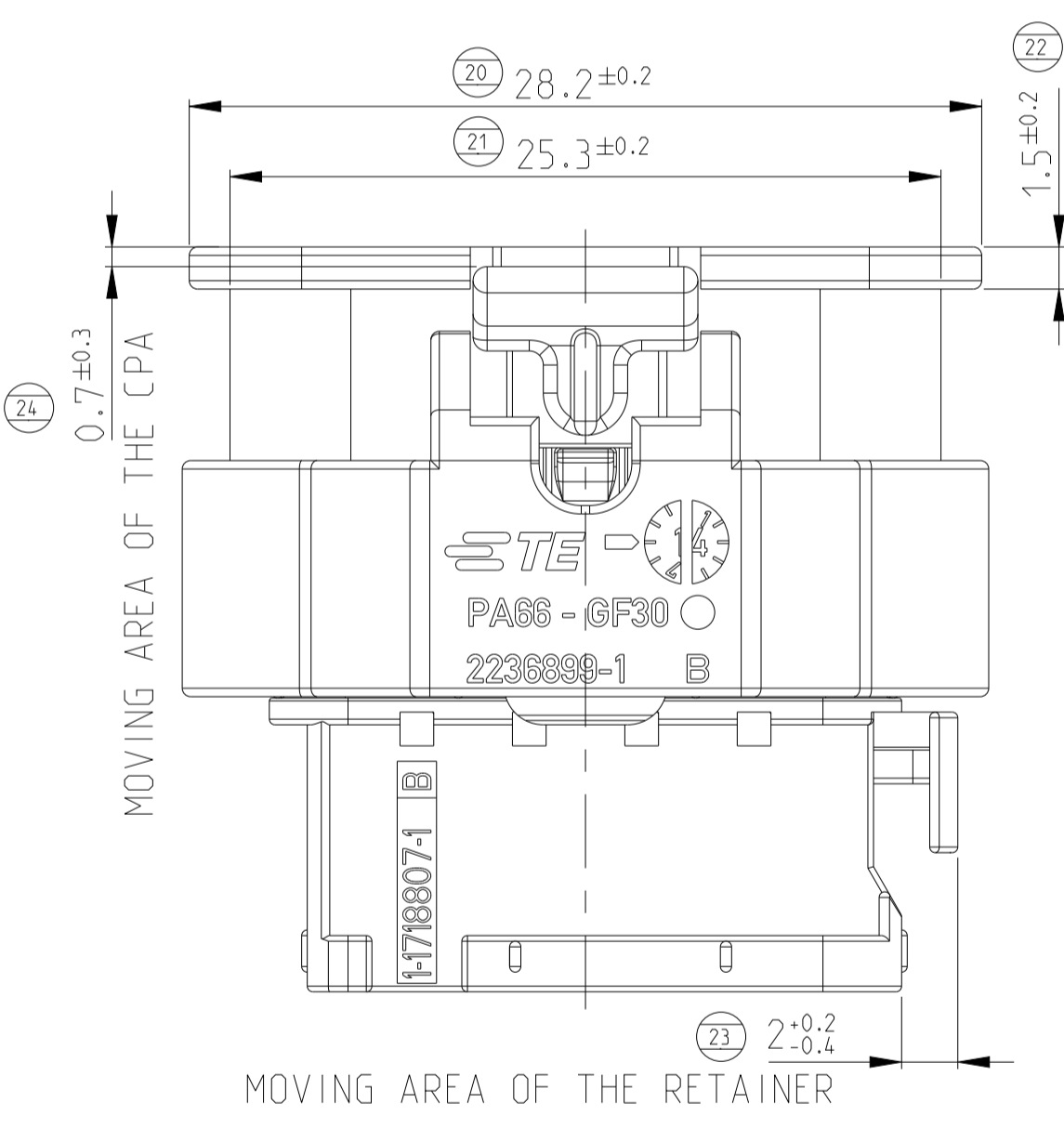
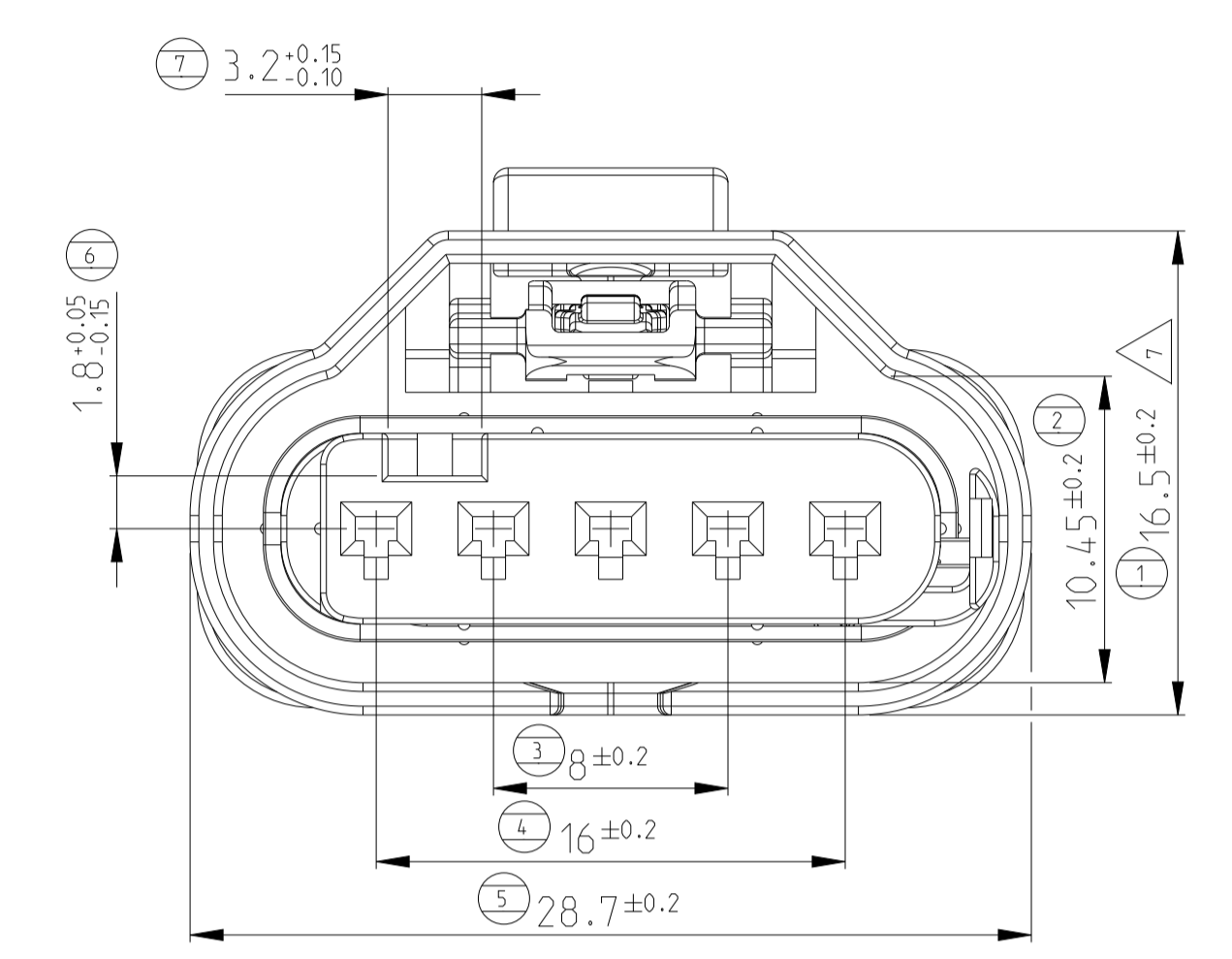


REVISIONS				
P.	LTN.	DESCRIPTION	DATE	APVD.
C1		REVISION INDEX CORRECTED	30.JUL.2016	SZN LSZ
D		OUT HSG CUTOUT, NEW PN ADDED TO BOM	21SEP2017	SZN RT
D1		ADDITIONAL INFO ON WIRE CROSSECT	29AUG2019	SZN LSZ
E		SEAL MATERIAL CHANGE	27JUL2022	SZN LSZ

- 1 USABLE CONTACTS MCON 1.2  
SEE TE Connectivity -NO. 1452674, VERSION SINGLE WIRE SEAL
- 2 MAX. WIRE SIZE RANGE 1.5 mm<sup>2</sup> FLR PERMITTED FOR CAVITY-Ø 3.55MM  
QUANTITY SEE WIRE HARNESS DRAWING FOR PERMISSIBLE CURRENT CARRYING CAPACITY OF THE SINGLE CONTACT  
SEE PRODUCT SPECIFICATION NO.108-18782
- 3 SUPPLIER-MARK
- 4 SPACE OF ACTIVITY
- 5 SUPPLY CONDITION: CPA IN PRELOCKED POSITION
- 6 SUPPLY CONDITION: RETAINER IN PRELOCKED POSITION
- 7 WARPAGE PERMITTED TO MAX. -0.5mm
- 8 TE Connectivity ORDER-NO.
- 9 ACCORDING TO INTERFACE DRAWING SEE TE-NO. 114-18679-3
- 10 VERSION WITH 180° TURNED INNER HSG.
- 11 AREA FOR PRINT
- 12 VERSION WITHOUT CPA
- 13 ASSEMBLY LINE SIGMENT IDENTIFICATION
- 14 PRODUCTION DATE CODE (DDYY)

CODING A AS SHOWN



TE-ORDER-NO.	COD	DESCRIPTION	REV	QTY	DESCRIPTION	MATERIAL	SURFACE/COLOR	ITEM
1-2236898-2	A	5pos. MCON 1.2 - LL Connector, Sealed	E	1	5pos. MCON 1.2 - Seal	SILICONE RUBBER	GREEN	4
				1	5pos. MCON 1.2 - Retainer	PA66-GF15	VIOLETT - SIMILAR TO RAL 4006	3
				1	5pos. MCON 1.2 - Protec. Cover	PA66-GF30	BLACK - SIMILAR TO RAL 9011	2
1-2236898-3	A	5pos. MCON 1.2 - LL Connector, Sealed	E	1	5pos. MCON 1.2 - Rec. Hsg	PA66-GF30	BLACK - SIMILAR TO RAL 9011	1
				1	MCON 1.2 - CPA	PBT GF33	RED	5
				1	5pos. MCON 1.2 - Seal	SILICONE RUBBER	GREEN	4
2-2236898-5	B	5pos. MCON 1.2 - LL Connector, Sealed	E	1	5pos. MCON 1.2 - Retainer	PA66-GF15	VIOLETT - SIMILAR TO RAL 4006	3
				1	5pos. MCON 1.2 - Protec. Cover	PA66-GF30	BLACK - SIMILAR TO RAL 9011	2
				1	5pos. MCON 1.2 - Rec. Hsg	PA66-GF30	BLACK - SIMILAR TO RAL 9011	1
1-2236898-5	A	5pos. MCON 1.2 - LL Connector, Sealed	E	1	MCON 1.2 - CPA	PBT GF33	RED	5
				1	5pos. MCON 1.2 - Seal	SILICONE RUBBER	GREEN	4
				1	5pos. MCON 1.2 - Retainer	PA66-GF15	VIOLETT - SIMILAR TO RAL 4006	3
2-2236898-1	B	5pos. MCON 1.2 - LL Connector, Sealed	E	1	5pos. MCON 1.2 - Protec. Cover	PA66-GF30	BLACK - SIMILAR TO RAL 9011	2
				1	5pos. MCON 1.2 - Rec. Hsg	PA66-GF30	BLACK - SIMILAR TO RAL 9011	1
				1	5pos. MCON 1.2 - Seal	SILICONE RUBBER	GREEN	4
1-2236898-1	A	5pos. MCON 1.2 - LL Connector, Sealed	E	1	5pos. MCON 1.2 - Retainer	PA66-GF15	VIOLETT - SIMILAR TO RAL 4006	3
				1	5pos. MCON 1.2 - Protec. Cover	PA66-GF30	BLACK - SIMILAR TO RAL 9011	2
				1	5pos. MCON 1.2 - Rec. Hsg	PA66-GF30	BLACK - SIMILAR TO RAL 9011	1

TOLERANCES UNLESS OTHERWISE SPECIFIED ACC. TO DIN 16901-140@CENTRIC TO NOMINAL DIMENSION, EDITION 1982-11 SHALL APPLY.  
Toleranzangaben nach DIN 16901-140@. Es gilt die Ausgabe 1982-11.

PRODUCT CHARACTERISTICS ACC. QMP EMEA\_12  
BESONDERE MERKMALE NACH QMP EMEA\_12

THIS DRAWING IS A CONTROLLED DOCUMENT.

DIMENSIONS:	TOLERANCES UNLESS OTHERWISE SPECIFIED:	OWN: S2_Nemes 30JAN2014	
mm	0 PLC ±	CHK: G.BENCZUC 30JAN2014	
	1 PLC ±	APPV: G.BENCZUC 30JAN2014	
	2 PLC ±	PRODUCT SPEC	

NAME: 5pos. MCON 1.2 - LL Connector, Sealed

SIZE: A1 CAGE CODE: 00779 DRAWING NO: C=2236898

RESTRICTED TO: -

CUSTOMER DRAWING SCALE: 11:1 SHEET: 1 OF 1 REV: E