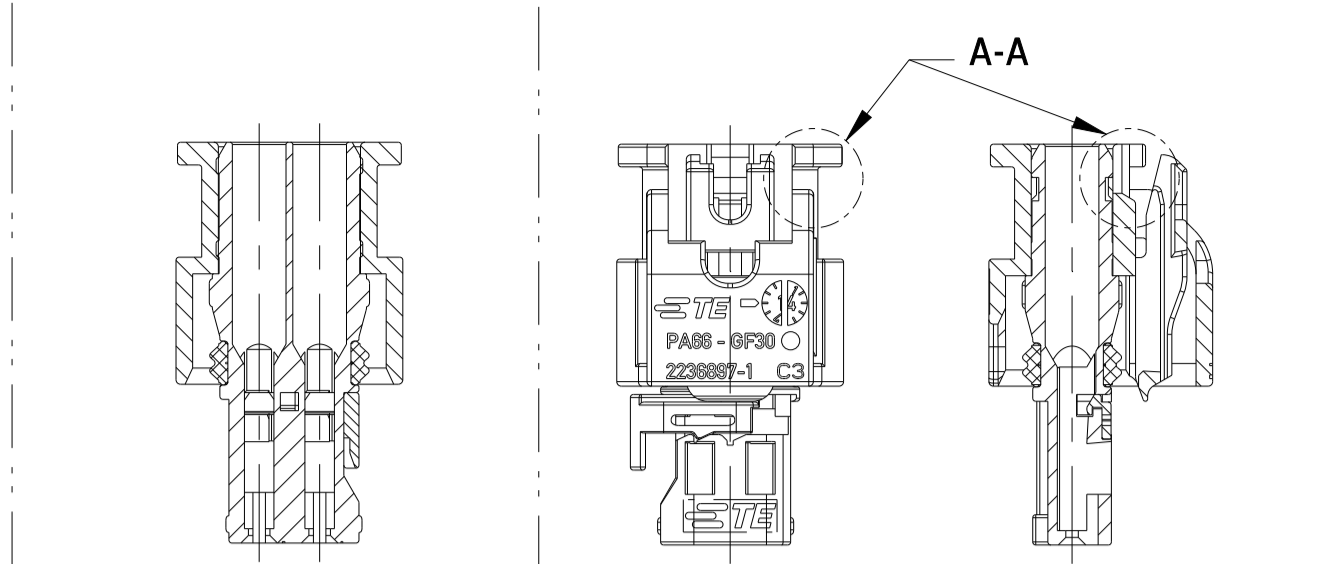
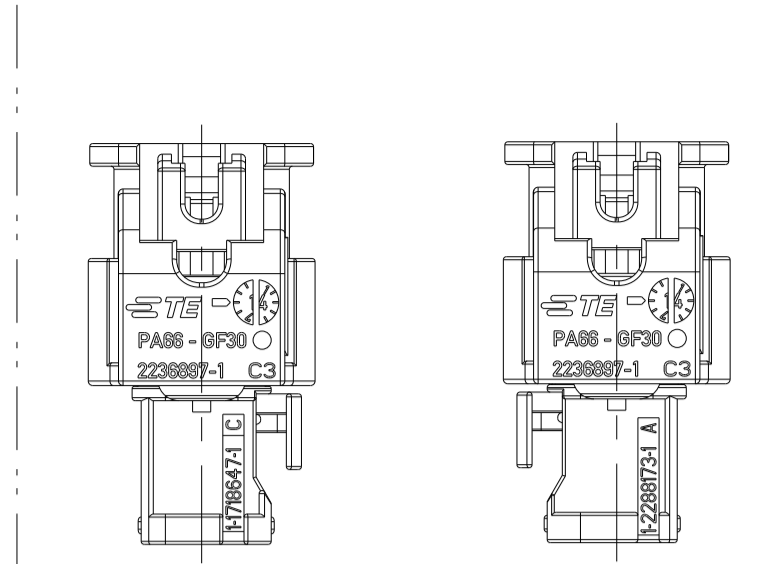


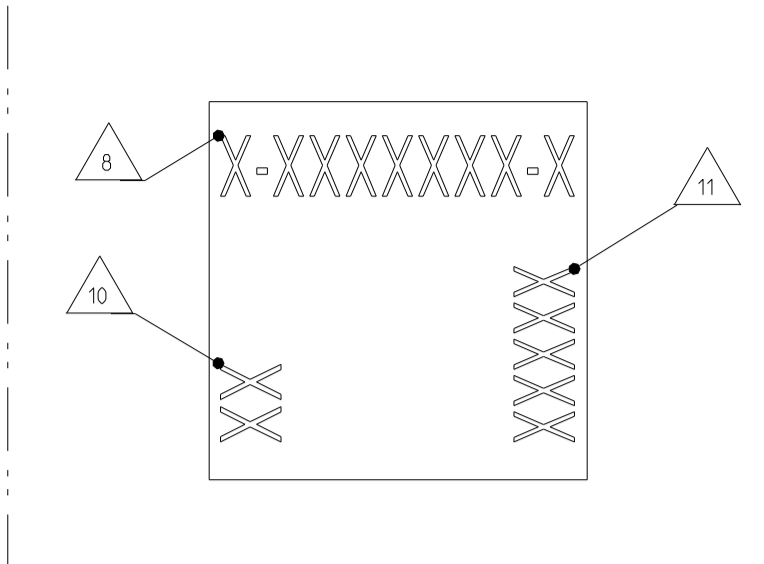
RETAINER IN PRE-LOCK POSITION: 2:1
X-2236896-3 12



VERSION WITHOUT CPA: 2:1 14



AREA FOR PRINT: 6:1 13

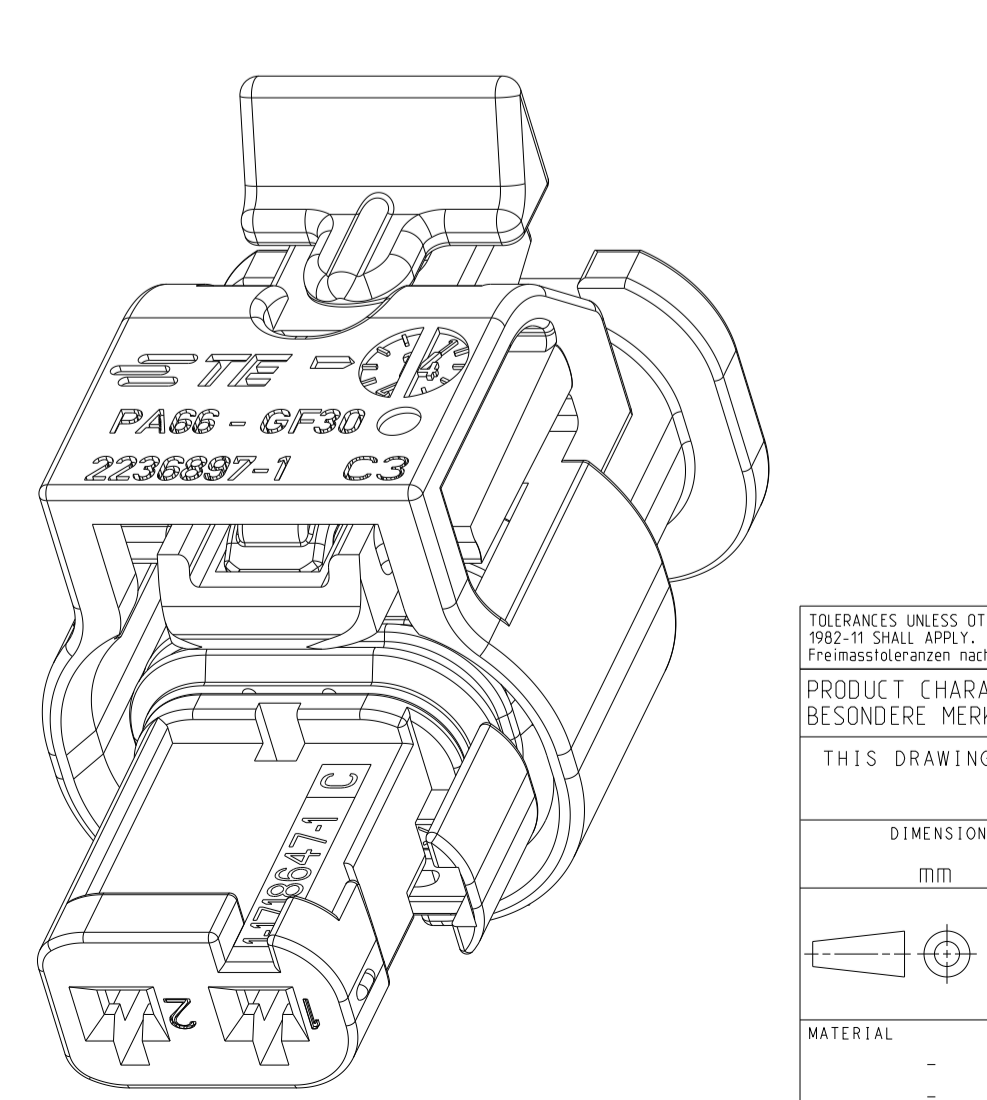
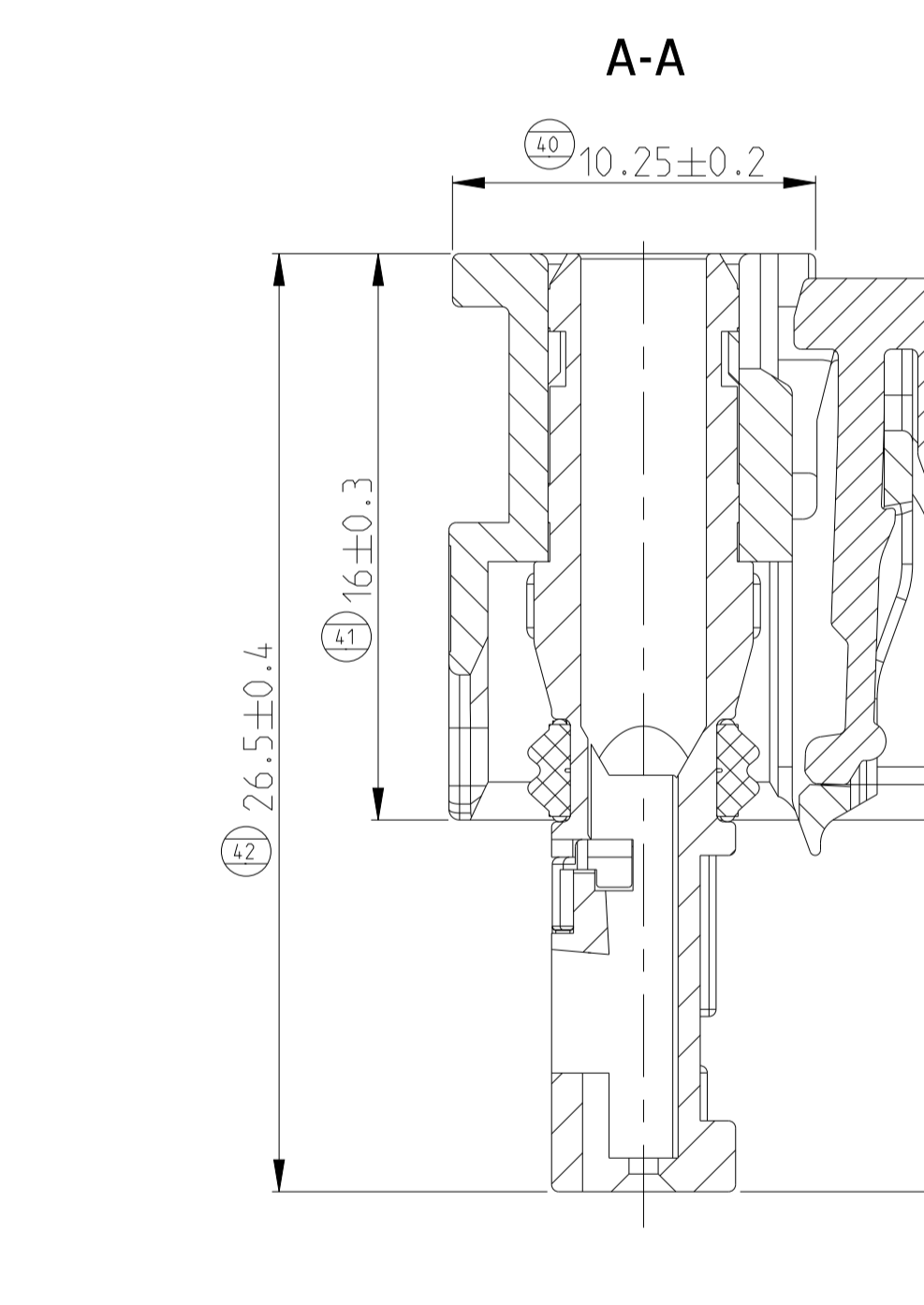
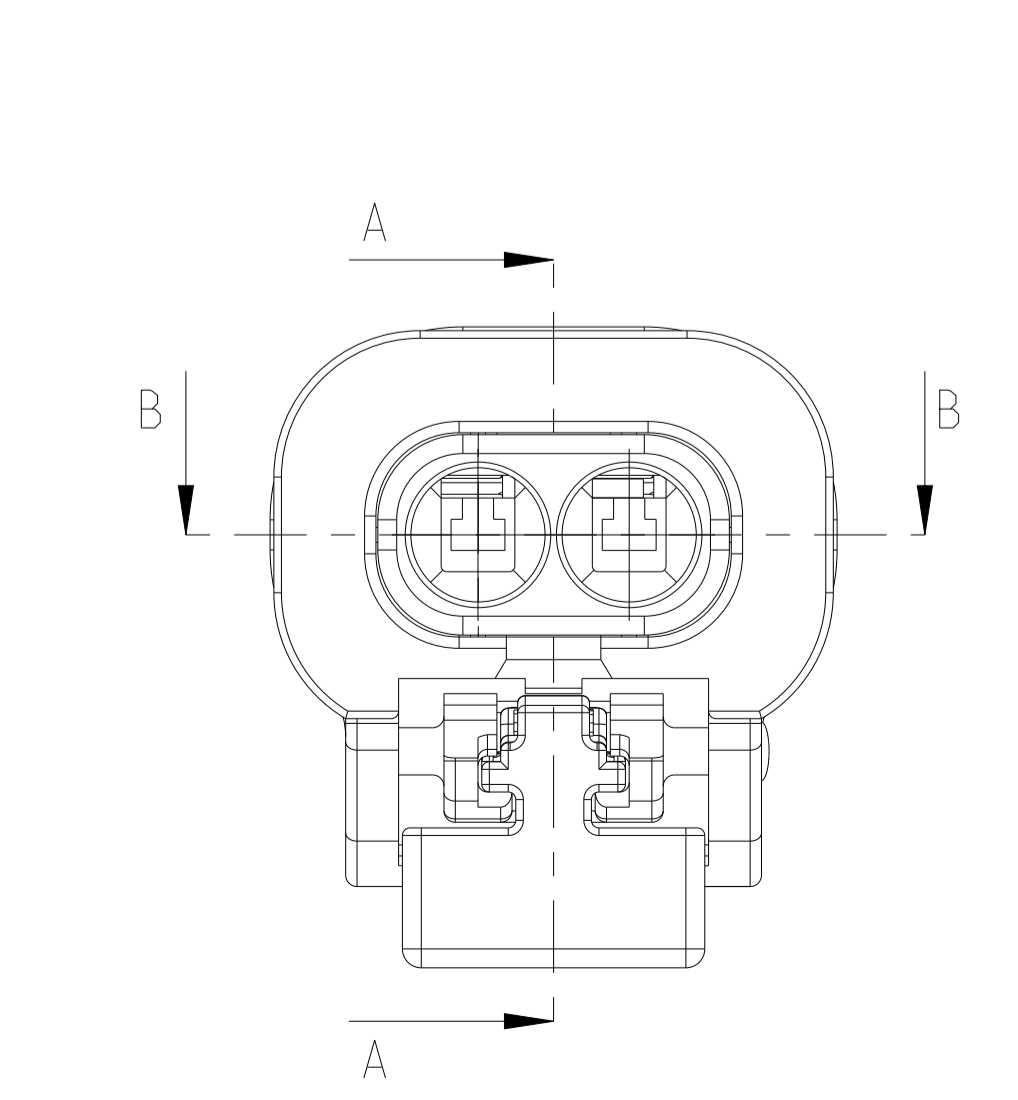
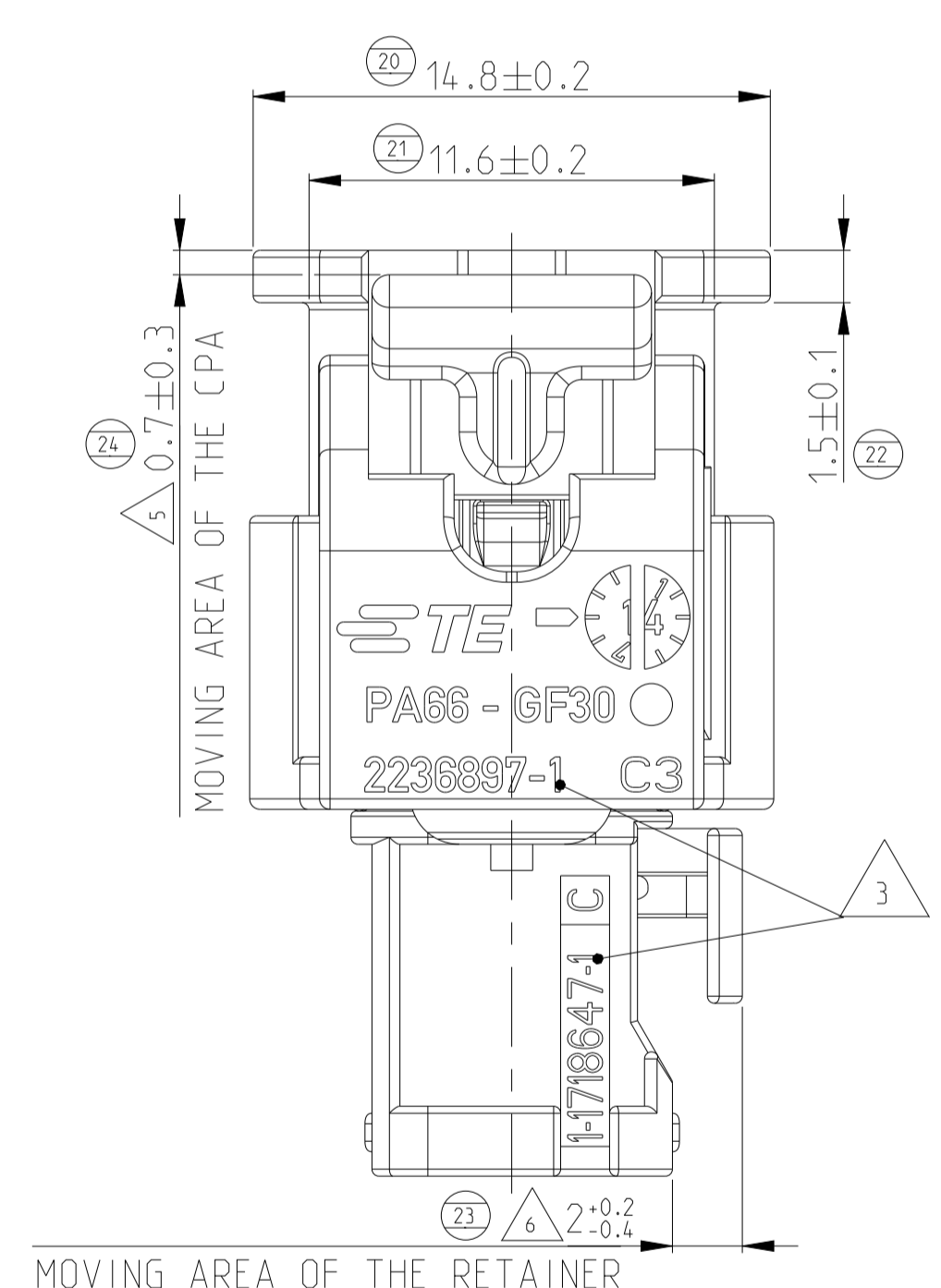
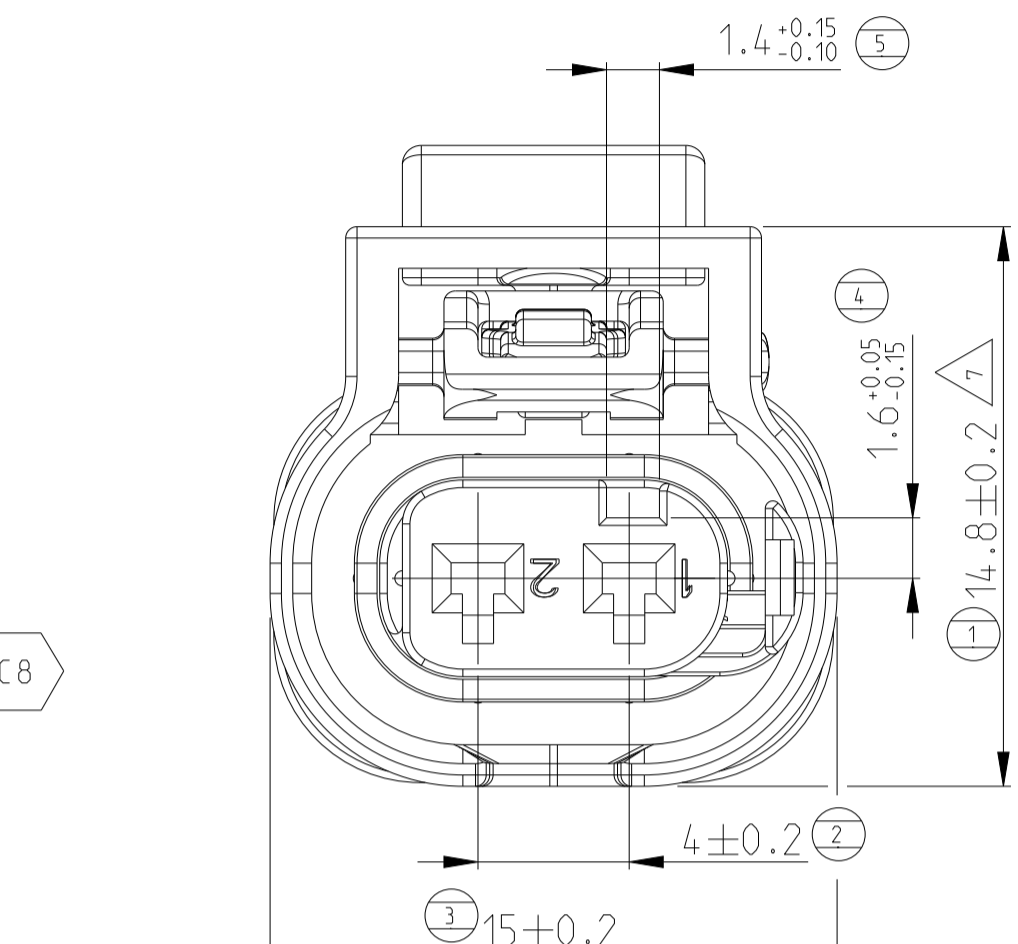


REVISIONS				
P	LTN	DESCRIPTION	DATE	DMN APVD
C7		ADDITIONAL VERSION	08JUN2017	RT SZG
C8		BOM COLOR CORRECTION	09NOV2017	GK RT
C9		ADDITIONAL INFO ON WIRE CROSSSECTION	29AUG2019	SZN LSZ
D		SEAL MATERIAL CHANGE	26JUL2022	SZN LSZ

- USABLE CONTACTS MCON 1.2
SEE TE Connectivity -NO. 1452674, VERSION SINGLE WIRE SEAL
- MAX. WIRE SIZE RANGE 1.5 mm² FLR PERMITTED FOR CAVITY-Ø 3.55MM
QUANTITY SEE WIRE HARNESS DRAWING
FOR PERMISSIBLE CURRENT CARRYING CAPACITY OF THE SINGLE CONTACT
SEE PRODUCT SPECIFICATION NO.108-18782
- SUPPLIER-MARK
- SPACE OF ACTIVITY
- SUPPLY CONDITION: CPA IN PRELOCKED POSITION
- SUPPLY CONDITION: RETAINER IN PRELOCKED POSITION
- WARPAGE PERMITTED TO MAX. -0.5mm
- TE Connectivity ORDER-NO.
- ACCORDING TO INTERFACE DRAWING SEE TE-NO. 114-18679-3
- ASSEMBLY LINE SEGMENT IDENTIFICATION
- DATE CODE (ODDYY)
- VERSION WITH 180° TURNED INNER HSG.
- AREA FOR PRINT
- VERSION WITHOUT CPA

CODING AS SHOWN

TE-ORDER-NO.	COD	DESCRIPTION	REV	QTY	DESCRIPTION	MATERIAL	SURFACE/COLOR	ITEM
4-2236896-3	D	2pos. MCON 1.2 - LL Connector Sealed	D	1	2pos. MCON 1.2 - Seal	SILICONE RUBBER	GREEN	4
				1	2pos. MCON 1.2 - Retainer	PA66-GF15	VIOLETT - SIMILAR TO RAL 4006	3
				1	2pos. MCON 1.2 - Protec. Cover	PA66-GF30	BLACK - SIMILAR TO RAL 9011	2
				1	2pos. MCON 1.2 - Rec. Housing	PA66-GF30	VIOLETT - SIMILAR TO RAL 4004	1
5-2236896-5	E	2pos. MCON 1.2 - LL Connector Sealed	D	1	CPA. MCON 1.2	PBT GF33	RED	5
				1	2pos. MCON 1.2 - Seal	SILICONE RUBBER	GREEN	4
				1	2pos. MCON 1.2 - Retainer	PA66-GF15	VIOLETT - SIMILAR TO RAL 4006	3
				1	2pos. MCON 1.2 - Protec. Cover	PA66-GF30	BLACK - SIMILAR TO RAL 9011	2
4-2236896-5	D	2pos. MCON 1.2 - LL Connector Sealed	D	1	2pos. MCON 1.2 - Rec. Housing	PA66-GF30	GREEN	1
				1	CPA. MCON 1.2	PBT GF33	RED	5
				1	2pos. MCON 1.2 - Seal	SILICONE RUBBER	GREEN	4
				1	2pos. MCON 1.2 - Retainer	PA66-GF15	VIOLETT - SIMILAR TO RAL 4006	3
4-2236896-1	D	2pos. MCON 1.2 - LL Connector Sealed	D	1	2pos. MCON 1.2 - Protec. Cover	PA66-GF30	BLACK - SIMILAR TO RAL 9011	2
				1	2pos. MCON 1.2 - Rec. Housing	PBT GF33	VIOLETT - SIMILAR TO RAL 4004	1
				1	2pos. MCON 1.2 - Seal	SILICONE RUBBER	GREEN	4
				1	2pos. MCON 1.2 - Retainer	PA66-GF15	VIOLETT - SIMILAR TO RAL 4006	3
3-2236896-5	C	2pos. MCON 1.2 - LL Connector Sealed	D	1	2pos. MCON 1.2 - Protec. Cover	PA66-GF30	BLACK - SIMILAR TO RAL 9011	2
				1	2pos. MCON 1.2 - Rec. Housing	PA66-GF30	BLUE - SIMILAR TO RAL5012	1
				1	CPA. MCON 1.2	PBT GF33	RED	5
				1	2pos. MCON 1.2 - Seal	SILICONE RUBBER	GREEN	4
2-2236896-5	B	2pos. MCON 1.2 - LL Connector Sealed	D	1	2pos. MCON 1.2 - Rec. Housing	PA66-GF30	BLACK - SIMILAR TO RAL 9011	1
				1	2pos. MCON 1.2 - Protec. Cover	PA66-GF30	NATURE	1
				1	2pos. MCON 1.2 - Retainer	PA66-GF15	VIOLETT - SIMILAR TO RAL 4006	3
				1	2pos. MCON 1.2 - Seal	SILICONE RUBBER	GREEN	4
1-2236896-5	A	2pos. MCON 1.2 - LL Connector Sealed	D	1	2pos. MCON 1.2 - Rec. Housing	PA66-GF30	BLACK - SIMILAR TO RAL 9011	1
				1	2pos. MCON 1.2 - Protec. Cover	PA66-GF30	BLACK - SIMILAR TO RAL 9011	2
				1	2pos. MCON 1.2 - Retainer	PA66-GF15	VIOLETT - SIMILAR TO RAL 4006	3
				1	2pos. MCON 1.2 - Seal	SILICONE RUBBER	GREEN	4
1-2236896-3	A	2pos. MCON 1.2 - LL Connector Sealed	D	1	2pos. MCON 1.2 - Rec. Housing	PA66-GF30	BLACK - SIMILAR TO RAL 9011	1
				1	2pos. MCON 1.2 - Protec. Cover	PA66-GF30	BLACK - SIMILAR TO RAL 9011	2
				1	2pos. MCON 1.2 - Retainer	PA66-GF15	VIOLETT - SIMILAR TO RAL 4006	3
				1	2pos. MCON 1.2 - Seal	SILICONE RUBBER	GREEN	4
3-2236896-1	C	2pos. MCON 1.2 - LL Connector Sealed	D	1	2pos. MCON 1.2 - Rec. Housing	PA66-GF30	BLUE - SIMILAR TO RAL5012	1
				1	2pos. MCON 1.2 - Protec. Cover	PA66-GF30	BLACK - SIMILAR TO RAL 9011	2
				1	2pos. MCON 1.2 - Retainer	PA66-GF15	VIOLETT - SIMILAR TO RAL 4006	3
				1	2pos. MCON 1.2 - Seal	SILICONE RUBBER	GREEN	4
2-2236896-1	B	2pos. MCON 1.2 - LL Connector Sealed	D	1	2pos. MCON 1.2 - Rec. Housing	PA66-GF30	BLACK - SIMILAR TO RAL 9011	1
				1	2pos. MCON 1.2 - Protec. Cover	PA66-GF30	NATURE	1
				1	2pos. MCON 1.2 - Retainer	PA66-GF15	VIOLETT - SIMILAR TO RAL 4006	3
				1	2pos. MCON 1.2 - Seal	SILICONE RUBBER	GREEN	4
1-2236896-1	A	2pos. MCON 1.2 - LL Connector Sealed	D	1	2pos. MCON 1.2 - Rec. Housing	PA66-GF30	BLACK - SIMILAR TO RAL 9011	1
				1	2pos. MCON 1.2 - Protec. Cover	PA66-GF30	BLACK - SIMILAR TO RAL 9011	2
				1	2pos. MCON 1.2 - Retainer	PA66-GF15	VIOLETT - SIMILAR TO RAL 4006	3
				1	2pos. MCON 1.2 - Seal	SILICONE RUBBER	GREEN	4



DIMENSIONS: mm		TOLERANCES UNLESS OTHERWISE SPECIFIED:		DMN: Sz.Nemes 30JAN2014 CHY: G.Bencur 30JAN2014 APVD: G.Benczur 30JAN2014 PRODUCT SPEC: 108-18969-3 APPLICATION SPEC: 114-18861	
MATERIAL: -		FINISH: -		WEIGHT: - CUSTOMER DRAWING: -	
THIS DRAWING IS A CONTROLLED DOCUMENT.		DIMENSIONS: 0 PLC ±, 1 PLC ±, 2 PLC ±, 3 PLC ±, 4 PLC ±, ANGLES FINISH: ±0°		NAME: MCON 1.2mm 2pos Sealed Connector (High temp.) SIZE: A1 CAGE CODE: 00779 DRAWING NO: C-2236896 SCALE: 4:1 SHEET: 1 OF 1 REV: D	