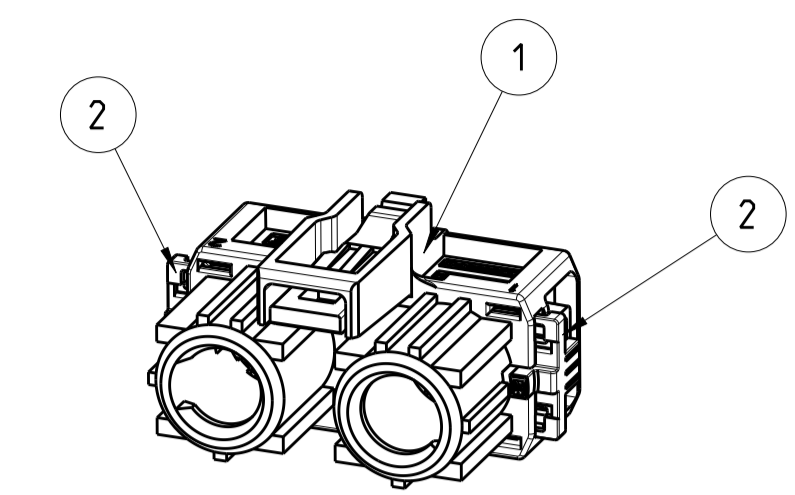
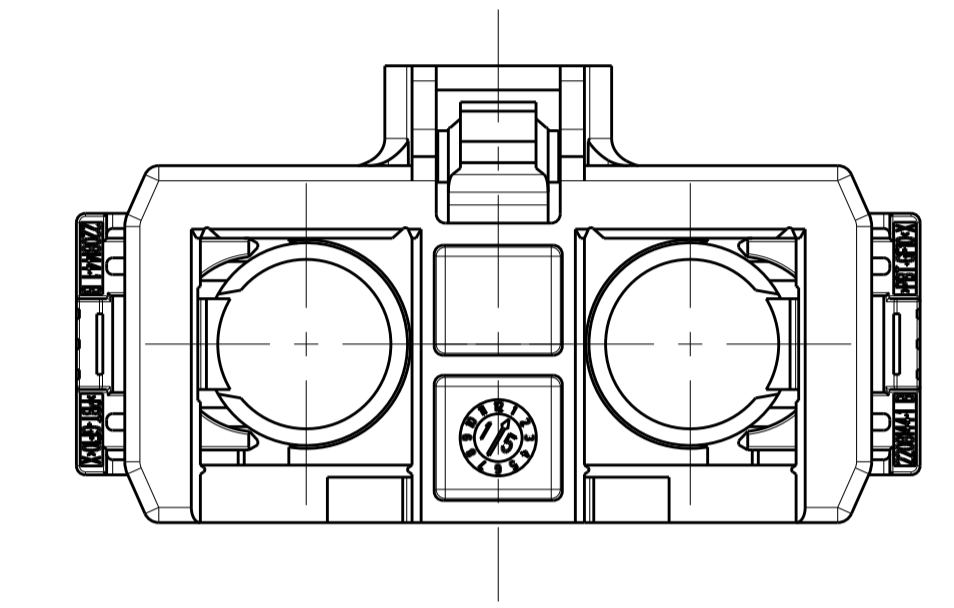
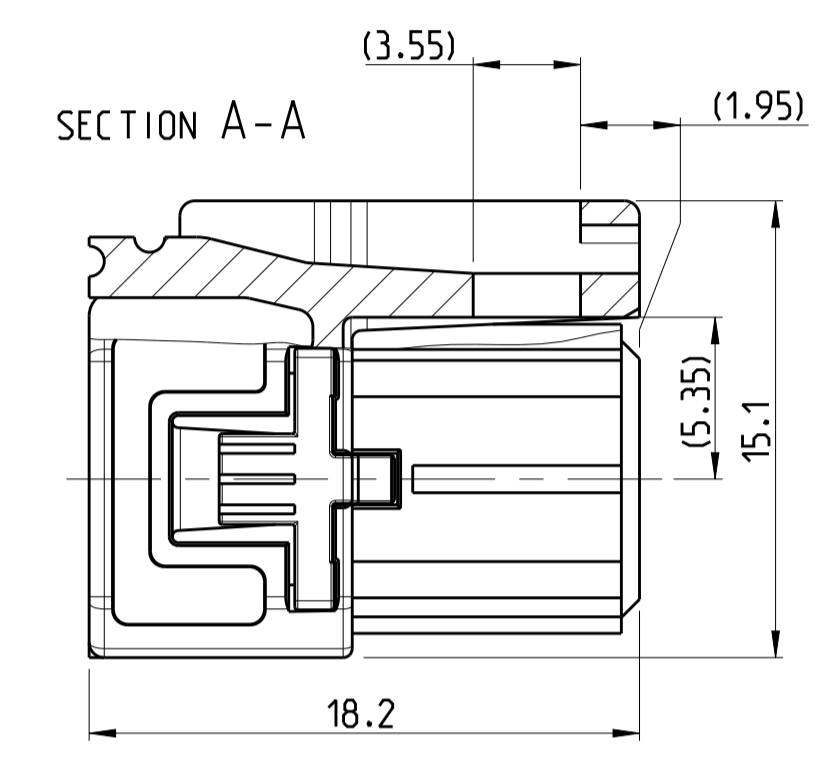
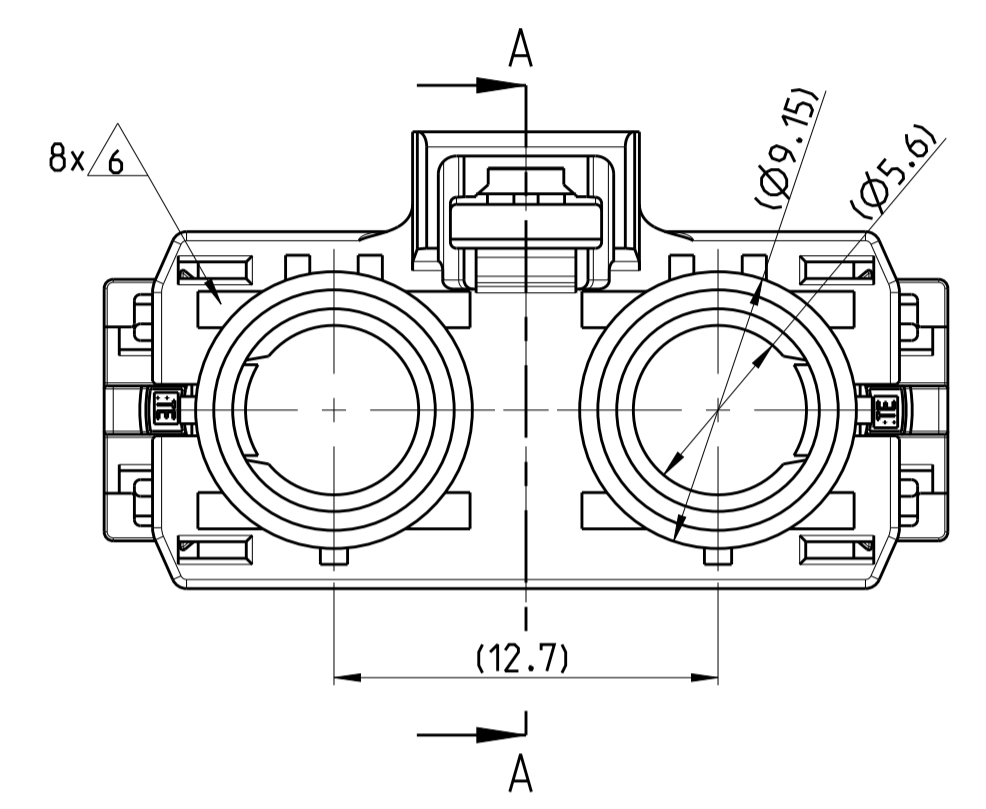
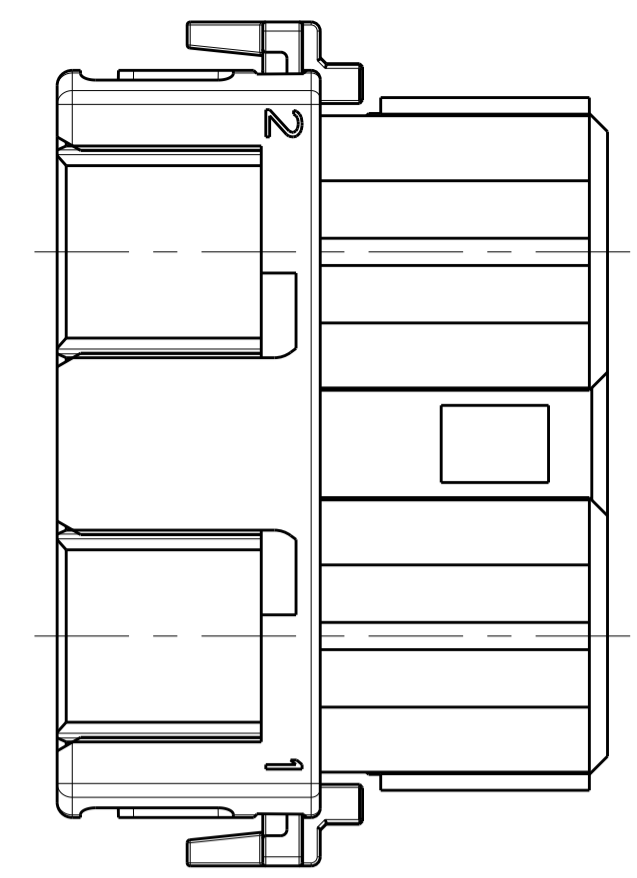
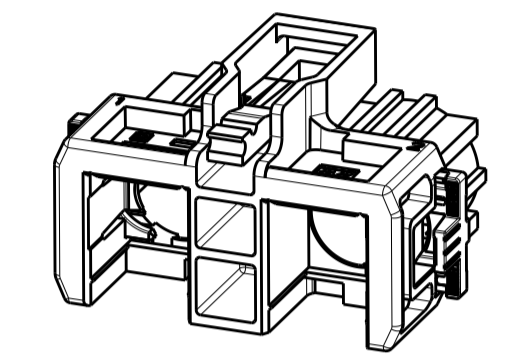


REVISIONS				
P. LTR	DESCRIPTION	DATE	DWN	APVD
B1	SEE E-14-006866	05SEP2014	MV	MV
B2	SEE ECR-16-007347	20MAY2016	PB	GV



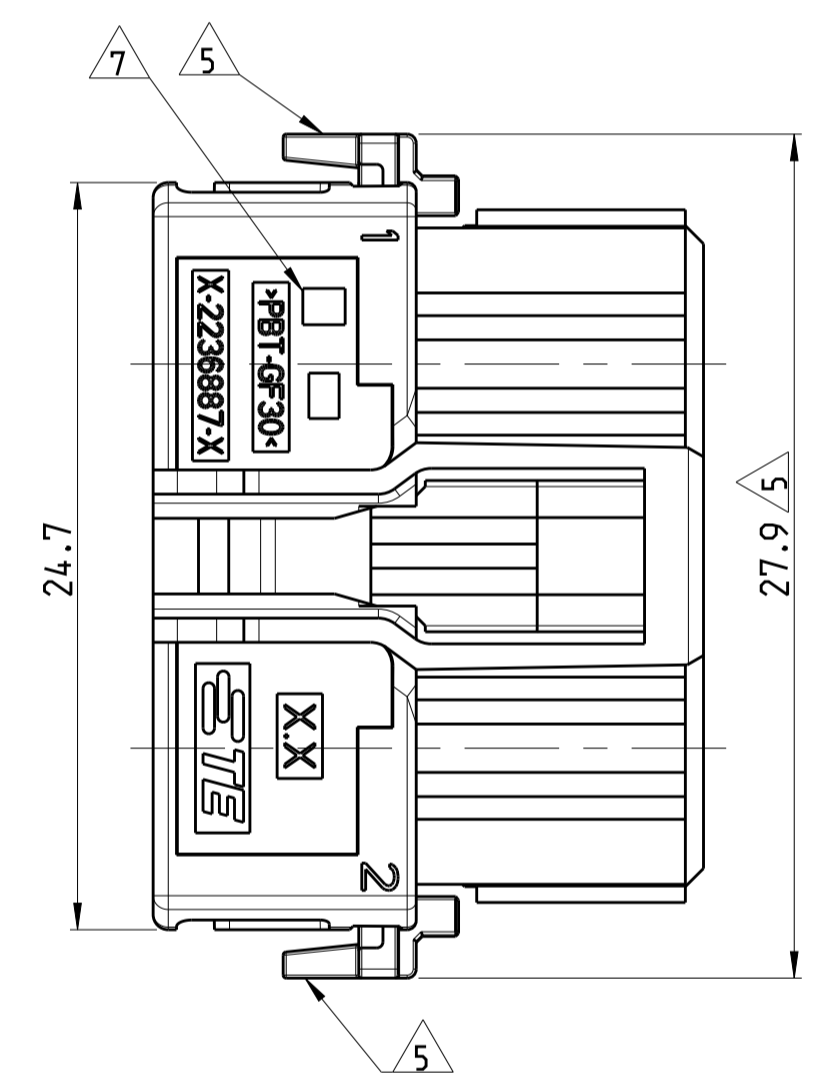
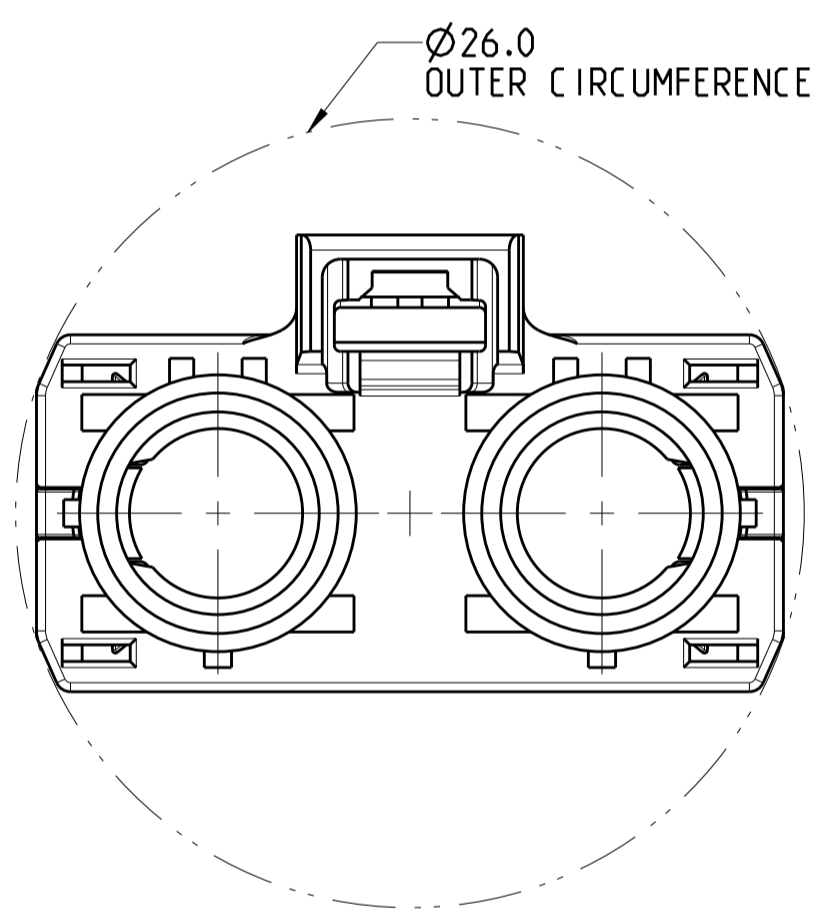
SCALE 2:1



NOTES:

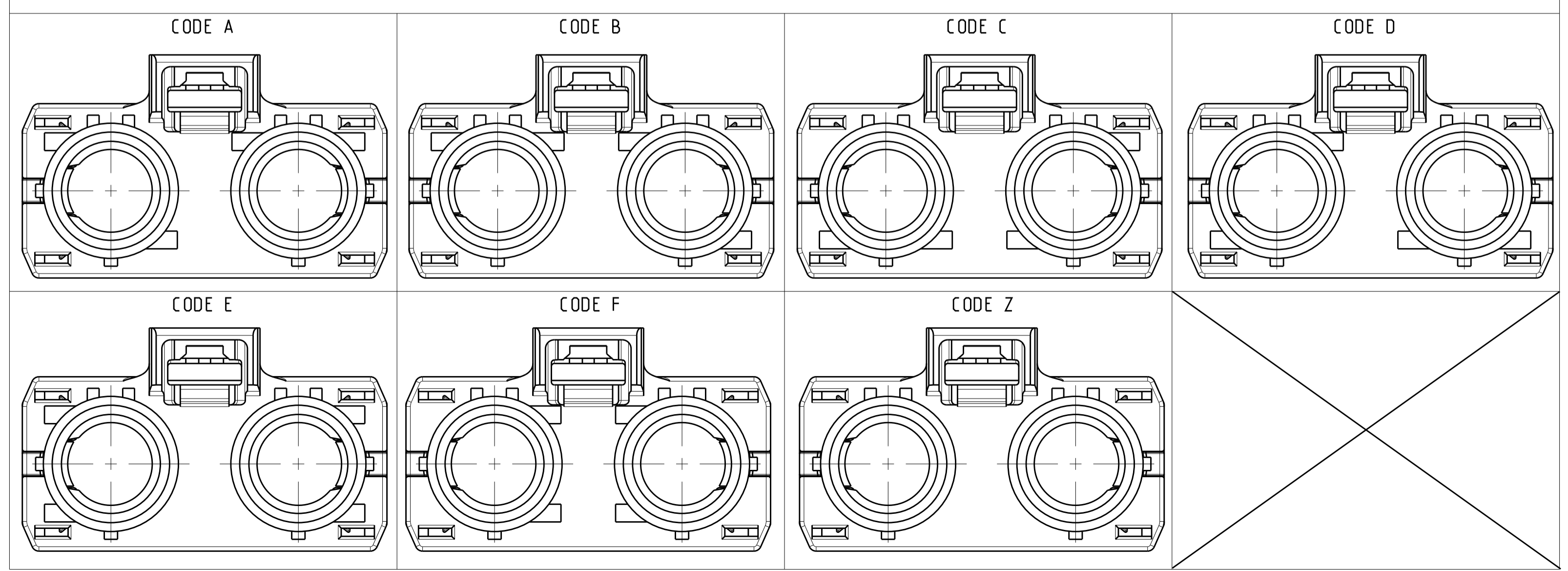
- 1 PACKAGING: BULK IN PE-BAG PACKED IN CARTON.
- 2 DETAILS OF DESIGN ARE LEFT TO TE CONNECTIVITY
- 3 HSD INTERFACE ACC. TO 4E0.900.962.B
- 4 ALL DIMENSIONS IN BRACKETS () FOR INFORMATION ONLY.
- 5 CONDITION AS SUPPLIED: RETAINER IN PRE LOCKED POSITION.
- 6 CODINGS AS SHOWN IN TABLE
- 7 SUPPLIER REVISION INDEX SEE PART REVISION

ALL CODINGS RIBS SOWN WITH BOTTOM SIDE CABLE EXIT



CABLE EXIT DIRECTION	SIMILAR RAL	COLOR	MATERIAL	PART DESC.	POS.	CODING	REV.	TE PART NO
TOP SIDE	5021	WATER BLUE	PBT-GF30	HOUSING	1			
	4006	VOILET	PBT-GF10	RETAINER	2	Z	B	1-2236888-9
	8011	BROWN	PBT-GF30	HOUSING	1	F	B	1-2236888-6
	4006	VOILET	PBT-GF10	RETAINER	2			
	6002	GREEN	PBT-GF30	HOUSING	1	E	B	1-2236888-5
	4006	VOILET	PBT-GF10	RETAINER	2			
	4004	BORDEAUX	PBT-GF30	HOUSING	1	D	B	1-2236888-4
	4006	VOILET	PBT-GF10	RETAINER	2			
	5005	BLUE	PBT-GF30	HOUSING	1	C	B	1-2236888-3
	4006	VOILET	PBT-GF10	RETAINER	2			
BOTTOM SIDE	9001	WHITE	PBT-GF30	HOUSING	1	B	B	1-2236888-2
	4006	VOILET	PBT-GF10	RETAINER	2			
	9005	BLACK	PBT-GF30	HOUSING	1	A	B	1-2236888-1
	4006	VOILET	PBT-GF10	RETAINER	2			
	5021	WATER BLUE	PBT-GF30	HOUSING	1	Z	B	2236888-9
	4006	VOILET	PBT-GF10	RETAINER	2			
	8011	BROWN	PBT-GF30	HOUSING	1	F	B	2236888-6
	4006	VOILET	PBT-GF10	RETAINER	2			
	6002	GREEN	PBT-GF30	HOUSING	1	E	B	2236888-5
	4006	VOILET	PBT-GF10	RETAINER	2			
4004	BORDEAUX	PBT-GF30	HOUSING	1	D	B	2236888-4	
4006	VOILET	PBT-GF10	RETAINER	2				
5005	BLUE	PBT-GF30	HOUSING	1	C	B	2236888-3	
4006	VOILET	PBT-GF10	RETAINER	2				
9001	WHITE	PBT-GF30	HOUSING	1	B	B	2236888-2	
4006	VOILET	PBT-GF10	RETAINER	2				
9005	BLACK	PBT-GF30	HOUSING	1	A	B	2236888-1	
4006	VOILET	PBT-GF10	RETAINER	2				

CODINGS 6



THIS DRAWING IS A CONTROLLED DOCUMENT. DIMENSIONS: mm. TOLERANCES UNLESS OTHERWISE SPECIFIED: 0 PLC ±0.5, 1 PLC ±, 2 PLC ±, 3 PLC ±, 4 PLC ±, ANGLES FINISH ±.

DMN: SUBHASH.M 19NOV2013, CHE: M.VE.IHL 19NOV2013, APVD: LIGASSAUER 19NOV2013, PRODUCT SPEC.

NAME: 8POS. HSD. REC. HSG. TWIN 90 12.7. ASSY. SIZE: A1, CAGE CODE: 00779, DRAWING NO: C-2236888, RESTRICTED TO: 1 OF 1, REV: B2.

SCALE: 4:1, SHEET: 1 OF 1, REV: B2