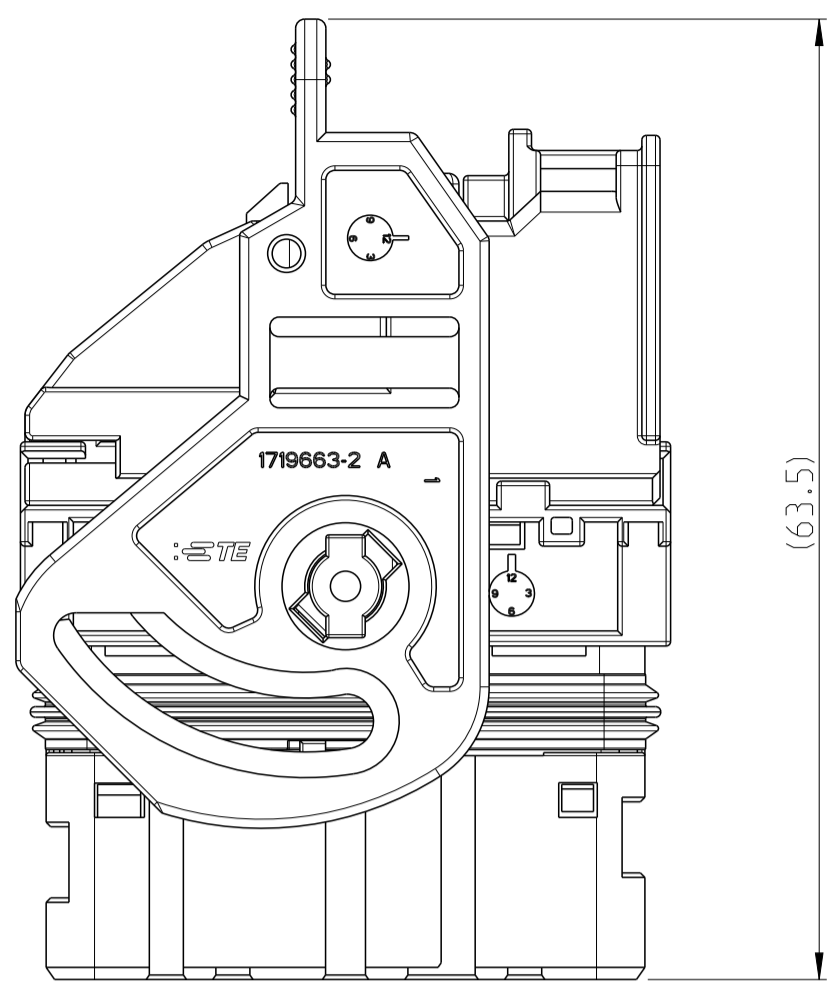
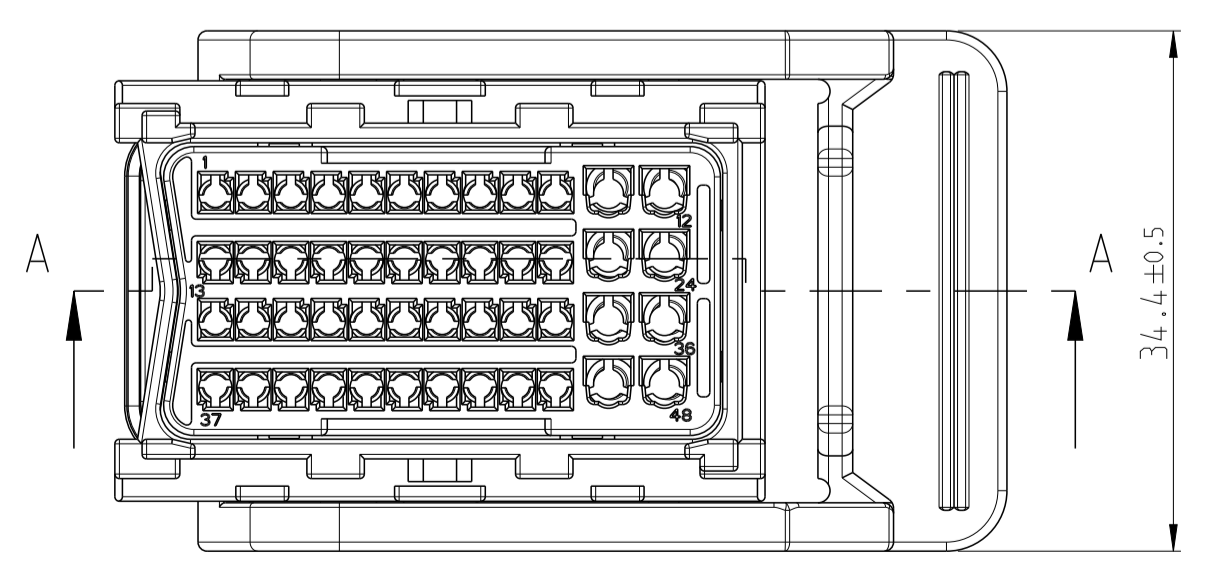
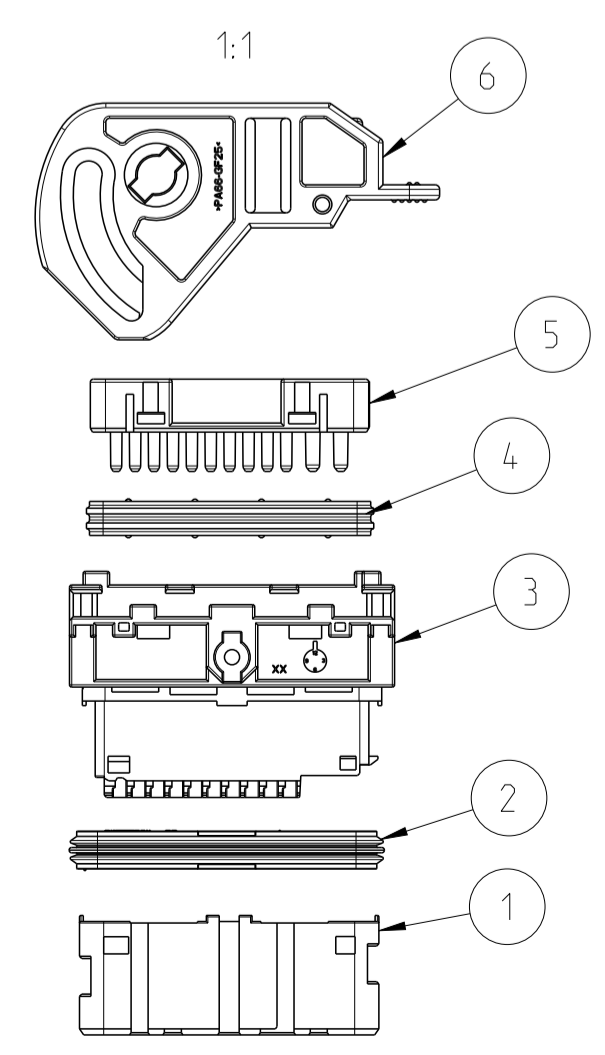
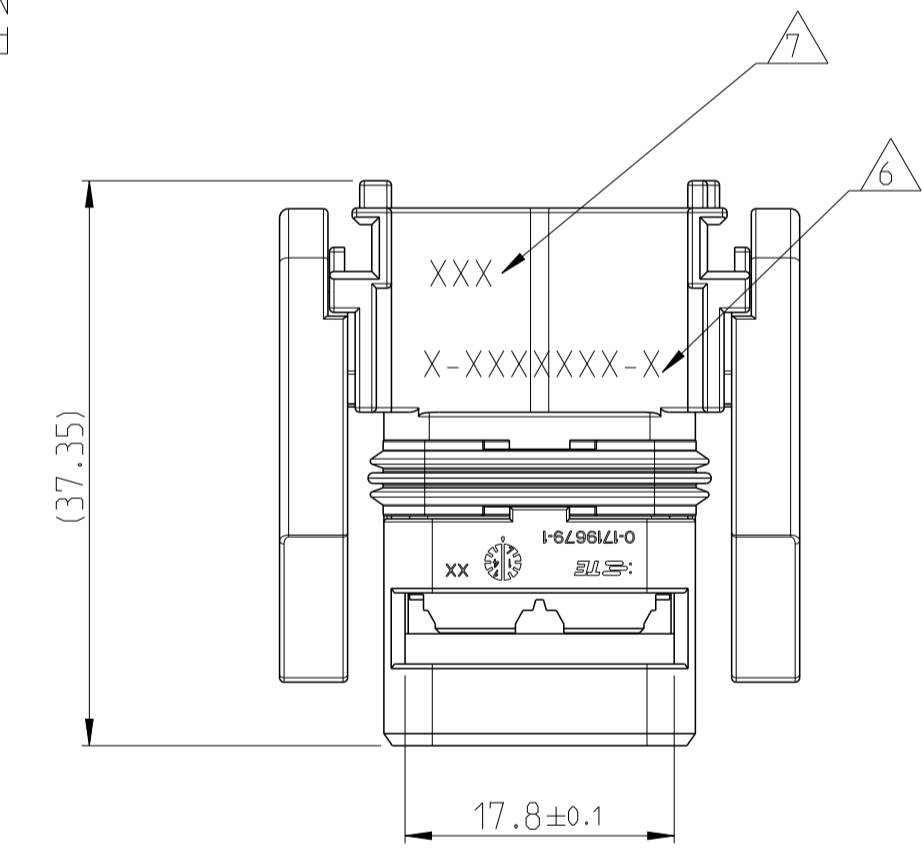
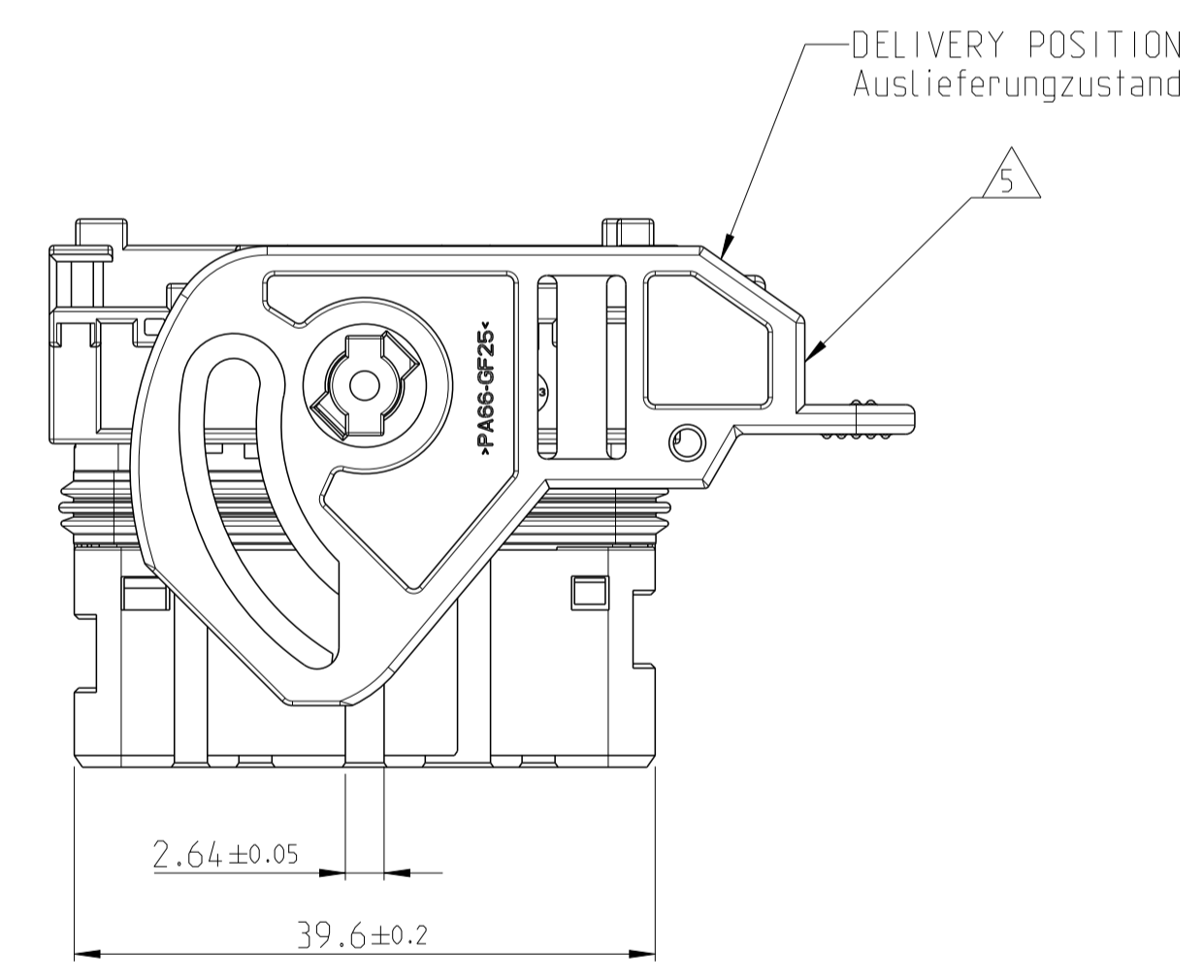
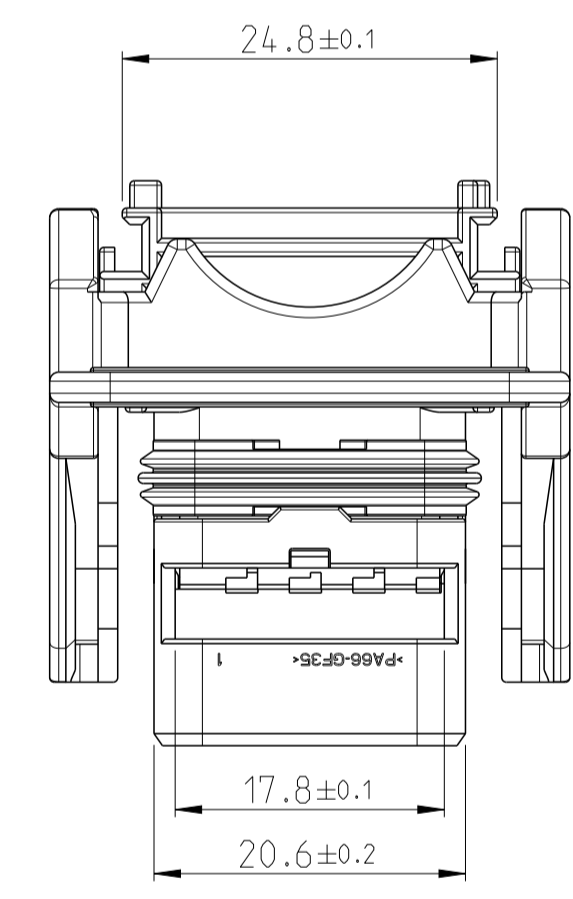
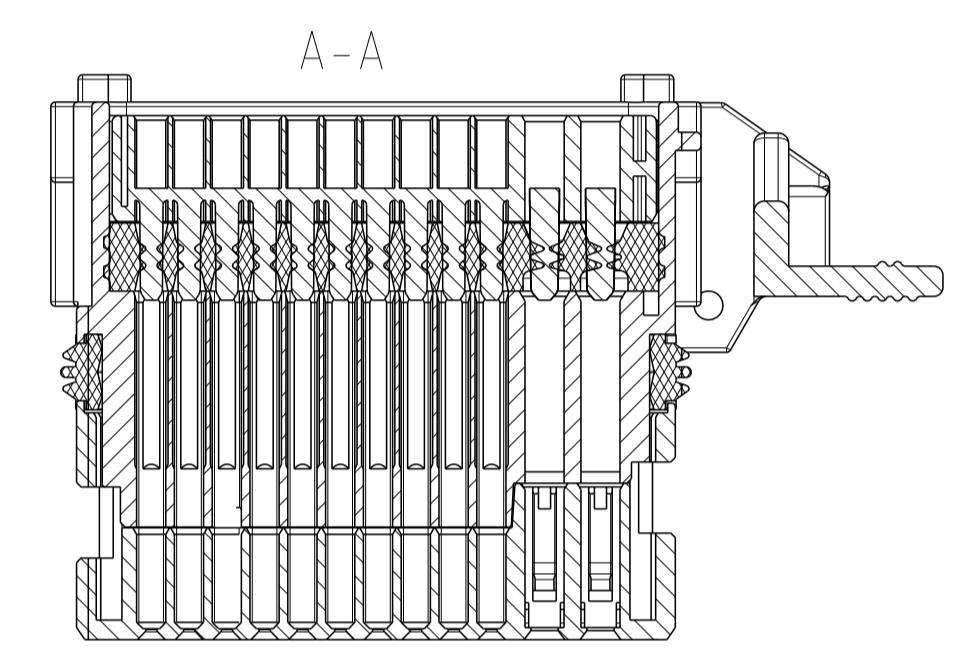
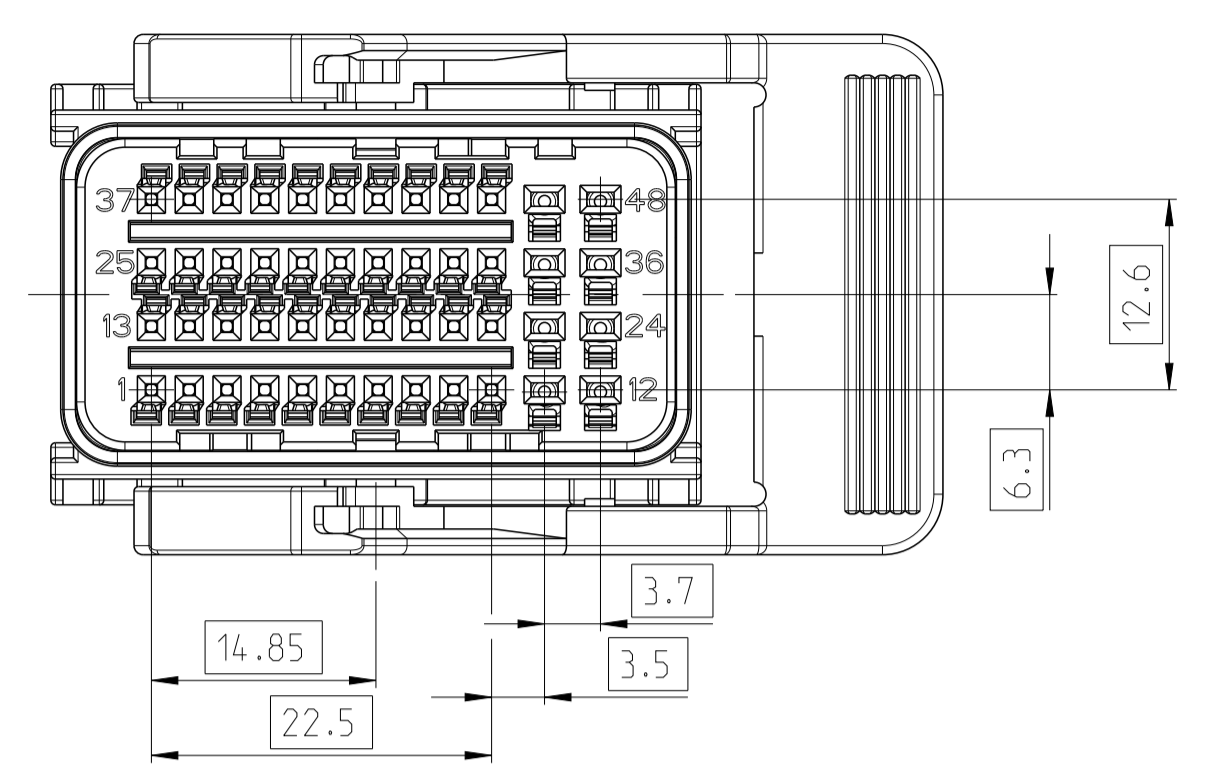


LOC	DIST	REVISIONS			
		REV	DATE	BY	APPV
A1	-	A	15 JUL 2013	MK	KR
		A1	03 FEB 2016	SRN	PT



Ansicht mit Kappe.
 Hebel in Endraststellung.
 Die Kappe ist ein separates
 Verkaufsteil.

VIEW WITH COVER, LEVER
 IN END LOCK POSITION.
 THE COVER IS A SEPARATE
 SALES PART.



- ⚠ PARTS MUST CONFORM TO USCAR 2, REV. 4
 Teile entsprechen USCAR 2, Rev. 4
- ⚠ CONNECTOR MATING / UNMATING FORCES MAX. 75N
 Steckkraft / Oeffnungskraft max. 75N
- ⚠ SEALING FUNCTION REQUIRES ONLY FOLLOWING
 WIRE SIZE DIAMETERS FOR THE TERMINALS:
 Zur Sicherstellung der Dichtigkeit duerfen folgende
 Drahtquerschnitte bei den Kontakten verwendet werden:
 SIGNAL TERMINAL: 0.35mm² - 0.75mm² WITH CABLE OD Ø1.2 - 1.9mm
 POWER TERMINAL: 0.5mm² - 1.5mm² WITH CABLE OD Ø1.4 - 2.4mm
- 4 MATED WITH:
 Passend zu:
 COVER 0-1719671-1, 0-2112228-1
 2-NDRY LOCK 0-1719661-1
 2-NDRY LOCK 0-1719668-1
 Kappe 0-1719671-1, 0-2112228-1
 2te Kontaktsicherung 0-1719661-1
 2te Kontaktsicherung 0-1719668-1
- ⚠ LEVER IN PRE-LOCK POSITION
 Hebel in Vorraststellung
- ⚠ MARKING WITH TE PN. SEE
 PINOUTCONFIGURATION SEE SHEET 2
 Markierung fuer TE PN. siehe
 Pinoutkonfigurationstabelle auf Blatt 2
- ⚠ A THREE DIGIT MARKING ACCORDING
 TABLE ON SHEET 2 LOCATED
 ON SIDE OF THE FEMALE HOUSING
 Eine dreistellige Markierung gemass
 Tabelle wie auf Blatt 2
 auf der Seite des Kontaktgehaueses
- 8 INTERFACE SPEC IFICATION: 114-18762
 Schnittstellen Spezifikation: 114-18762

QTY	PART NO	DESCRIPTION	COLOR	ITEM NO
1	PA66-GF25	LEVER LEFT SIDE	NATURAL	6
1	PA66-GF25	LEVER RIGHT SIDE	NATURAL	6
1	PBT-GF20	COVER FOR FAMILY SEAL	BLACK	5
1	MVQ	FAMILY SEAL	LIGHT BLUE	4
1	PBT-GF20	48 pos. (UPPER PART)	BLACK	3
1	MVQ	RADIAL SEAL	NATURAL	2
1	PA66-GF35	48 pos. (LOWER PART) CODING 3	BROWN	1
1	PA66-GF35	48 pos. (LOWER PART) CODING 2	GREY	1
1	PA66-GF35	48 pos. (LOWER PART) CODING 1	BLACK	1
MATERIAL		DESCRIPTION	COLOR	ITEM NO
PART NUMBER OF EACH ASSY				
CODING 2 LEVER LEFT		CODING 2 LEVER RIGHT		CODING LEVER POSITION
REVISION OF EACH ASSY NO				
PARTS LIST				

TERMINALS				
968220-1	PRE-TIN	0.35 - 0.5	Ø1.20 - 1.60	BLINDPLUG: PN 1394871-1 Blindstopfen: PN 1394871-1
968221-1	PRE-TIN	0.5 - 0.75	Ø1.40 - 1.90	
638652-2	PRE-TIN	0.5 - 1.00	Ø1.40 - 2.10	BLINDPLUG: PN 1670108-1 Blindstopfen: PN 1670108-1
638652-1	PRE-TIN	1.0 - 1.5	Ø1.90 - 2.40	
TERMINALS TE PN	FINISH	WIRE SIZE (mm ²)	WIRE SIZE DIAMETER	NOTES
TE Kontakt PN	Oberflaeche	Drahtquerschnitt (mm ²)	Kabeldurchmesser	Bemerkungen

THIS DRAWING IS A CONTROLLED DOCUMENT. OWN: M. Kressmann 15 JUL 2013
 CHK: K. Roth 15 JUL 2013
 APVD: -

DIMENSIONS: mm TOLERANCES UNLESS OTHERWISE SPECIFIED:
 0 PLC ±0.3
 1 PLC ±0.3
 2 PLC ±0.3
 3 PLC ±0.3
 4 PLC ±0.3
 ANGLES ±15°

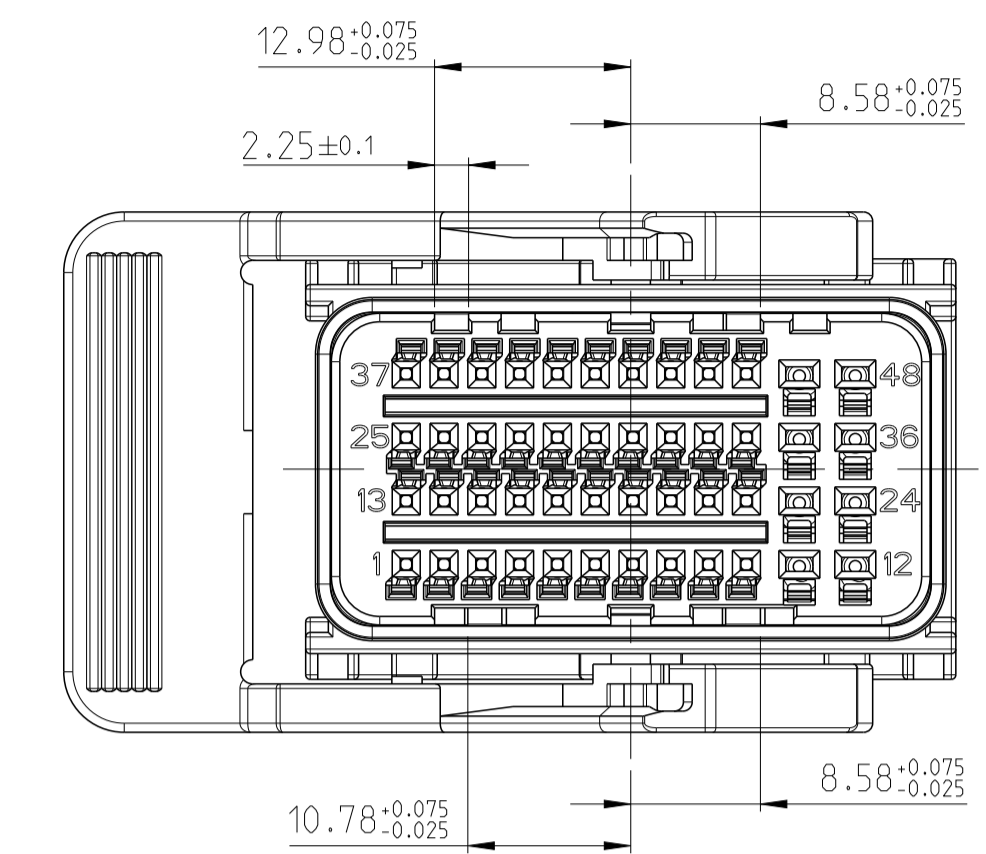
MATERIAL: - FINISH: -

PRODUCT SPEC: - APPLICATION SPEC: -
 NAME: 48 POS. RECEPTACLE HOUSING
 40XMQS AND 8X1.5
 SIZE: 114-18761-1 CAGE CODE: 00779 DRAWING NO: 2236283 RESTRICTED TO: -
 WEIGHT: -
 CUSTOMER DRAWING: - SCALE: 2:1 SHEET: 1 OF 2 REV: A1

LOC	DIST	REVISIONS			
		DATE	BY	APPD	
A1	-	-	SEE SHEET 1	-	-

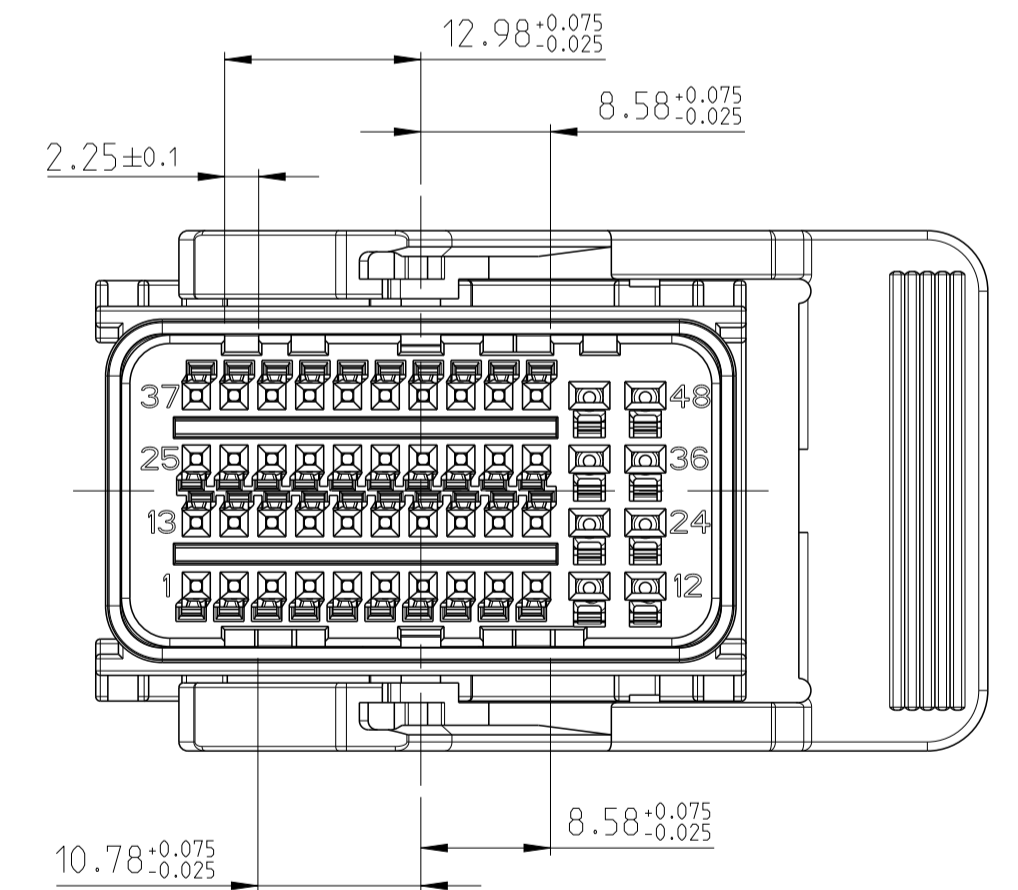
CODING 2

				PINOUT CONFIGURATION																																																
				1	2	3	4	5	6	7	8	9	10	11	12	13	14	15	16	17	18	19	20	21	22	23	24	25	26	27	28	29	30	31	32	33	34	35	36	37	38	39	40	41	42	43	44	45	46	47	48	
-	099	9-2236283-9	A	X	X	X	X	X	X	X	X	X	X	X	X	X	X	X	X	X	X	X	X	X	X	X	X	X	X	X	X	X	X	X	X	X	X	X	X	X	X	X	X	X	X	X	X	X	X	X	X	X
NOTES Bemerkung	MARKING FOR PINOUT- CONFIGURATION Markierung fuer Pinout- konfiguration	TE-PN TE-Nr.	REV	1	2	3	4	5	6	7	8	9	10	11	12	13	14	15	16	17	18	19	20	21	22	23	24	25	26	27	28	29	30	31	32	33	34	35	36	37	38	39	40	41	42	43	44	45	46	47	48	
BLANKED CAVITIES INDICATE CLOSED LOCATIONS Leere Felder kennzeichnen geschlossene Kammern																																																				
WITH "X" MARKED CAVITIES INDICATE OPEN LOCATIONS Markierte Felder mit "X" kennzeichnen offene Kammern																																																				



CODING 2
GREY
LEVER LEFT
CABLE EXIT RIGHT
PN 2236283

				PINOUT CONFIGURATION																																																		
				1	2	3	4	5	6	7	8	9	10	11	12	13	14	15	16	17	18	19	20	21	22	23	24	25	26	27	28	29	30	31	32	33	34	35	36	37	38	39	40	41	42	43	44	45	46	47	48			
V362	001	0-2236284-1	A	X	X	X	X	X	X	X	X	X	X	X	X	X	X	X	X	X	X	X	X	X	X	X	X	X	X	X	X	X	X	X	X	X	X	X	X	X	X	X	X	X	X	X	X	X	X	X	X	X		
-	099	9-2236284-9	A	X	X	X	X	X	X	X	X	X	X	X	X	X	X	X	X	X	X	X	X	X	X	X	X	X	X	X	X	X	X	X	X	X	X	X	X	X	X	X	X	X	X	X	X	X	X	X	X	X	X	X
NOTES Bemerkung	MARKING FOR PINOUT- CONFIGURATION Markierung fuer Pinout- konfiguration	TE-PN TE-Nr.	REV	1	2	3	4	5	6	7	8	9	10	11	12	13	14	15	16	17	18	19	20	21	22	23	24	25	26	27	28	29	30	31	32	33	34	35	36	37	38	39	40	41	42	43	44	45	46	47	48			
BLANKED CAVITIES INDICATE CLOSED LOCATIONS Leere Felder kennzeichnen geschlossene Kammern																																																						
WITH "X" MARKED CAVITIES INDICATE OPEN LOCATIONS Markierte Felder mit "X" kennzeichnen offene Kammern																																																						



CODING 2
GREY
LEVER RIGHT
CABLE EXIT LEFT
PN 2236284

THIS DRAWING IS A CONTROLLED DOCUMENT.		OWN: M. Kressmann 15 JUL 2013	STE TE Connectivity
		CHK: K. Roth 15 JUL 2013	
DIMENSIONS:	TOLERANCES UNLESS OTHERWISE SPECIFIED:	APVD:	NAME:
mm	0 PLC ±0.1	-	48 POS. RECEPTACLE HOUSING
	1 PLC ±0.1	-	40xMQS AND 8x1.5
	2 PLC ±0.1	-	-
	3 PLC ±0.1	-	-
	4 PLC ±0.1	-	-
	ANGLES ±0.1	-	-
MATERIAL:	FINISH:	WEIGHT:	SIZE: A1
-	-	-	CAGE CODE: 00779
CUSTOMER DRAWING		SCALE: 2:1	DRAWING NO: C=2236283
		SHEET 2 OF 2	REV: A1