

4

3

2

1

THIS DRAWING IS UNPUBLISHED.

RELEASED FOR PUBLICATION

20

© COPYRIGHT 20 BY -

ALL RIGHTS RESERVED.

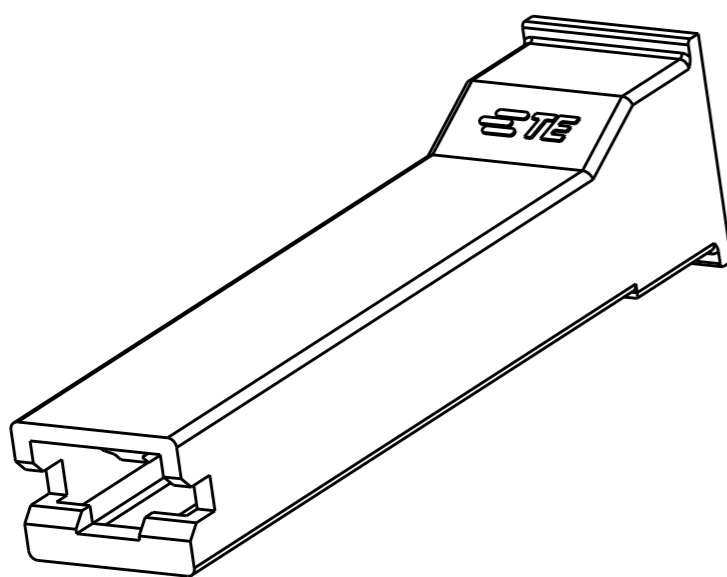
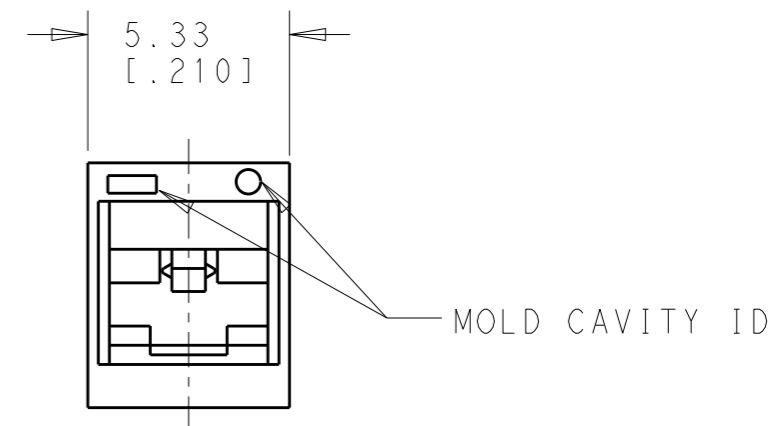
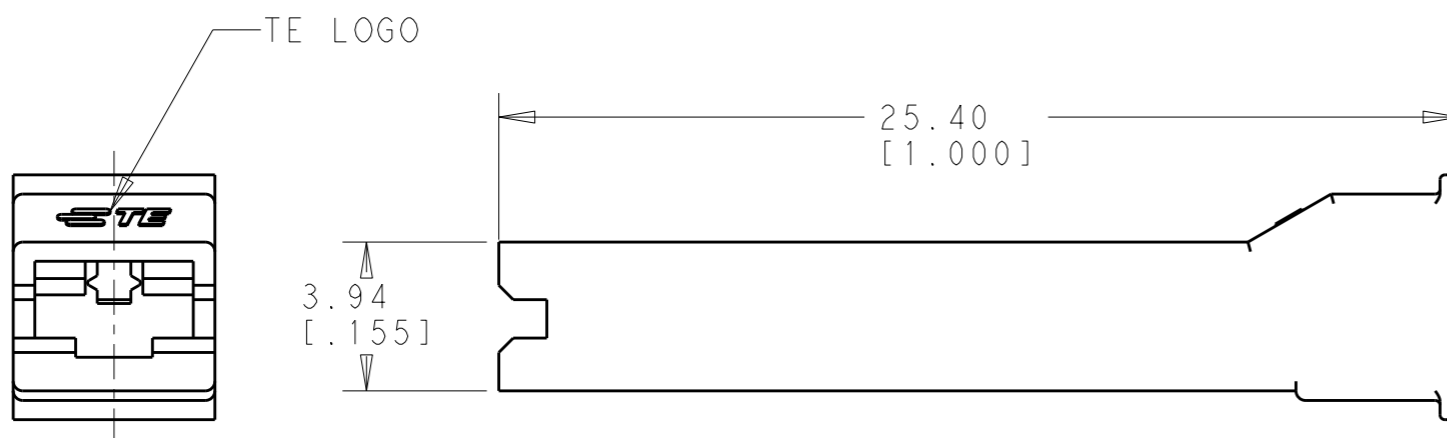
LOC AF DIST 50

REVISIONS

P	LTR	DESCRIPTION	DATE	DWN	APVD
	B1	REVISED PER ECR-18-003787	16MAR2018	BW	SD



1 THIS HOUSING ACCEPTS A 2.79 [.110] SERIES PART NUMBER 1742975-1.



1-2232942-4
1-2232942-2
1-2232942-1
2232942-1
PART NO.

THIS DRAWING IS A CONTROLLED DOCUMENT.		DWN JR RUTH 12FEB15	STE TE Connectivity	
DIMENSIONS: mm [INCHES]		CHK DAVE HUMPHREY 12FEB15		
TOLERANCES UNLESS OTHERWISE SPECIFIED:		APVD MELISSA STANLEY 12FEB15	NAME HOUSING, RECEPTACLE, POSI-LOCK, .110 SERIES	
0 PLC ±-		PRODUCT SPEC -	SIZE CAGE CODE DRAWING NO RESTRICTED TO	
1 PLC ±-		APPLICATION SPEC -	A300779 C-2232942	
2 PLC ±0.40 [.0157]		WEIGHT -	SCALE N/A SHEET 1 OF 1 REV B1	
3 PLC ±-		CUSTOMER DRAWING		
4 PLC ±-				
ANGLES ±-				
FINISH MATERIAL NYLON, V0 NATURAL				