

REVISIONS				
P	LR	DESCRIPTION	DATE	BY
B2		ECR-22-144885 OBSOLETE PN	18JUL2022	TF CW

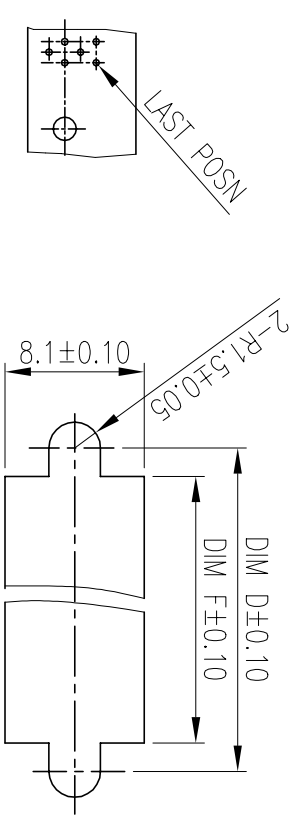
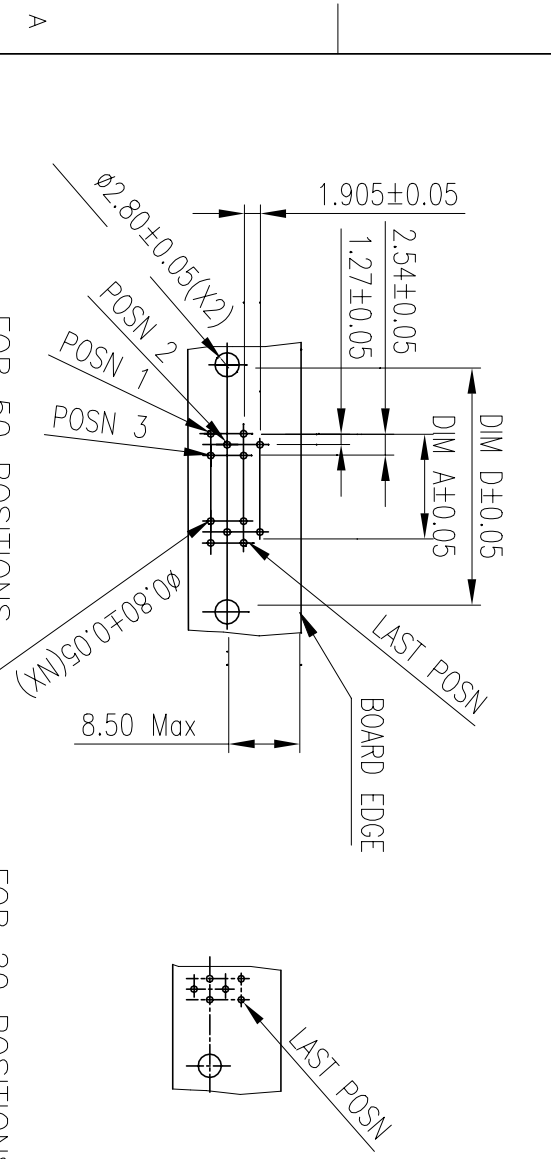
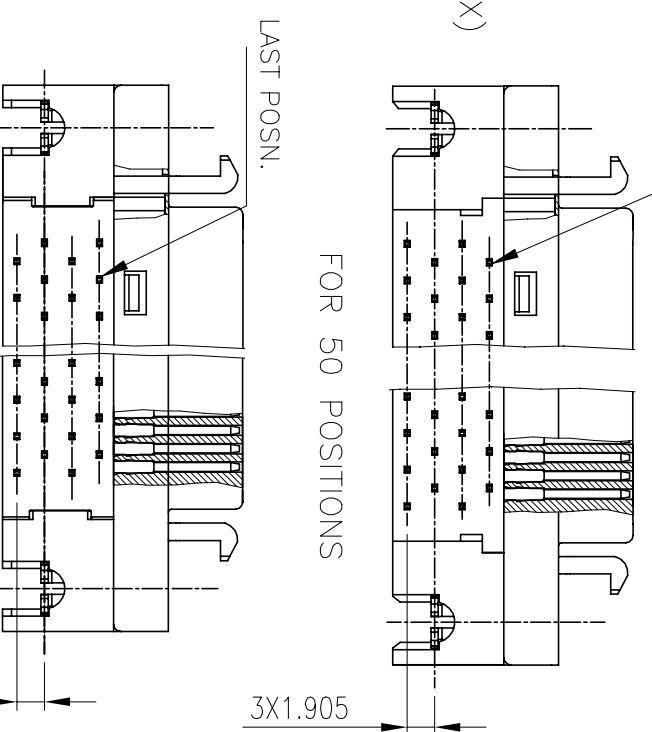
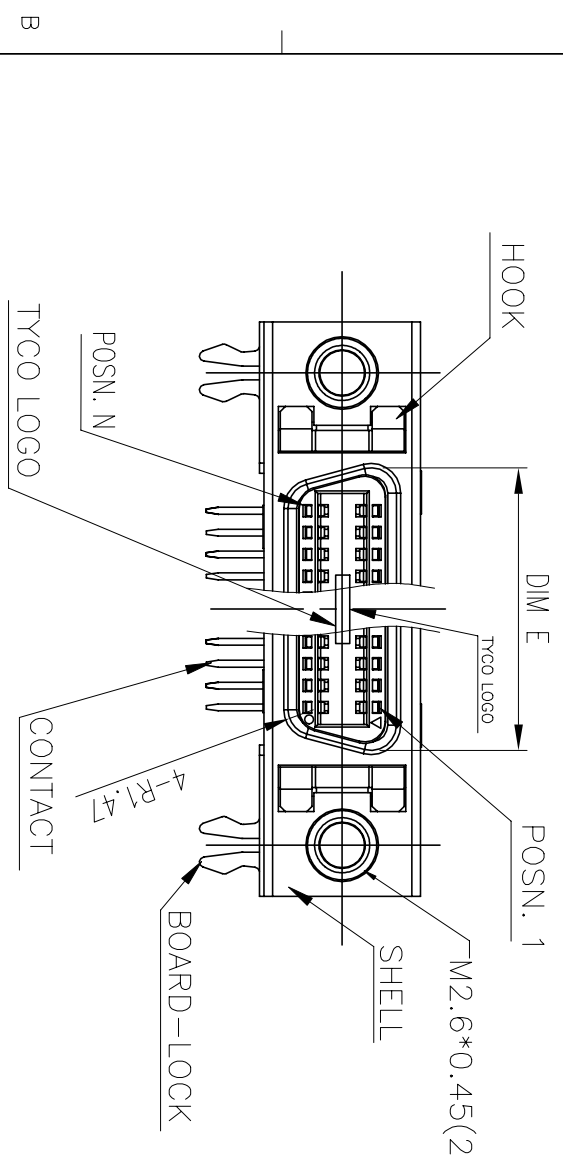
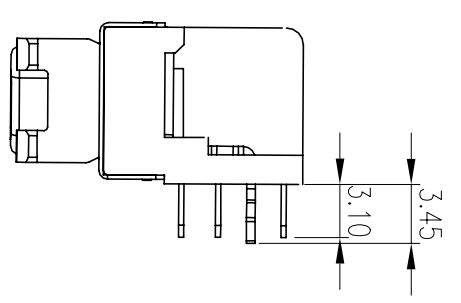
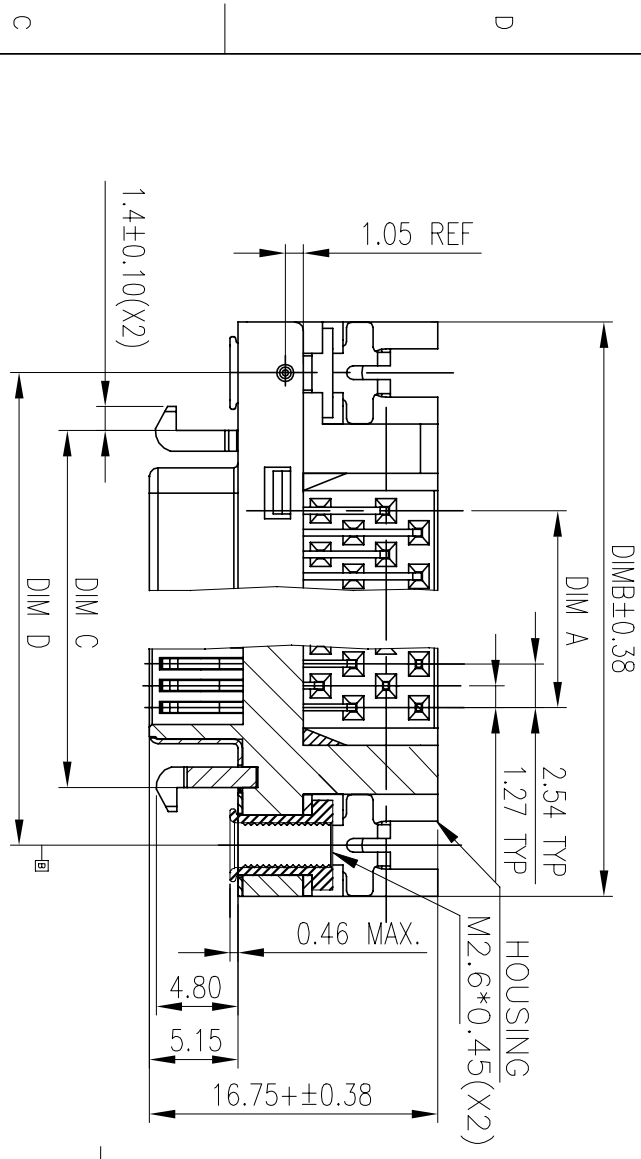


FIG B

FOR 50 POSITIONS
 FOR 20 POSITIONS

FIG A: RECOMMENDED PCB BOARD LAYOUT THICKNESS: 1.60mm

- NOTES:
- MATERIAL:
 - HOUSING & COVER: PBT WITH 30% G.F, UL94 V-0; COLOR: BLACK
 - CONTACT: PHOSPHOR BRONZE
 - SHELL: STEEL
 - BOARD-LOCK: BRASS
 - HOOK: STAINLESS STEEL
 - FINISH:
 - CONTACT:
 - 0.254µm[10u"]/0.76µm[30u"] MIN. GOLD PLATING ON THE CONTACT AREA
 - 2.54~5.08µm[100~200u"] MIN. BRIGHT TIN PLATING ON SOLDER TAIL AREA
 - 1.27µm[50u"] MIN. NICKEL UNDER PLATING OVERALL.
 - SHELL: NICKEL 5.08µm [200u"] MIN. OVER COPPER 5.08µm [200u"] MIN.
 - BOARD-LOCK: 1.27µm [50u"] MIN. TIN PLATING.
 - WAVE SOLDER CAPABLE TO 265°C PER TE SPEC. 109-202, CONDITION B.
 - FIG A: RECOMMENDED PCB BOARD LAYOUT.
 - FIG B: RECOMMENDED PANEL CUTOUT.
 - TWIST FORCE TEST STANDARD
 - MATED AND LOCKED WITH 2.5~3.5 KGF.CM, THEN MEASURE SHELL DISPLACEMENT OF UNMATED FEMALE:
 - SHELL DISPLACEMENT SMALLER THAN 0.30MM, JUDGEMENT: OK;
 - SHELL DISPLACEMENT LARGER THAN 0.30MM, JUDGEMENT: NG;

obsolete	43.05	35.48	46.50	39.80	52.43	30.48	30-U"	50	5-2232303-2
obsolete	24.00	16.45	27.45	20.75	33.38	11.43	30-U"	20	2-2232303-2
obsolete	43.05	35.48	46.50	39.80	52.43	30.48	10-U"	50	5-2232303-1
obsolete	24.00	16.45	27.45	20.75	33.38	11.43	10-U"	20	2-2232303-1

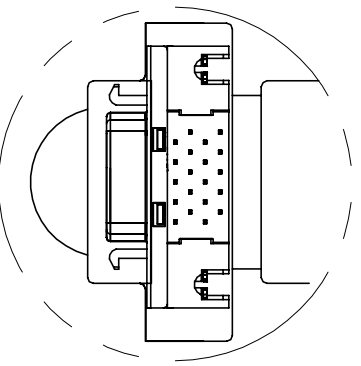
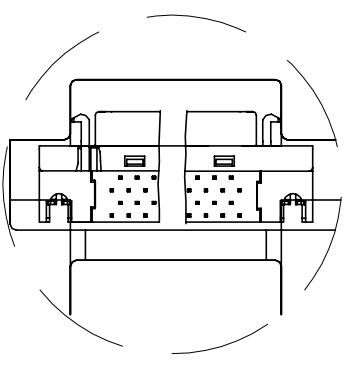
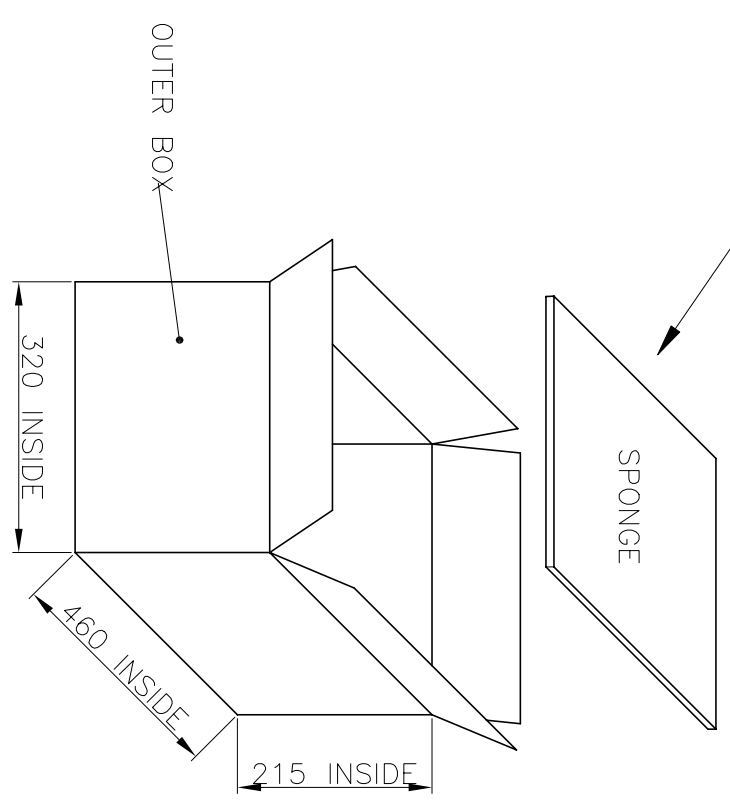
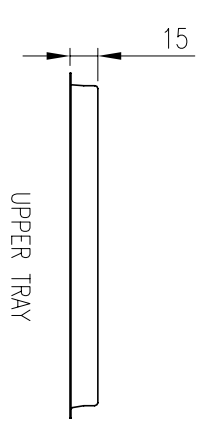
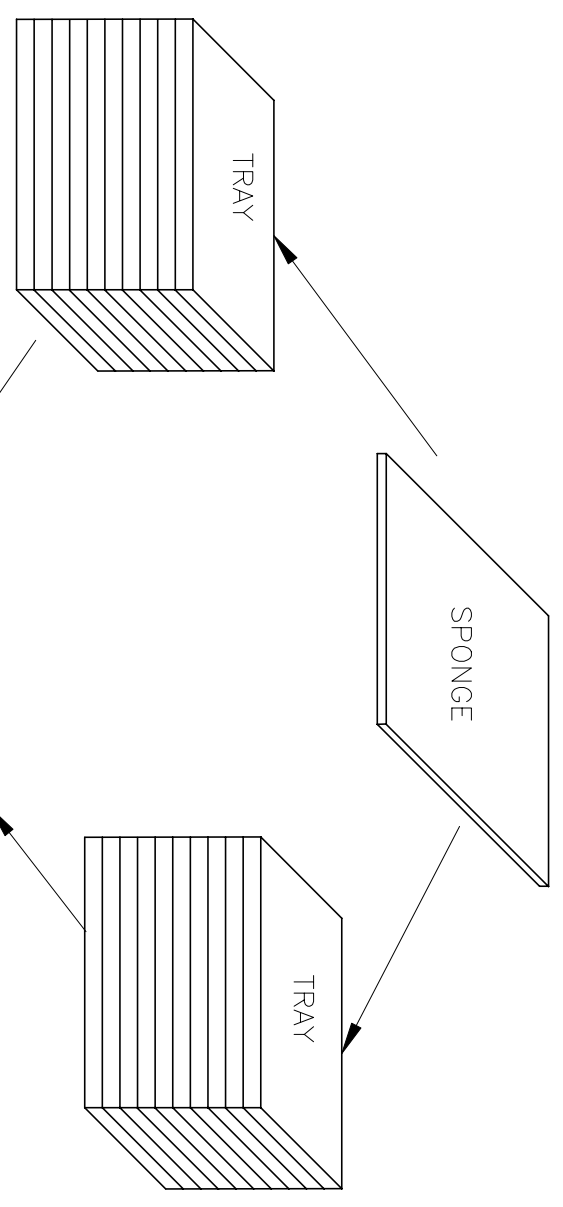
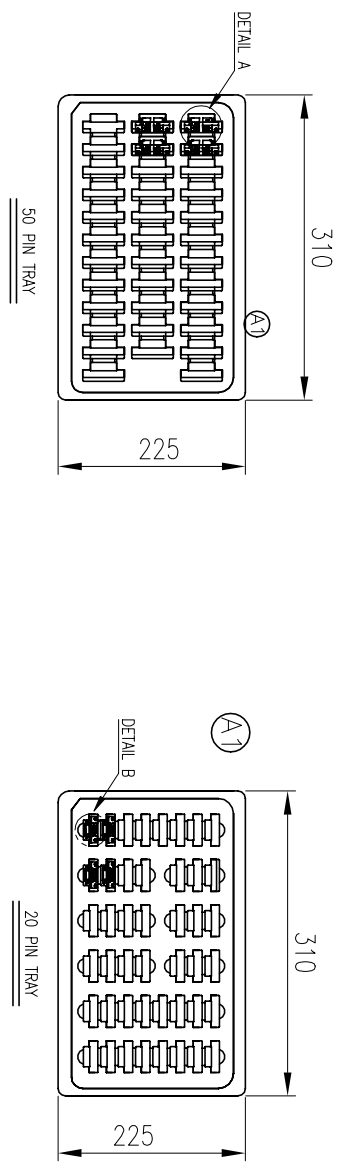
THIS DRAWING IS A CONTROLLED DOCUMENT.
 DIM. F DIM. E DIM. D DIM. C DIM. B DIM. A Au PLT. POS. PART NUMBER

DIMENSIONS: mm		TOLERANCES (UNLESS OTHERWISE SPECIFIED)		NAME	
0 PLG	± 0.3	HAO WANG	22MAY13	STE TE Connectivity Ltd.	
1 PLG	± 0.2	OK	22MAY13	HAO WANG	
2 PLG	± 0.15	CHK	22MAY13	KOBBER ZHAO	
3 PLG	± 0.15	APVD	22MAY13	PETER YIN	
4 PLG	± 0.15	PRODUCT SPEC	108-106126	HALF-PITCH RIBBON TYPE	
FINISH	± 0.3	APPLICATION SPEC		RECEPTACLE R/A	
MATERIAL	SEE NOTE	WEIGHT		PCB MOUNT	
SEE NOTE	SEE NOTE	CUSTOMER DRAWING	A2 00779	SIZE	QAGE CODE
				DRAWING NO	DRAWING NO
					2232303
				SCALE	2:1
				SHEET	1 of 2
				REV	B2

2232303

REVISIONS		DATE	BY	APP'D
P	LR	DESCRIPTION		
-	-			

obsolete	8.9KG	6.3KG	35	20	700	5-2232303-2
obsolete	8.2KG	5.4KG	45	20	900	2-2232303-2
obsolete	8.9KG	6.3KG	35	20	700	5-2232303-1
obsolete	8.2KG	5.4KG	45	20	900	2-2232303-1
	GROSS WEIGHT	NET WEIGHT	PCS/ TRAY	TRAY/BOX	PCS/BOX	PART NUMBER



2232303

THIS DRAWING IS A CONTROLLED DOCUMENT.

DMN HAO WANG 22MAY13
 CHK KOBBER ZHAO 22MAY13
 APVD PETER YIN 22MAY13

NAME: HALF-PITCH RIBBON TYPE RECEPTACLE R/A PCB MOUNT

PRODUCT SPEC: 108-106126

APPLICATION SPEC: 0 PLC ± 0.3
 1 PLC ± 0.2
 2 PLC ± 0.15
 3 PLC ± 0.15
 4 PLC ± 0.15

FINISH: -
 WEIGHT: -
 CUSTOMER DRAWING: A2 00779
 CAGE CODE: 2232303
 DRAWING NO: 2232303
 SCALE: 2:1
 SHEET: 2 OF 2
 REV: B2

A

B

C

D

A

B

C

D