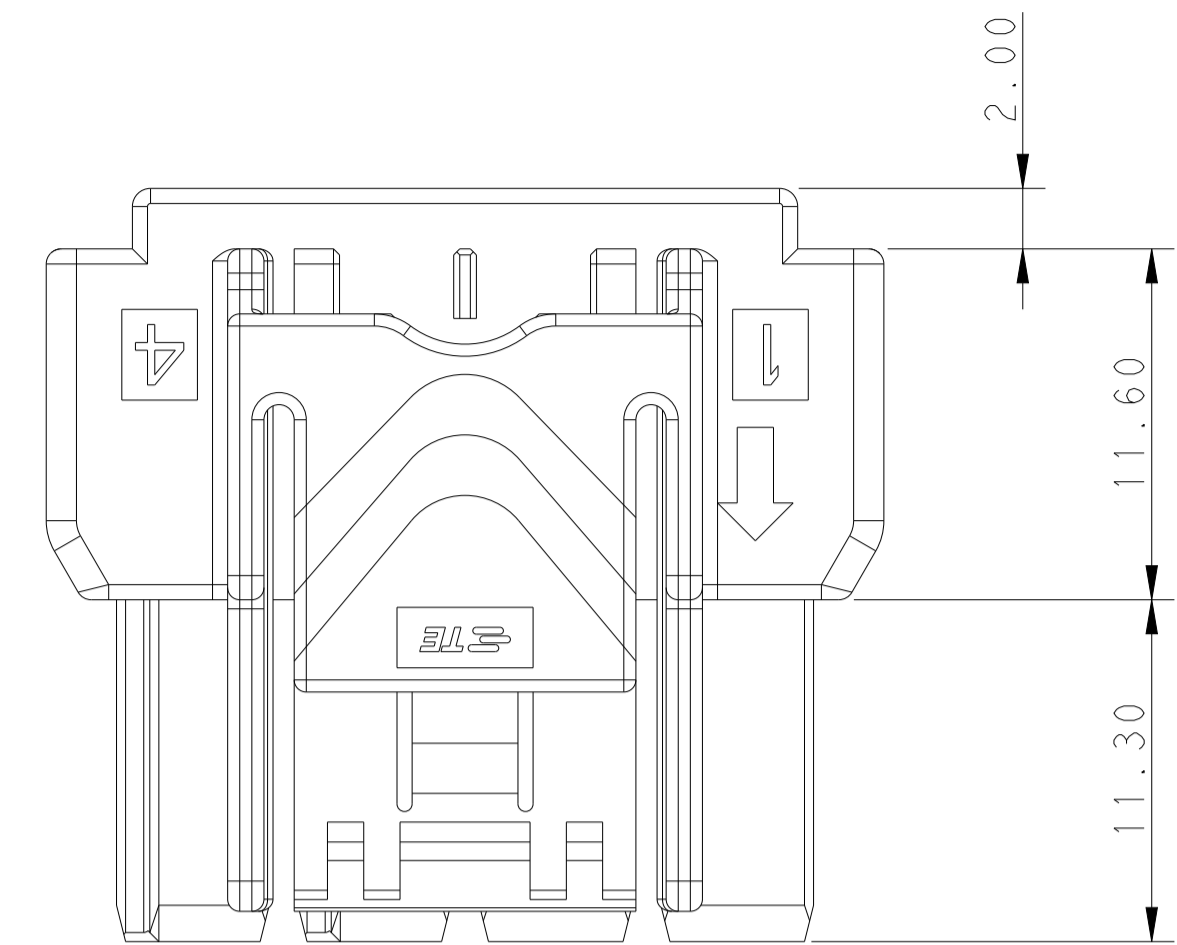
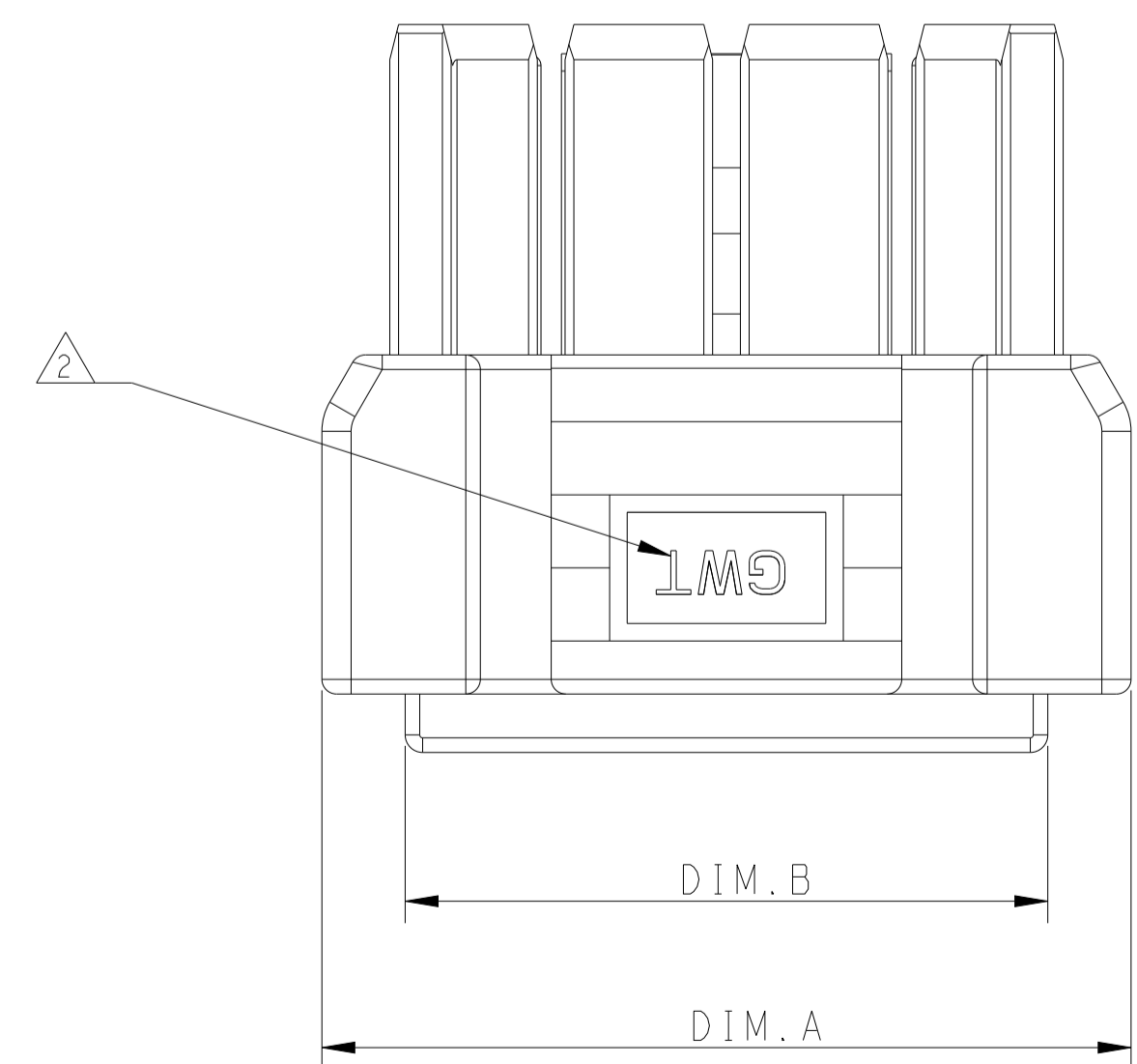
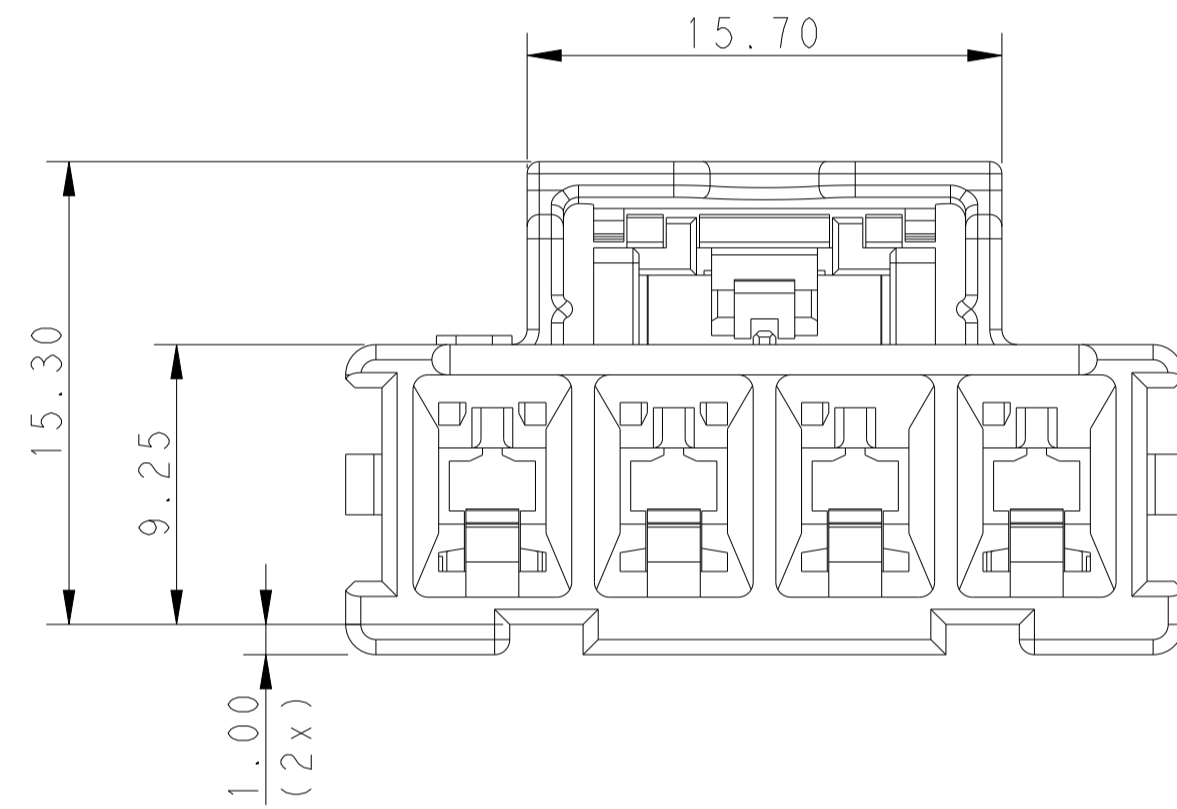
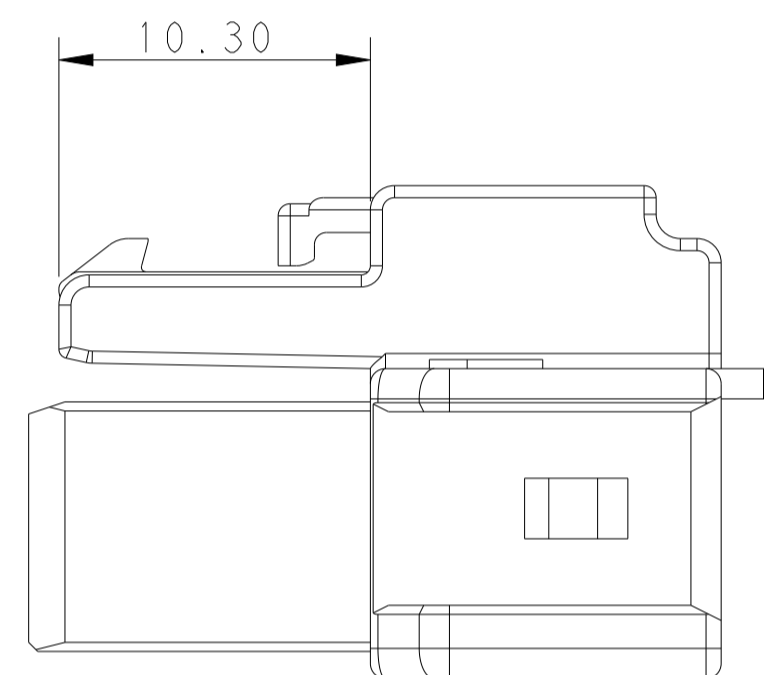
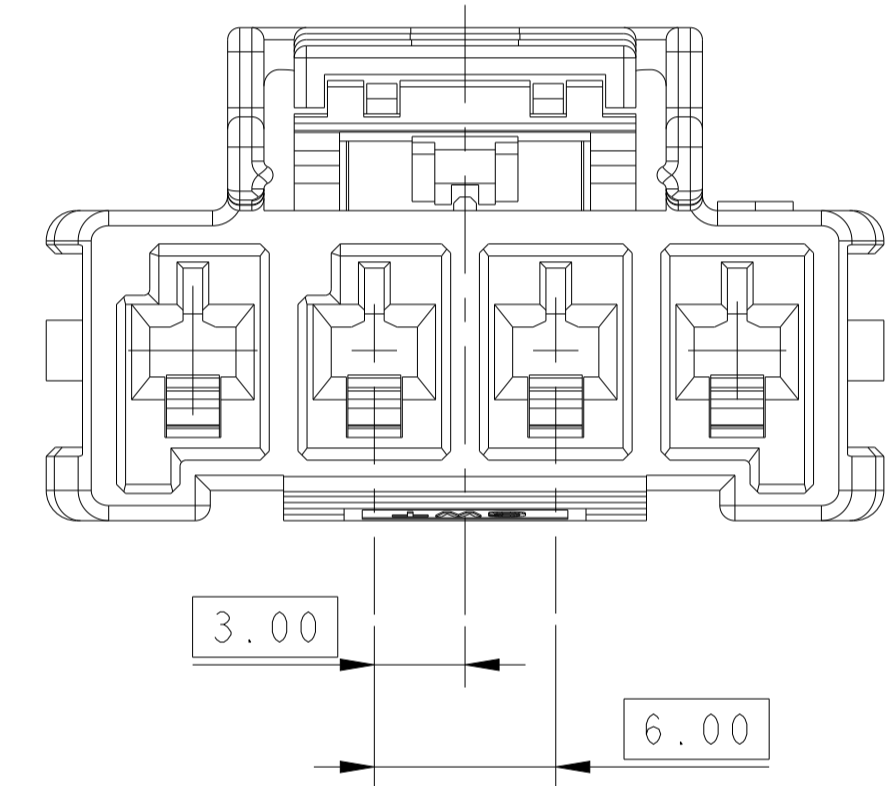


LOC		DIST		REVISIONS			
P	LTN	DESCRIPTION	DATE	DMN	APVD		
E		REVISED PER ECR-22-137850	11MAY2023	SKR	CM		



POS.	DIM. A	DIM. B
1*5	33.70	28.00
1*4	27.70	22.00
1*3	21.70	16.00
1*2	15.70	10.00

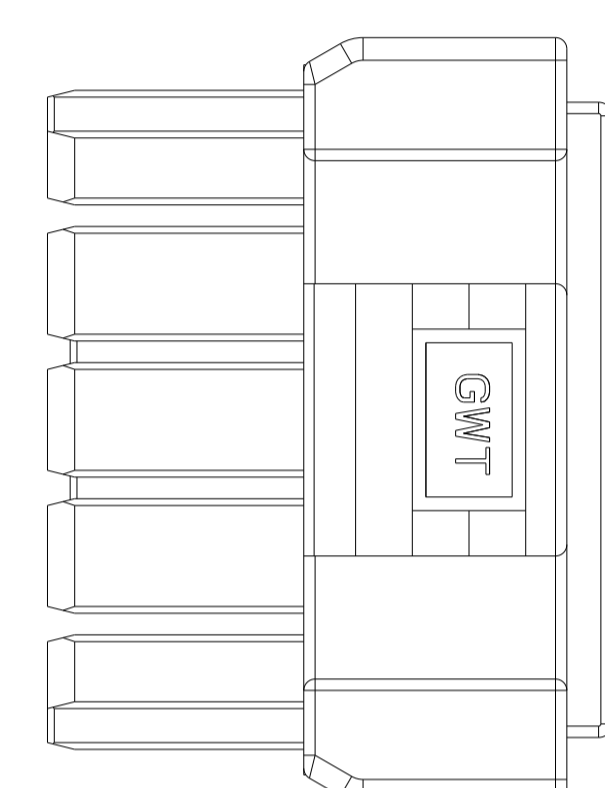
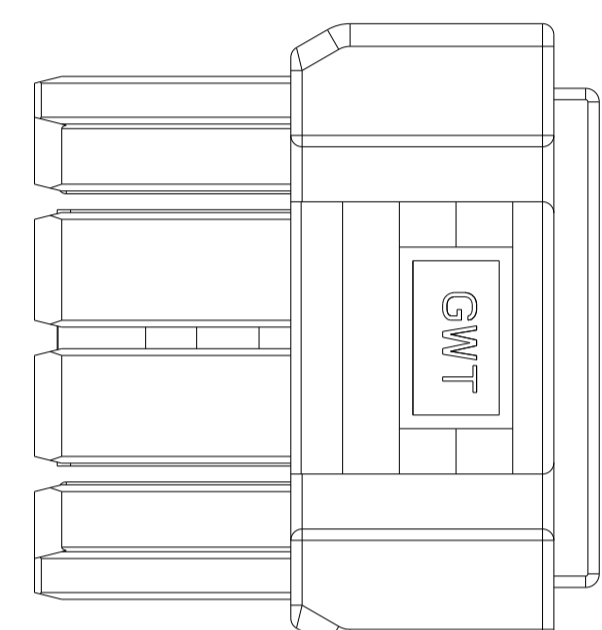
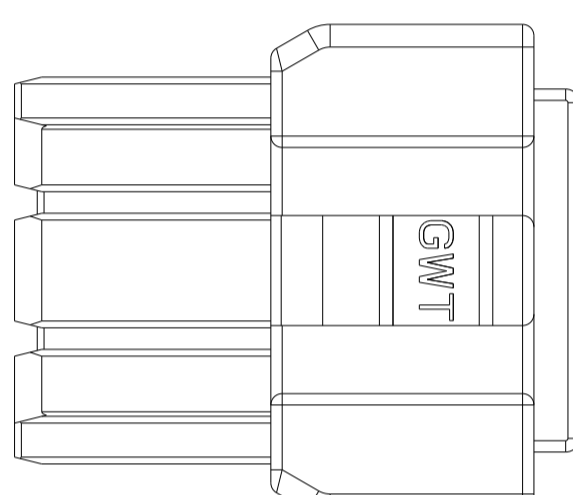
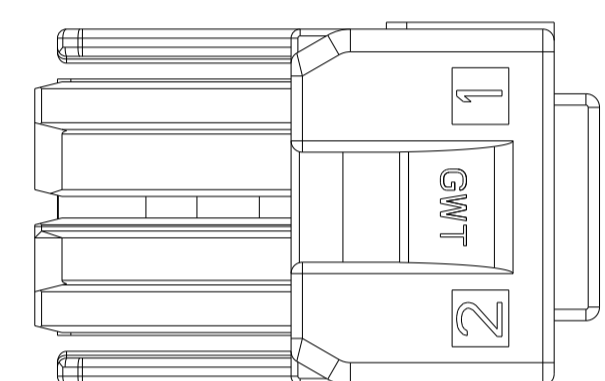
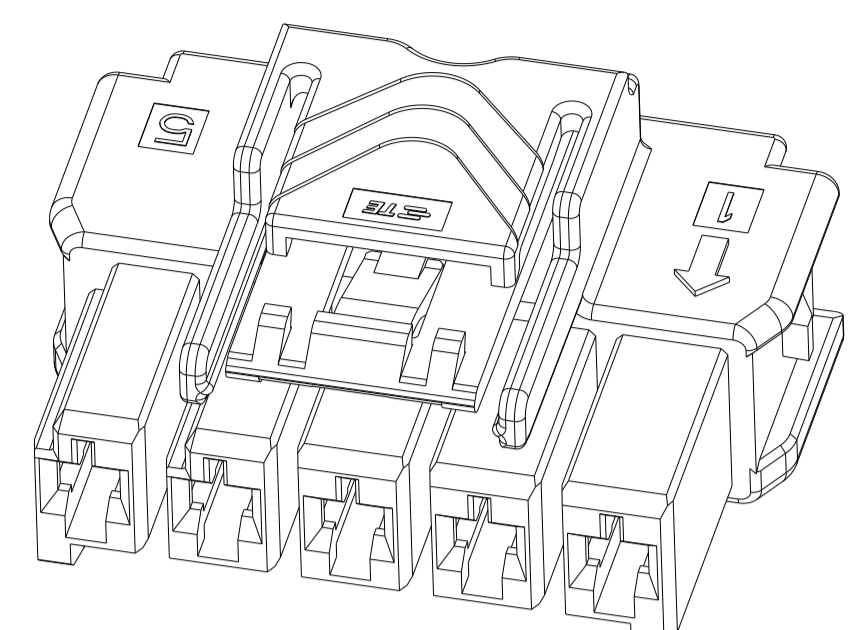
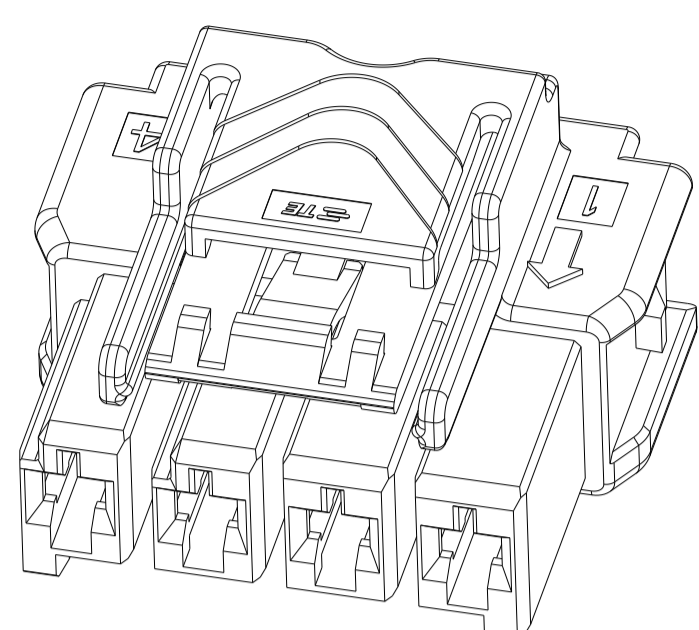
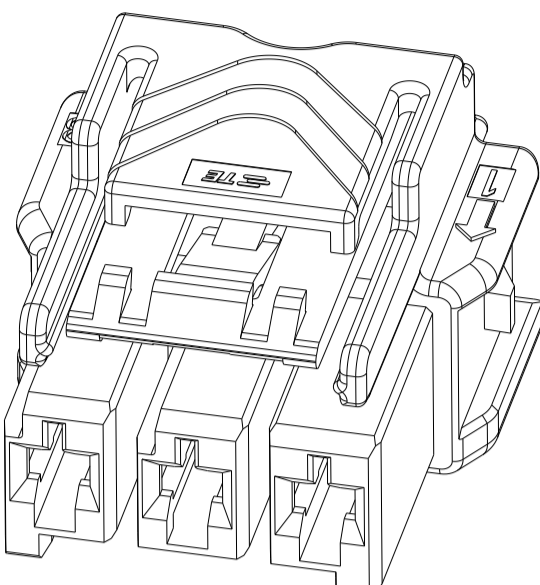
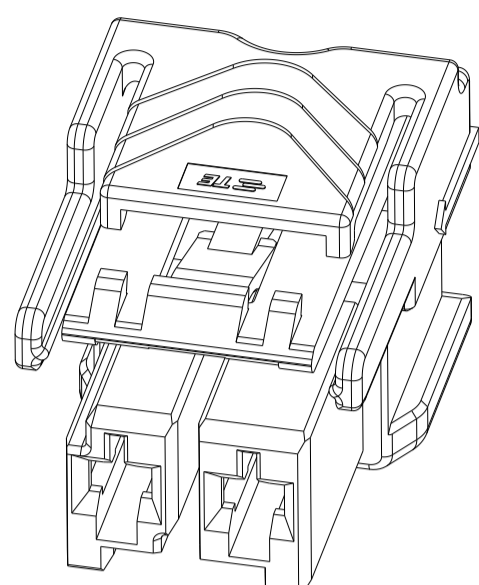


NOTE  
 1. MATERIAL:  
 LEVEL A: PA66, COMPLY WITH GLOW WIRE REQUIREMENTS FOR PARTS OF NON-METALLIC MATERIAL SUPPORTING A CURRENT-CARRYING CONNECTION DETAILED IN IEC 60335-1, SECTION 30 (GWT), UL 94V-0  
 LEVEL B: PBT, HOT WIRE IGNITION (HWI) VERSION ARE MOLDED IN A RESIN THAT COMPLIES WITH TE HOT WIRE IGNITION TEST 109-32026 AND ARE RECOMMENDED FOR USE WITH HWI HOUSINGS THAT ALSO COMPLY, UL 94V-0

2. MATERIAL MARK:  
 LEVEL A: GWT, LEVEL B: HWT
3. APPLICABLE CONTACT P/N  
 REC CONTACT: 1971237/1971779/81/83/85/87-\*
4. MATING CONN. P/N  
 CAP HSG: \*-2232358/263-  
 TPA: \*-1971777-\*

THIS DRAWING IS A CONTROLLED DOCUMENT.		DMN TOMMY WU 26MAR2013		TE Connectivity	
DIMENSIONS: mm		CHK HAPYE WU 26MAR2013		PLUG HOUSING, SINGLE ROW POWER TRIPLE LOCK	
TOLERANCES UNLESS OTHERWISE SPECIFIED:		APVD YUHONG MAO 26MAR2013	NAME		
0 PLC ±-		PRODUCT SPEC	108-106118		
1 PLC ±0.35		APPLICATION SPEC	114-106118		
2 PLC ±0.25		SIZE	A1		
3 PLC ±-		WEIGHT	00779C=2232265		
4 PLC ±-		SCALE	4:1		
ANGLES ±-		SHEET	1 OF 2		
FINISH -		REV	E		
MATERIAL SEE TABLE		Customer Drawing			

LOC		DIST		REVISIONS			
P	LTN	DESCRIPTION	DATE	DMN	APVD		
-	-	SEE SHEET 1	-	-	-		

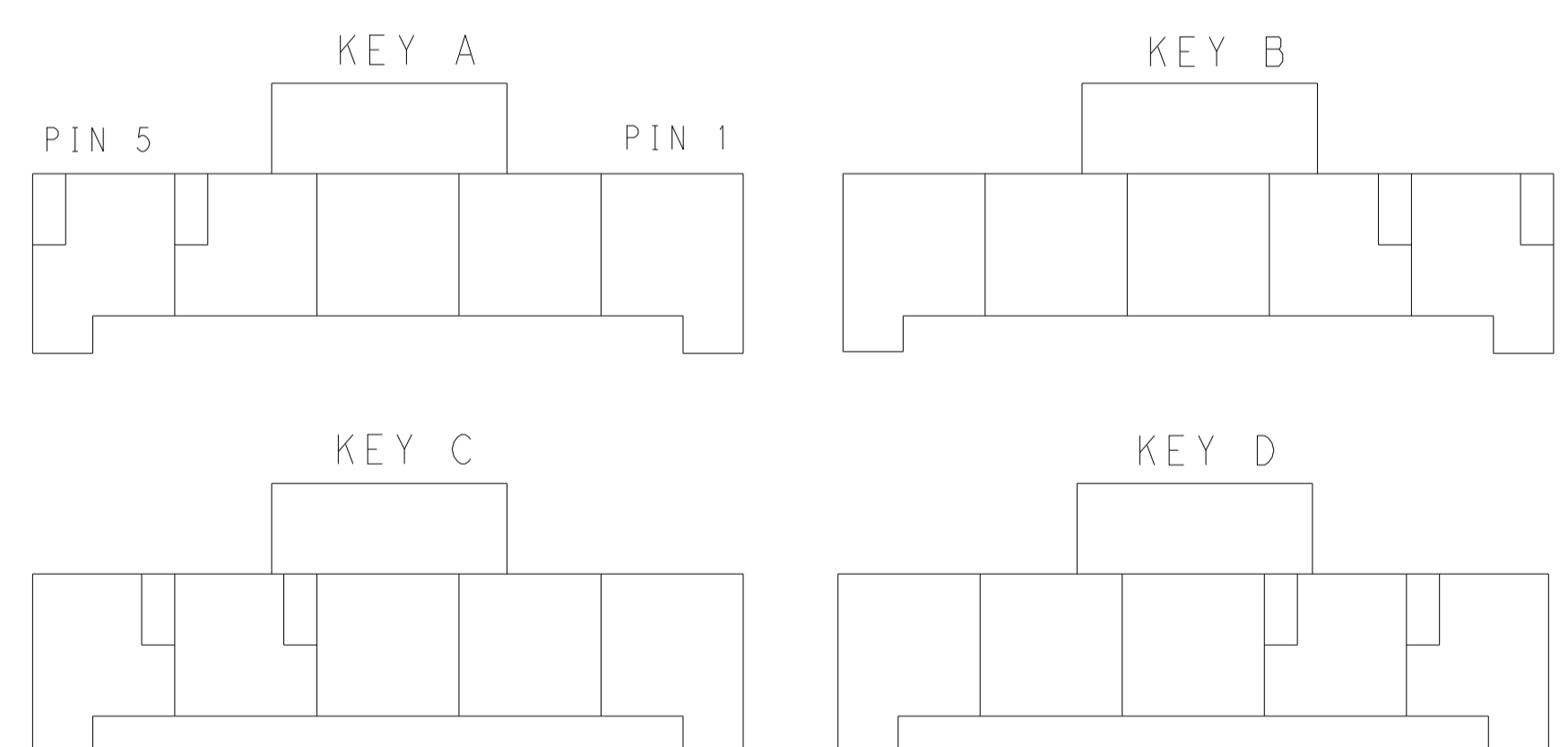
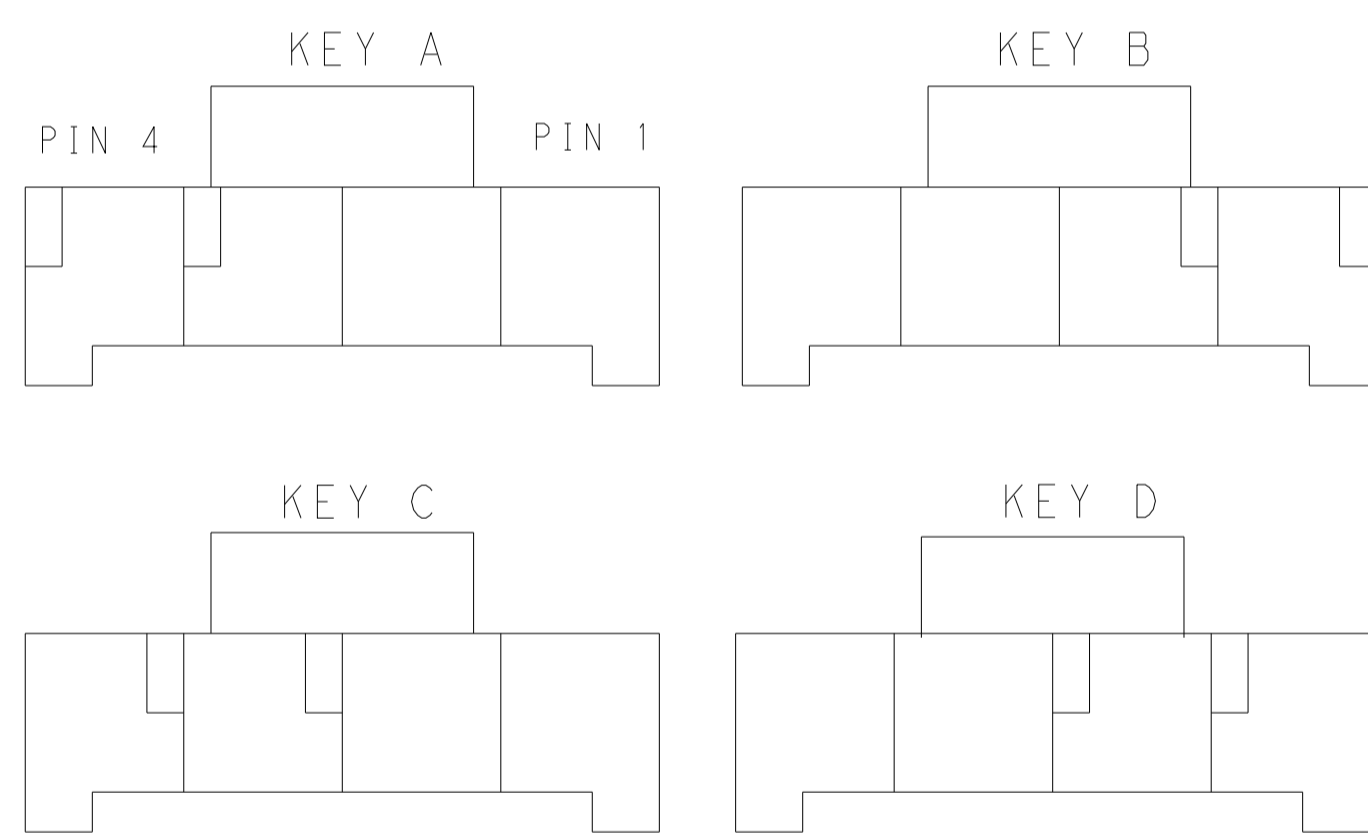
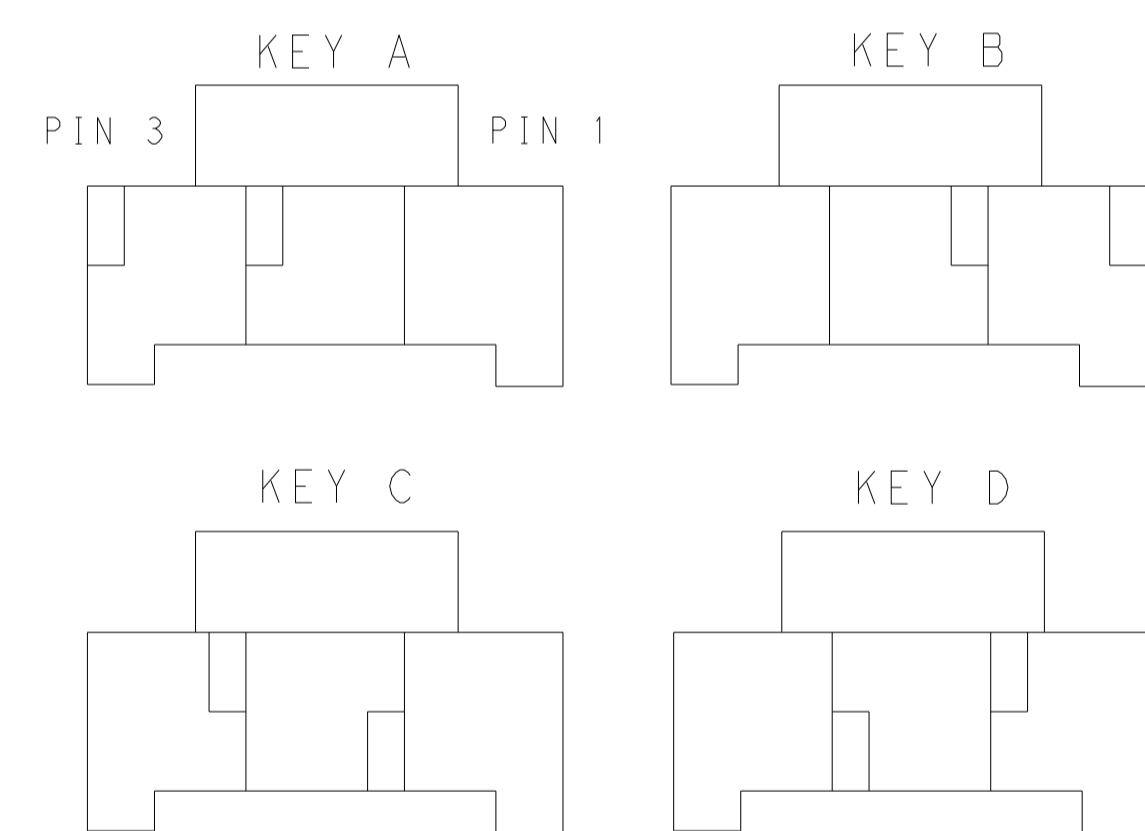
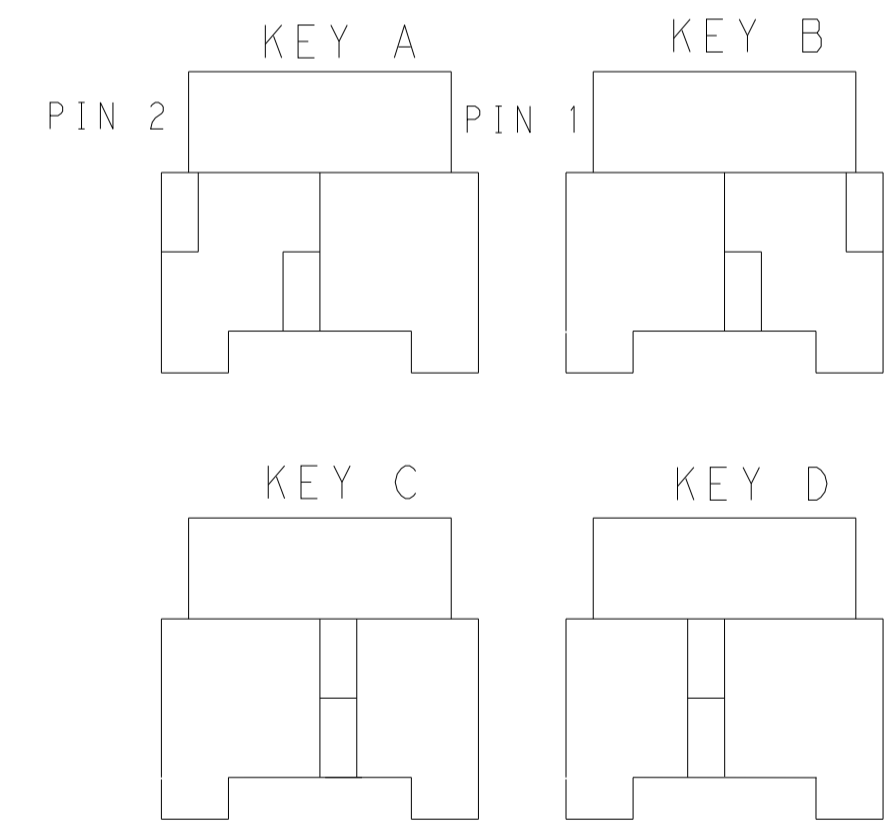


1\*2 POSITIONS

1\*3 POSITIONS

1\*4 POSITIONS

1\*5 POSITIONS



KEYING FOR 1\*2 POS.

KEYING FOR 1\*3 POS.

KEYING FOR 1\*4 POS.

KEYING FOR 1\*5 POS.

POS.	MATERIAL	COLOR	KEY	P/N
1*5	LEVEL A	DARK GREY	KEY A	5-2232265-7
		BROWN	KEY B	6-2232265-7
		GREEN	KEY C	7-2232265-7
		ORANGE	KEY D	8-2232265-7
1*4	LEVEL B	BLACK	KEY A	1-2232265-3
		DARK GREY	KEY A	5-2232265-4
		BROWN	KEY B	6-2232265-4
		GREEN	KEY C	7-2232265-4
1*3	LEVEL A	ORANGE	KEY D	8-2232265-4
		BLACK	KEY A	1-2232265-2
		DARK GREY	KEY A	5-2232265-3
		BROWN	KEY B	6-2232265-3
1*2	LEVEL A	GREEN	KEY C	7-2232265-3
		ORANGE	KEY D	8-2232265-3
		NATURAL	KEY B	2-2232265-1
		BLACK	KEY A	1-2232265-1
POS.	MATERIAL	COLOR	KEY	P/N

THIS DRAWING IS A CONTROLLED DOCUMENT.

DMN: TOMMY WU 26MAR2013	TE Connectivity PLUG HOUSING, SINGLE ROW POWER TRIPLE LOCK
CHK: HAPYE WU 26MAR2013	
APVD: YUHONG MAO 26MAR2013	
NAME: YUHONG MAO	
PRODUCT SPEC: 108-106118	SIZE: CAGE CODE: DRAWING NO: RESTRICTED TO
APPLICATION SPEC: 114-106118	A100779C=2232265
WEIGHT: -	Customer Drawing
SCALE: -	SHEET 2 OF 2
REV: E	