

REVISIONS				
P	LTR	DESCRIPTION	DATE	APVD
	D	PRODUCTION ISSUE	28JAN2019	PNT MT

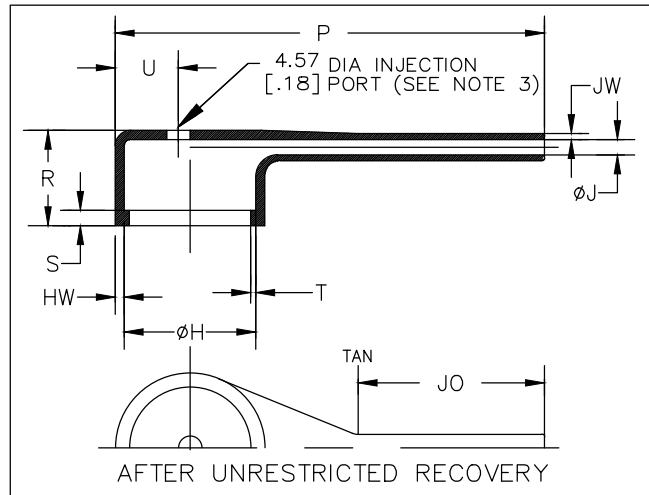
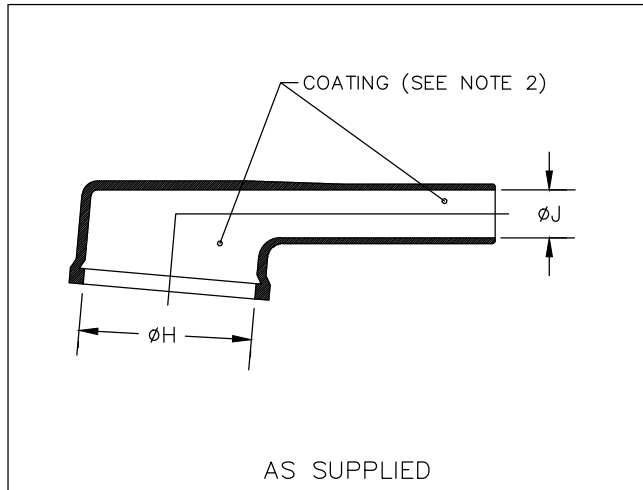


TABLE OF DIMENSIONS


PART NUMBER	H		J		P	R	S	T	U	JO	HW	JW
	Min a	Max b	Min a	Max b	±10% b	Ref b	Ref b	Ref b	±10% b	±10% b	±20% b	±20% b
222D921-25/225	19.3 [.76]	13.0 [.51]	6.3 [.25]	2.1 [.08]	44.5 [1.75]	16.3 [.64]	3.05 [.12]	1.02 [.04]	5.6 [.22]	21.8 [.86]	1.52 [.06]	1.14 [.045]
222D932-25/225	26.1 [1.03]	19.1 [.75]	7.6 [.30]	2.6 [.10]	67.3 [2.65]	18.0 [.71]	3.05 [.12]	1.02 [.04]	8.4 [.33]	29.2 [1.15]	1.78 [.07]	1.14 [.045]
222D953-25/225	34.2 [1.35]	26.0 [1.02]	9.6 [.38]	3.0 [.12]	81.3 [3.20]	18.8 [.74]	3.05 [.12]	1.02 [.04]	11.4 [.45]	36.3 [1.39]	1.78 [.07]	1.14 [.045]
222D963-25/225	43.6 [1.72]	34.1 [1.34]	11.4 [.45]	3.6 [.14]	115.6 [4.55]	21.3 [.84]	3.05 [.12]	1.65 [.065]	15.5 [.61]	47.0 [1.85]	1.78 [.07]	1.14 [.045]

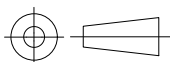
RELEASED FOR PUBLICATION

ALL RIGHTS RESERVED.

THIS DRAWING IS UNPUBLISHED.

© COPYRIGHT - TE Connectivity Ltd.

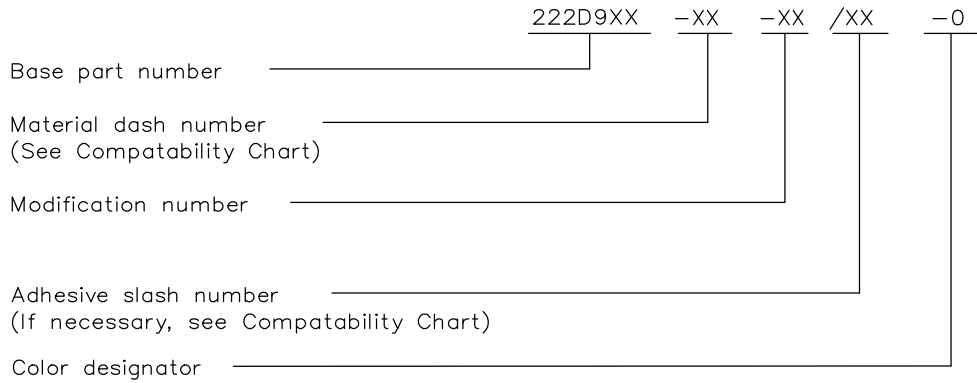
DIMENSIONS: mm [INCHES]	DWN PRAVEEN N T	28JAN2019	MATERIAL	SEE SHEET 2	FINISH	-
	CHK N NAGAR	28JAN2019	 TE Connectivity Ltd.			
TOLERANCES UNLESS OTHERWISE SPECIFIED:	APVD M TAYLOR	28JAN2019				
0 PLC ± -	PRODUCT SPEC	-	NAME BOOT, 90 DEGREES, WITH LIP			
1 PLC ± -	APPLICATION SPEC	-	SIZE	CAGE CODE	DRAWING NO	RESTRICTED TO
2 PLC ± -			A4	00779	C-222D9XX-25/225-0	-
3 PLC ± -			WEIGHT			
4 PLC ± -			CUSTOMER DRAWING			
ANGLES ± -			SCALE	DNS	SHEET	1 OF 2
					REV	D



REVISIONS				
P	LTR	DESCRIPTION	DATE	APVD
	-	SEE SHEET 1	-	-

COMPATABILITY CHART				
MATERIAL DASH NO.	MATERIAL DESCRIPTION	RT SPEC	COATING SLASH NO.	COATING S NO.
-25	Elastomer, Fluid Resistant	RW-2070	/42;/86;/225	S1017;S1048;S1206


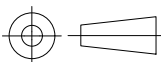
ORDERING INFORMATION



NOTES

- Dimensions appearing in table are as follows:
 - a - As Supplied
 - b - After Unrestricted Recovery
- Coating is optional. As supplied dimensions appearing in table are for uncoated parts. When coating is added, entry diameters will be reduced by 1.5mm[.06] max.
- Molding ports are optional. When -00 modification number is specified molding ports will be located as shown.

THIS DRAWING IS UNPUBLISHED. ALL RIGHTS RESERVED. © COPYRIGHT - TE Connectivity Ltd.

DIMENSIONS: mm [INCHES]	DWN PRAVEEN N T 28JAN2019	MATERIAL -	FINISH -
	CHK N NAGAR 28JAN2019	 TE Connectivity Ltd.	
TOLERANCES UNLESS OTHERWISE SPECIFIED:	APVD M TAYLOR 28JAN2019		
0 PLC ± -	PRODUCT SPEC	SIZE	CAGE CODE
1 PLC ± -	APPLICATION SPEC	DRAWING NO	RESTRICTED TO
2 PLC ± -		A4	00779
3 PLC ± -		C- 222D9XX-25/225-0	
4 PLC ± -			
ANGLES ± -	WEIGHT		
	CUSTOMER DRAWING		SCALE DNS SHEET 2 OF 2 REV D