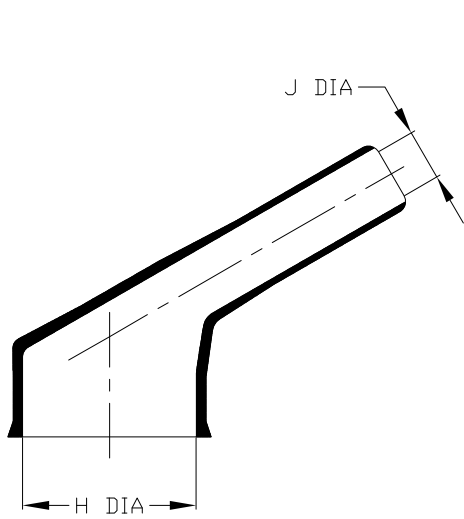
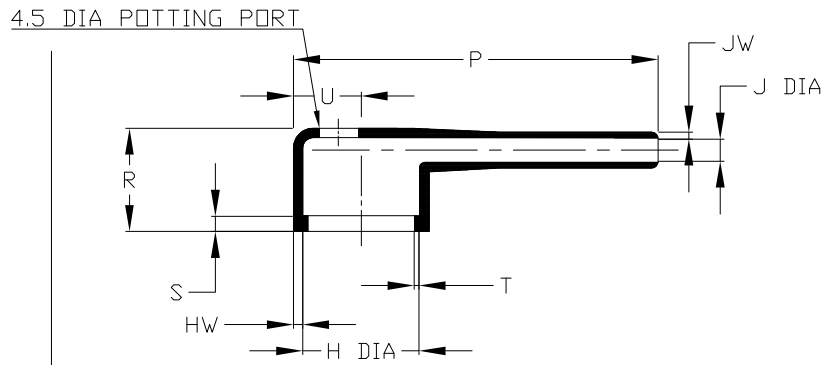


REVISIONS					
P	LTR	DESCRIPTION	DATE	DWN	APVD
	A	PRODUCTION RELEASE	24AUG'16	PV	AP



THIS IS A MODIFIED ANGLE OF EXPANSION ONLY.

EXPANDED PART (a)



RECOVERY PART (b)

(1) Dimensions appearing in Table 1 are as follows -  
(a - As supplied, b - After unrestricted recovery)

(2) Coating is optional. As supplied dimensions appearing in Table 1 are for uncoated parts. When coating is added entry diameters will be reduced by 0.06 max

(3) Molding parts are optional. When -00 modification number is specified molding parts will be located as shown

KITS TO INCLUDE CLEANING TISSUE, 1 PIECE 100 GRIT EMERY CLOTH & 1 PIECE OF ATUM

KIT TO BE USED IN CONJUNCTION WITH TCFS INSTALLATION PROCEDURE

TABLE 1 - TABLE OF DIMENSIONS

PART NO	H		J			P	R	S	T	U	J0	HW	JW
	Min	Max	Min	Min	Max	±10%	Ref	Ref	Ref	±10%	±10%	±20%	±20%
	a	b	-3,-4,-25 a	-12,-100 a	b	b	b	b	b	b	b	b	b
222D921-X-G90	19.3	13.0	6.3	4.5	2.1	44.5	16.3	3.05	1.02	5.6	21.8	1.52	1.14
222D932-X-G90	26.1	19.1	7.6	5.6	2.6	67.3	18.0	3.05	1.02	8.4	29.2	1.78	1.14
222D953-X-G90	34.2	26.0	9.6	6.6	3.0	81.3	18.8	3.05	1.02	11.4	36.3	1.78	1.14
222D963-X-G90	43.6	34.1	11.4	7.8	3.6	115.6	21.3	3.05	1.65	15.5	47.0	1.78	1.14

RELEASED FOR PUBLICATION AUG , 2016.

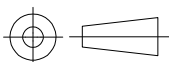
ALL RIGHTS RESERVED.

THIS DRAWING IS UNPUBLISHED.

ALL RIGHTS RESERVED.

© COPYRIGHT 2016 By TE CONNECTIVITY

DIMENSIONS: mm	DWN P. VU	24AUG2016	MATERIAL	SEE TABLE 2	FINISH	-
	CHK N. NAGAR	24AUG2016				
TOLERANCES UNLESS OTHERWISE SPECIFIED:	APVD A. POOLE	24AUG2016				
0 PLC ± -	PRODUCT SPEC	-	NAME 222D921 BOOT 90° -G90 WITH LIP			
1 PLC ± -	APPLICATION SPEC	-	SIZE	CAGE CODE	DRAWING NO	RESTRICTED TO
2 PLC ± -	WEIGHT	-	A4	06090	C-222D921-XX-G90	-
3 PLC ± -			CUSTOMER DRAWING			SCALE
4 PLC ± -						NTS
ANGLES ± -						SHEET
						1 OF 2
						REV
						A



REVISIONS					
P	LTR	DESCRIPTION	DATE	DWN	APVD
	-	SEE SHEET 1	-	-	-

TABLE 2 - MATERIAL TABLE

COMPATABILITY CHART					
MATERIAL DASH NO.	MATERIAL DESCRIPTION	RT SPEC	COATING SLASH NO.	COATING S NO.	COATING DESCRIPTION
-3	Polyolefin, Semi-rigid	RT-301	/42;/86;/87	S-1017;S-1048;S-1052	Adhesive
-4	Polyolefin, Flexible	RT-1304	/42;/86;/87	S-1017;S-1048;S-1052	Adhesive
-12	*VITON, Flexible	RT-1312	N/A		
-25	Elastomer, Fluid Resistant	RT-1325	/86	S-1048	Adhesive
-100	Polyolefin, Semi-flexible ZEROHAL™	RT-1323	/86;/184	S-1048;S-1030	Adhesive

ORDERING INFORMATION

Base part number \_\_\_\_\_ 222D9XX -XX -XX /XXX

Material dash number \_\_\_\_\_  
(See Compatability Chart)

Modification number \_\_\_\_\_  
(If necessary, see front of scd binder for a complete list)


Adhesive slash number \_\_\_\_\_  
(If necessary, see Compatability Chart)

AUG , 2016.

RELEASED FOR PUBLICATION

ALL RIGHTS RESERVED.

© COPYRIGHT 2016 By TE CONNECTIVITY

DIMENSIONS: mm  TOLERANCES UNLESS OTHERWISE SPECIFIED:  0 PLC ± - 1 PLC ± - 2 PLC ± - 3 PLC ± - 4 PLC ± - ANGLES ± -	DWN P. VU 24AUG2016	MATERIAL SEE TABLE 2	FINISH -			
	CHK N. NAGAR 24AUG2016	 TE Connectivity				
	APVD A. POOLE 24AUG2016					
	PRODUCT SPEC -	NAME 222D921 BOOT 90° -G90 WITH LIP				
APPLICATION SPEC -	SIZE A4	CAGE CODE 06090	DRAWING NO C-222D921-XX-G90	RESTRICTED TO -		
WEIGHT	CUSTOMER DRAWING			SCALE NTS	SHEET 2 OF 2	REV A

