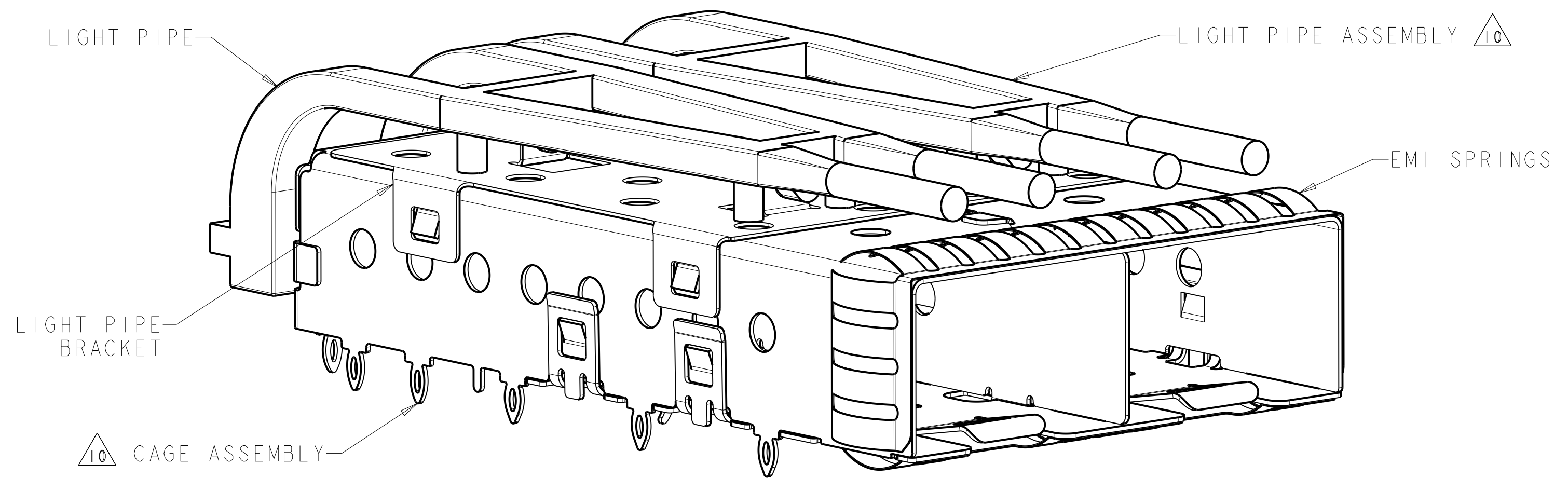
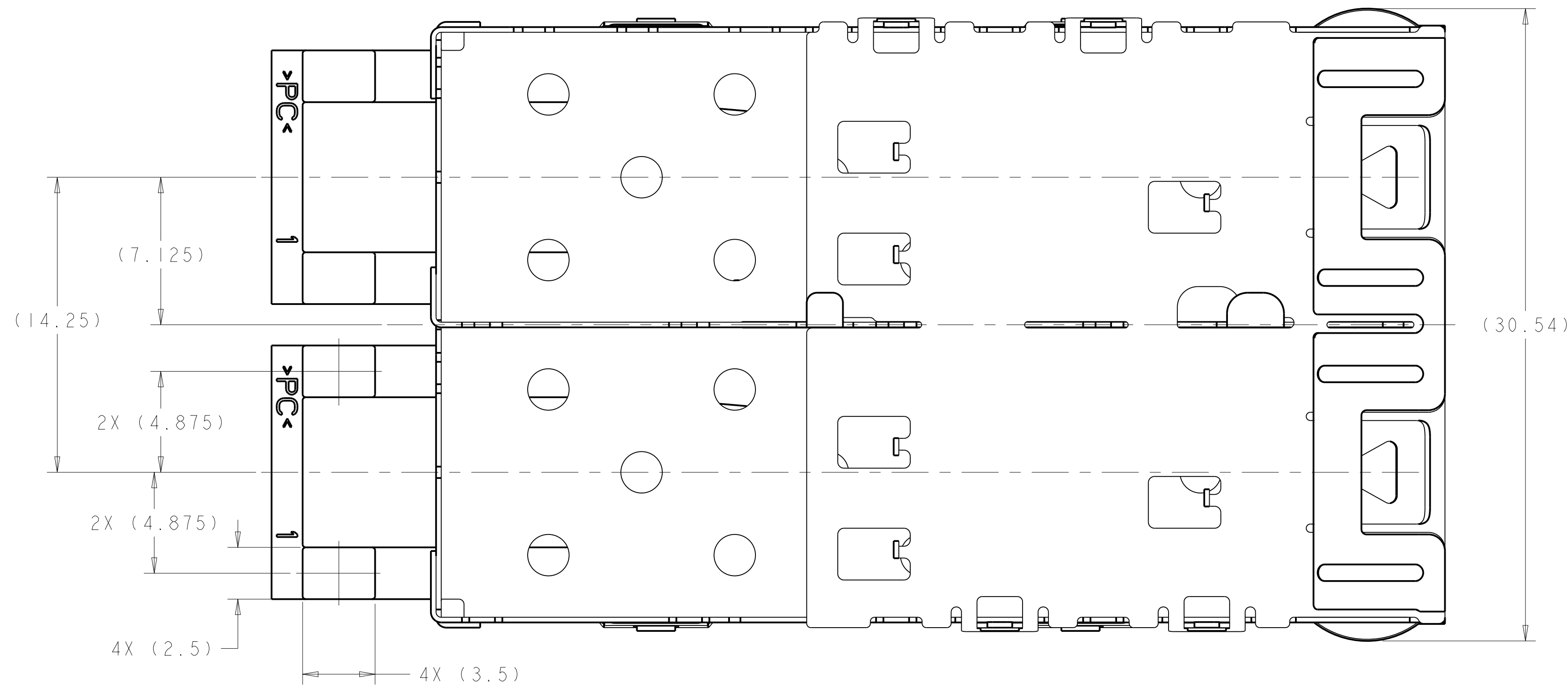
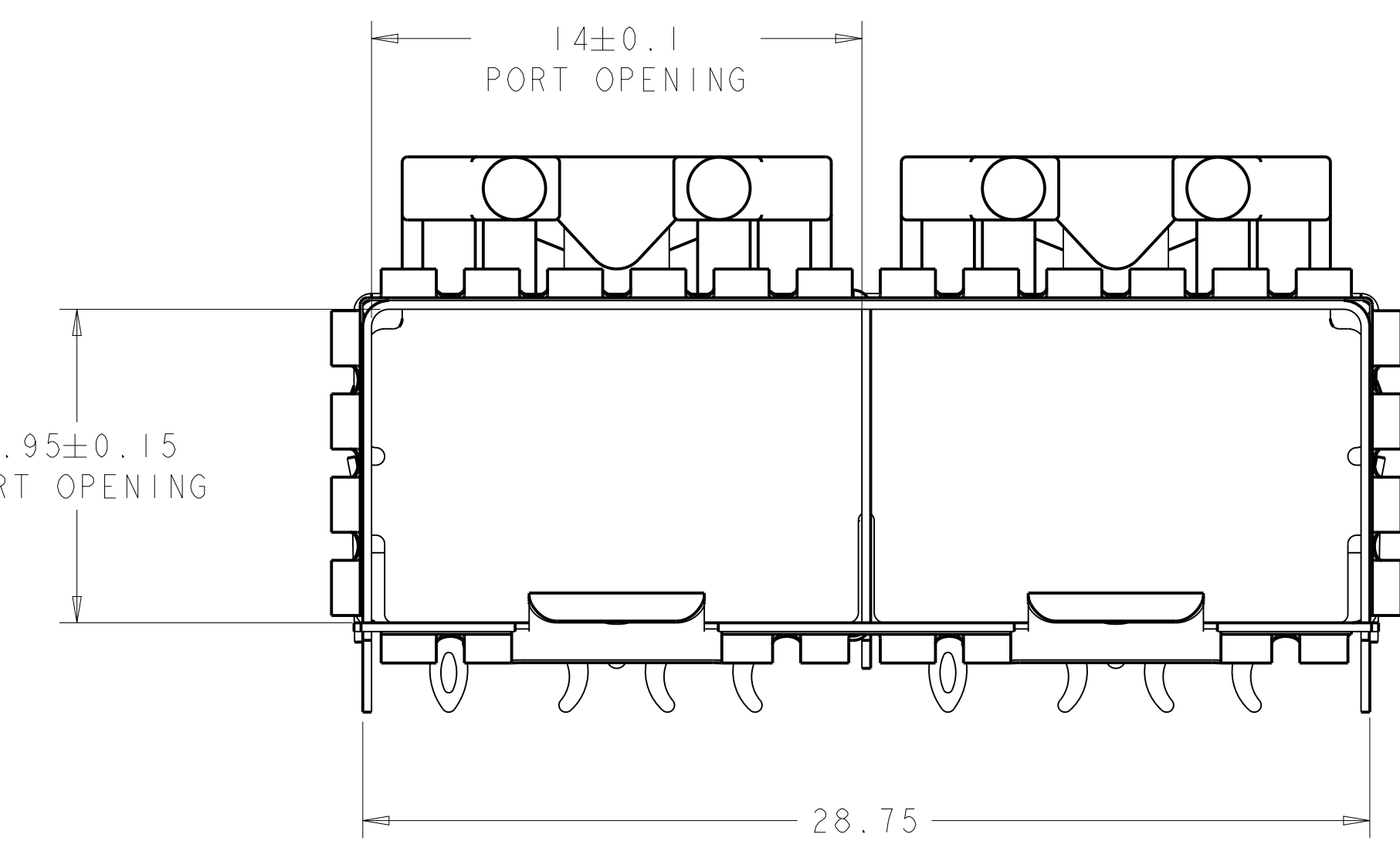
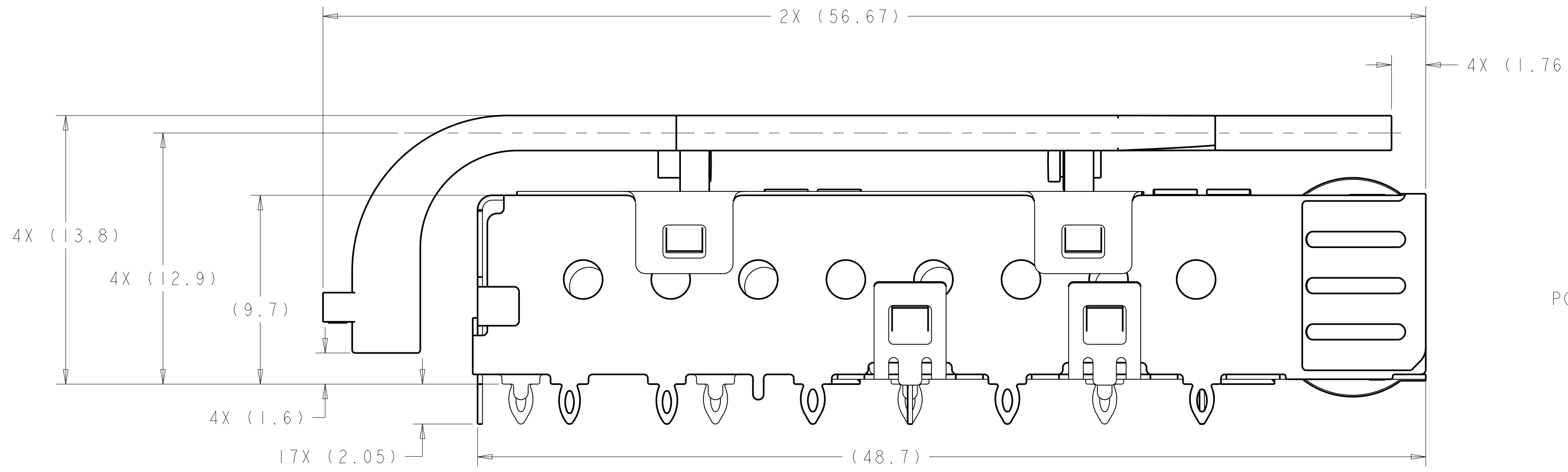


LOC		DIST		REVISIONS			
GP	00	P	LTN	DESCRIPTION	DATE	DWN	APVD
		I		ORIGINAL	03JAN2013	BMM	MRS



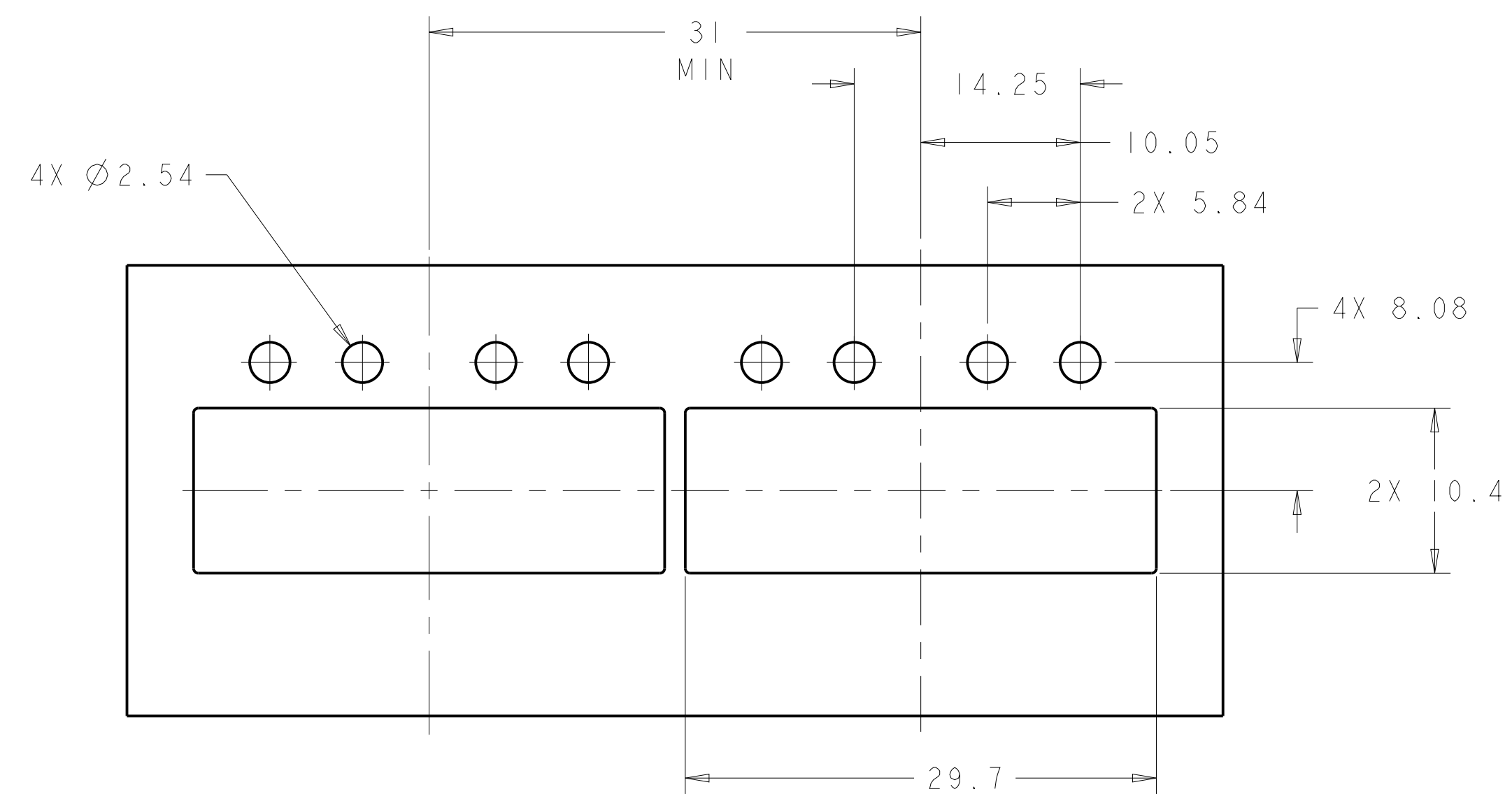
2227647-1
 FINISHED ASSEMBLY
 SCALE 5:1

- 1. MATERIAL:
 CAGE ASSEMBLY: 0.25mm THICK NICKEL SILVER ALLOY
 LIGHT PIPE BRACKET: STAINLESS STEEL
 LIGHT PIPE: POLYCARBONATE, CLEAR
- 2. FINISH:
 SPRINGS: MINIMUM OF 0.8um MATTE TIN PLATE OVER A MINIMUM OF 0.8um NICKEL UNDERPLATE. NON-PLATED EDGES PERMISSIBLE.
- 3. MATES WITH SFP MSA COMPLIANT TRANSCEIVERS.
- 4. PADS AND VIAS CHASSIS GROUND.
- 5. INTERPRETATION OF DATUM REFERENCE FRAME IN ACCORDANCE WITH SECT 4.4.1.1 OF ASME Y14.5M-1994.
- 6. MINIMUM PC BOARD THICKNESS:
 SINGLE SIDED = 1.50
 DOUBLE SIDED = 2.25
- 7. HOLE PATTERN REPEATS FOR EACH PORT. SPACING BETWEEN PORTS IS 14.25mm.
- 8. REFERENCE APPLICATION SPEC. 114-13120, HOLE A, FOR RECOMMENDED DRILL HOLE DIAMETER AND PLATING THICKNESS.
- 9. REFERENCE APPLICATION SPEC. 114-13120, HOLE B, FOR RECOMMENDED DRILL HOLE DIAMETER AND PLATING THICKNESS.
- 10. LIGHT PIPE ASSEMBLY SHIPPED UNASSEMBLED TO CAGE ASSEMBLY. CAGE ASSEMBLY TO BE PRESSED INTO THE PCB PRIOR TO ATTACHING THE LIGHT PIPE ASSEMBLY TO THE CAGE.
- 11. DATUM AND BASIC DIMENSION ESTABLISHED BY CUSTOMER.
- 12. CERTAIN MATING TRANSCEIVERS MAY REQUIRE ADDITIONAL PCB THICKNESS THAT WOULD NEED TO BE DETERMINED BY THE CUSTOMER.
- 13. PRODUCT COMPLIES WITH SPECIFICATION SFF-8433 IMPROVED PLUGGABLE FORM FACTOR FOR SFP+ GANGED CAGES.

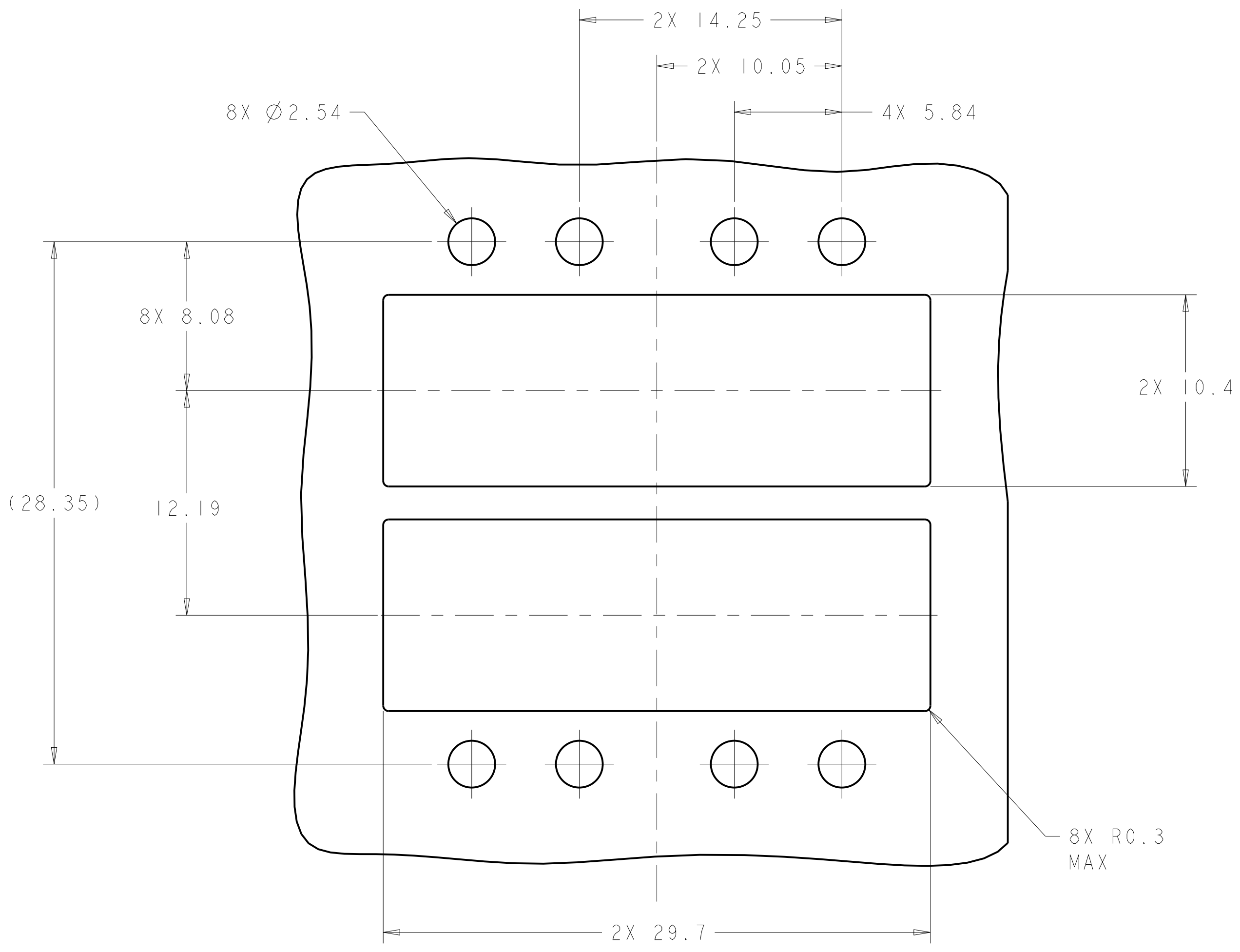
2227647-1
 PART NUMBER

THIS DRAWING IS A CONTROLLED DOCUMENT.		DWN B. MATTHEWS 03JAN2013	03JAN2013	TE Connectivity NAME SFP+ 1X2 CAGE ASSEMBLY PRESS FIT, EXTERNAL EMI SPRINGS WITH LIGHT PIPES
DIMENSIONS: mm		CHK M. SCHMITT 03JAN2013	03JAN2013	
TOLERANCES UNLESS OTHERWISE SPECIFIED:		APVD M. SCHMITT 03JAN2013	03JAN2013	SIZE A1
0 PLC	±0.1	PRODUCT SPEC	108-2364	RESTRICTED TO
2 PLC	±0.1	APPLICATION SPEC	114-13120	
3 PLC	±0.1	WEIGHT	-	
4 PLC	±0.1	Customer Drawing		
ANGLES	±1°	SCALE	2:1	SHEET 1 OF 4
MATERIAL		REV	A	

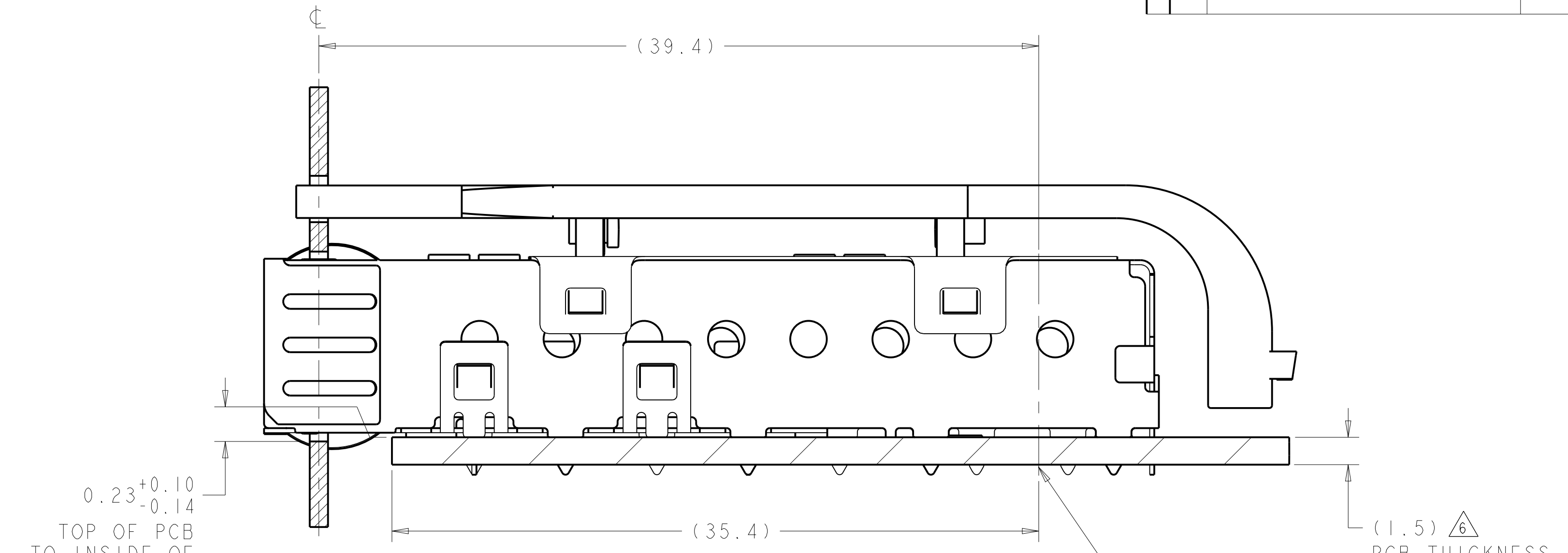
LOC		DIST		REVISIONS			
GP	00	P	LTN	DESCRIPTION	DATE	DWN	APVD
		-		SEE SHEET 1	-	-	-



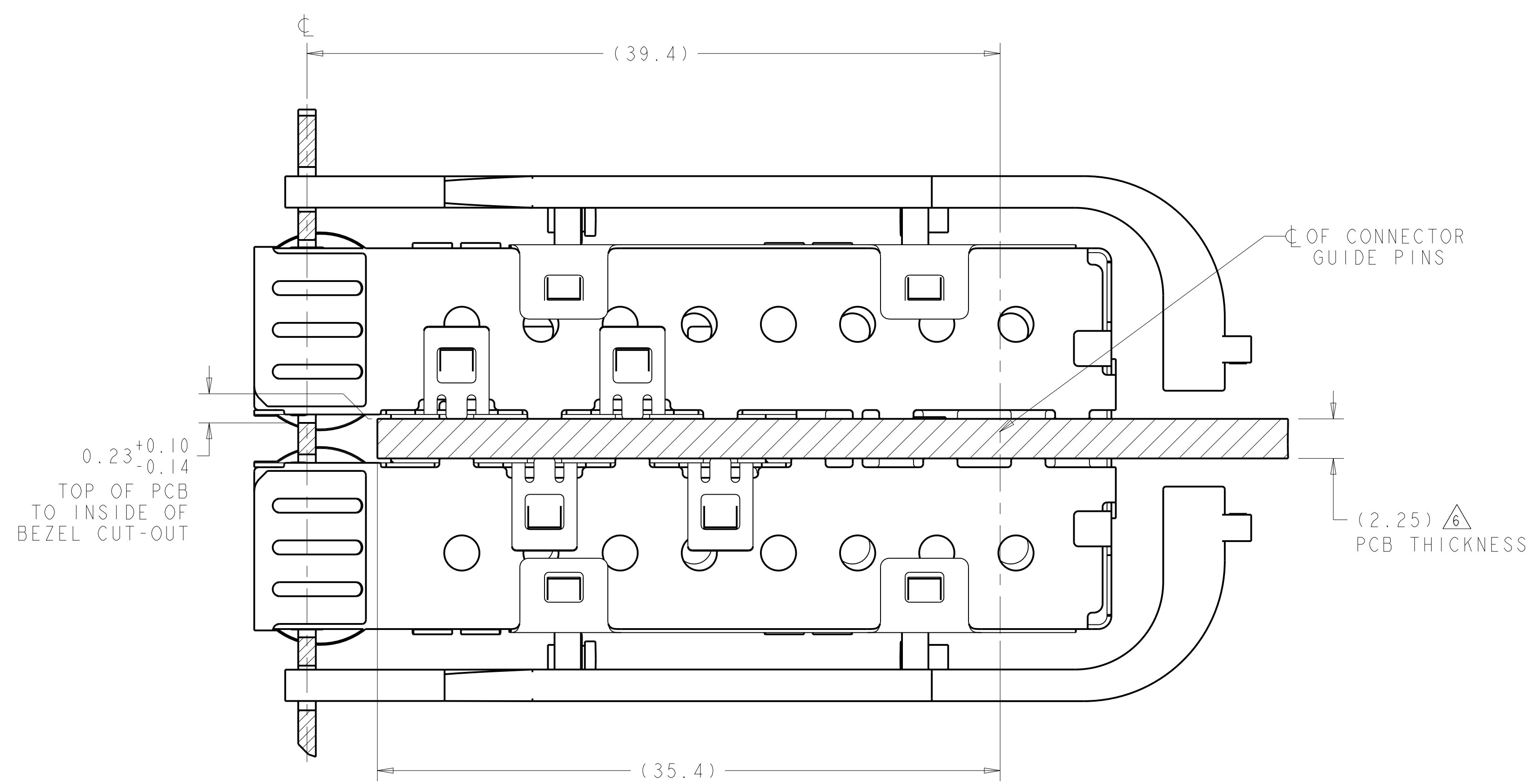
RECOMMENDED BEZEL CUT-OUT
 SINGLE SIDED APPLICATIONS
 SCALE 3:1



RECOMMENDED BEZEL CUT-OUT
 BELLY TO BELLY APPLICATIONS
 SCALE 5:1



2227647-1
 MOUNTED ON PCB
 SHOWN THRU RECOMMENDED BEZEL
 SCALE 5:1



2227647-1
 MOUNTED BELLY TO BELLY ON PCB
 SHOWN THRU RECOMMENDED BEZEL
 SCALE 5:1

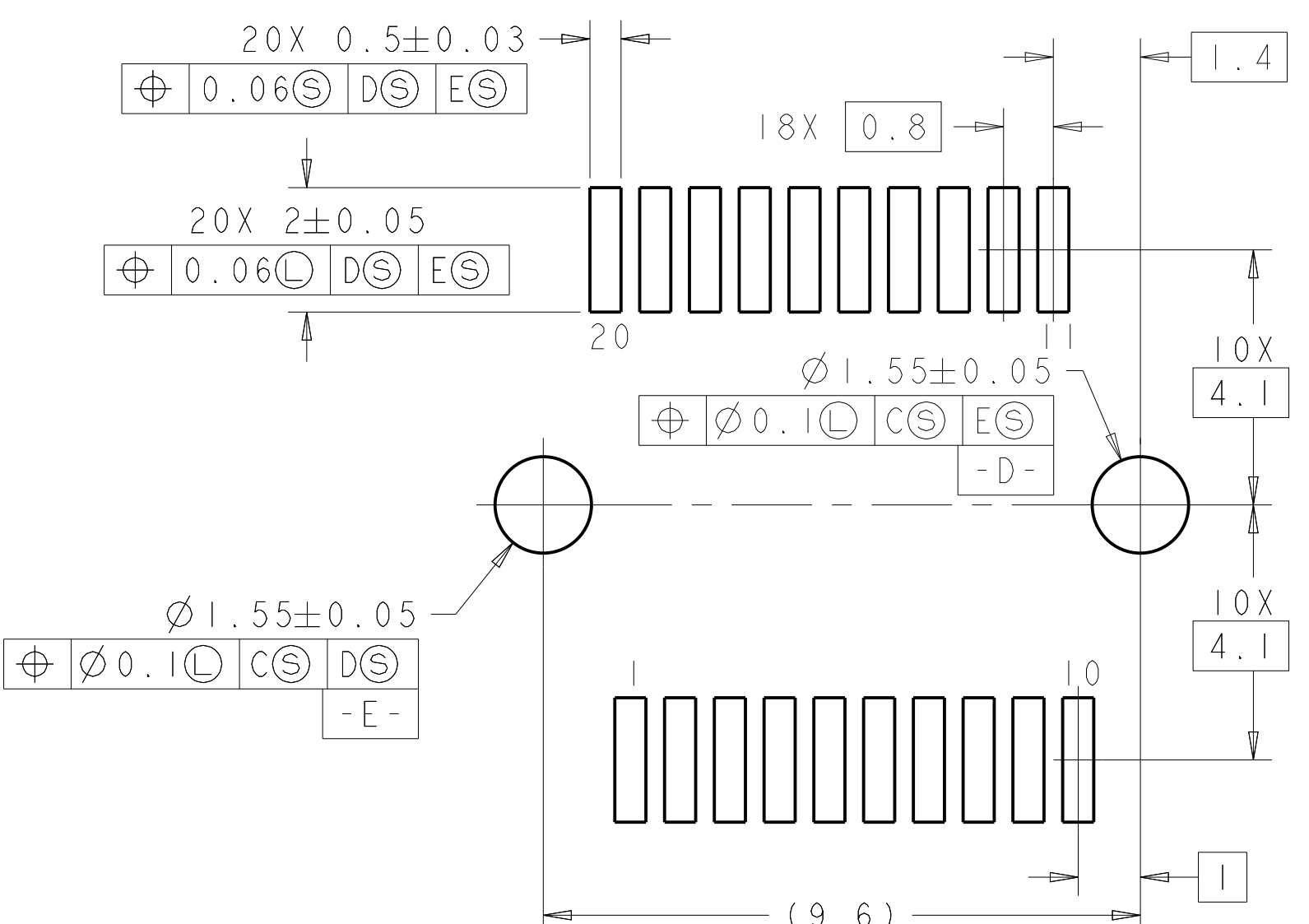
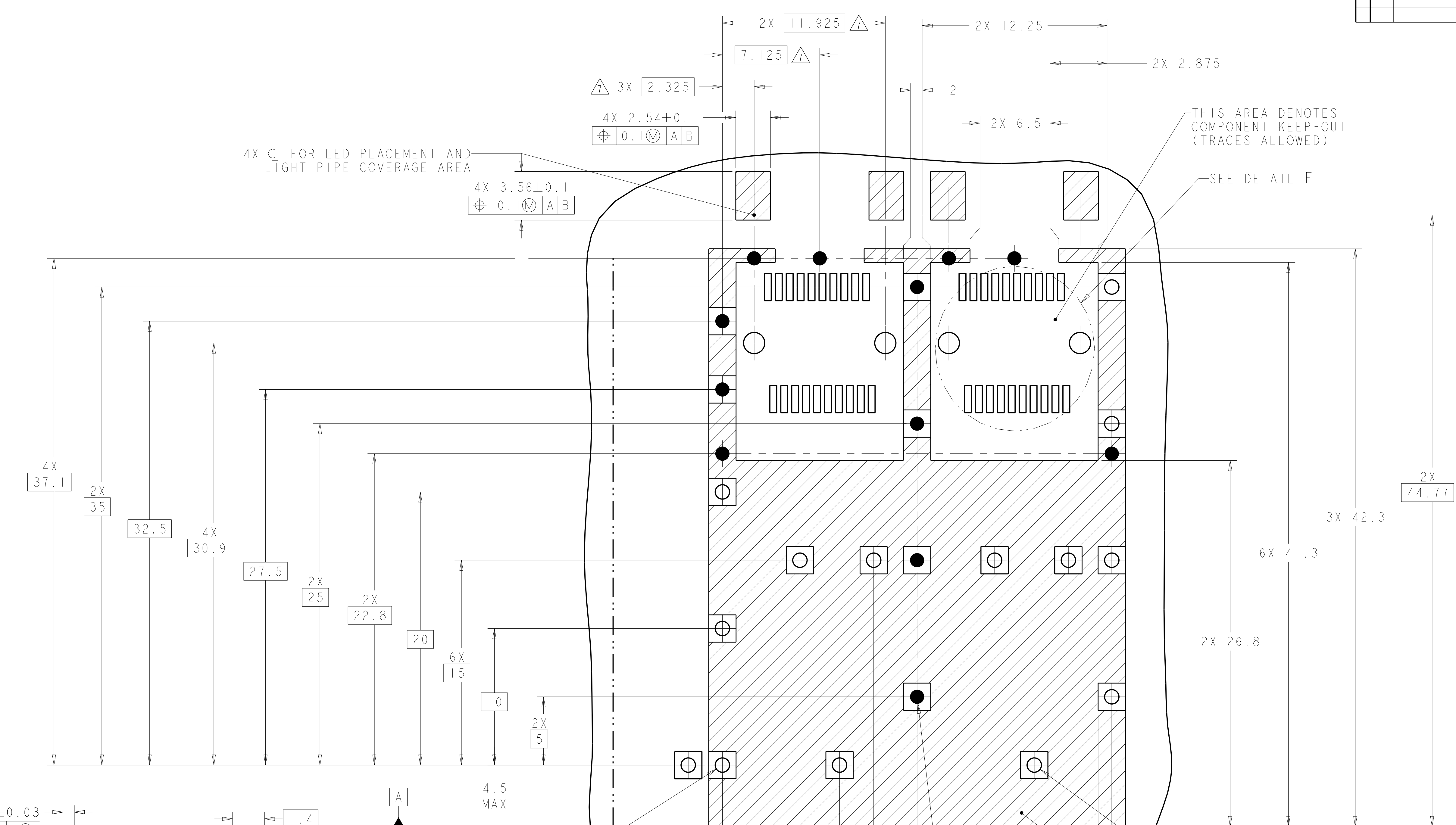
THIS DRAWING IS A CONTROLLED DOCUMENT.		DWN B. MATTHEWS 03JAN2013	TE Connectivity
DIMENSIONS: mm		CHK M. SCHMITT 03JAN2013	
TOLERANCES UNLESS OTHERWISE SPECIFIED:		APVD M. SCHMITT 03JAN2013	NAME SFP+ 1X2 CAGE ASSEMBLY PRESS FIT, EXTERNAL EMI SPRINGS WITH LIGHT PIPES
0 PLC ±0.1	1 PLC ±0.1	PRODUCT SPEC	SIZE A100779
2 PLC ±0.1	3 PLC ±0.1	108-2364	CAGE CODE C=2227647
4 PLC ±0.1	ANGLES ±0.1	APPLICATION SPEC	RESTRICTED TO
MATERIAL	FINISH	114-13120	SCALE 2:1 SHEET 2 OF 4 REV A
Customer Drawing		WEIGHT	

LOC	DIST	REV	DATE	APPD	REVISIONS
GP	00	-	-	-	SEE SHEET 1

4X ϕ FOR LED PLACEMENT AND LIGHT PIPE COVERAGE AREA

THIS AREA DENOTES COMPONENT KEEP-OUT (TRACES ALLOWED)

SEE DETAIL F

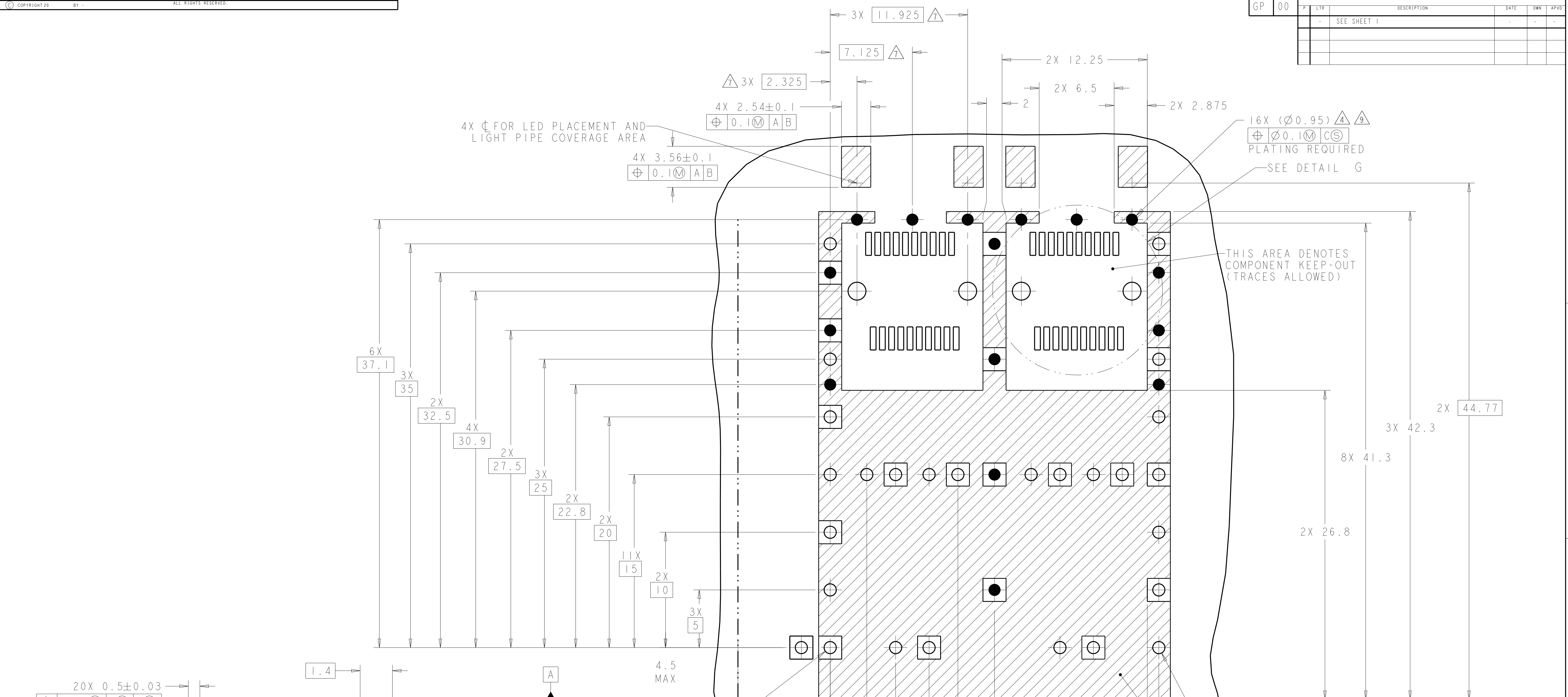


DETAIL F
RECOMMENDED PT CONNECTOR LAYOUT
2X INDIVIDUALLY
SCALE 10:1

RECOMMENDED PCB CONFIGURATION
WITH KEEP-OUT AREAS
SINGLE SIDED APPLICATION

THIS DRAWING IS A CONTROLLED DOCUMENT.		OWN: B. MATTHEWS 03JAN2013	STE TE Connectivity
DIMENSIONS: mm		CHK: M. SCHMITT 03JAN2013	
TOLERANCES UNLESS OTHERWISE SPECIFIED:		APPD: M. SCHMITT 03JAN2013	NAME: SFP+ 1X2 CAGE ASSEMBLY PRESS FIT, EXTERNAL EMI SPRINGS WITH LIGHT PIPES
0 PLC	#0.1	PRODUCT SPEC	SIZE: CAGE CODE DRAWING NO. RESTRICTED TO
2 PLC	#0.1	108-2364	A100779C=2227647
3 PLC	#0.1	APPLICATION SPEC	Customer Drawing
4 PLC	#0.1	114-13120	SCALE: 2:1 SHEET 3 OF 4 REV A
ANGLES	#1°	WEIGHT	

LOC	DIST	REVISIONS			
GP	00	REV	DATE	BY	APPV
		1	SEE SHEET 1		



4X ϕ FOR LED PLACEMENT AND LIGHT PIPE COVERAGE AREA

16X (Ø0.95) Δ Δ
 ϕ Ø0.10 C S
 PLATING REQUIRED
 SEE DETAIL G

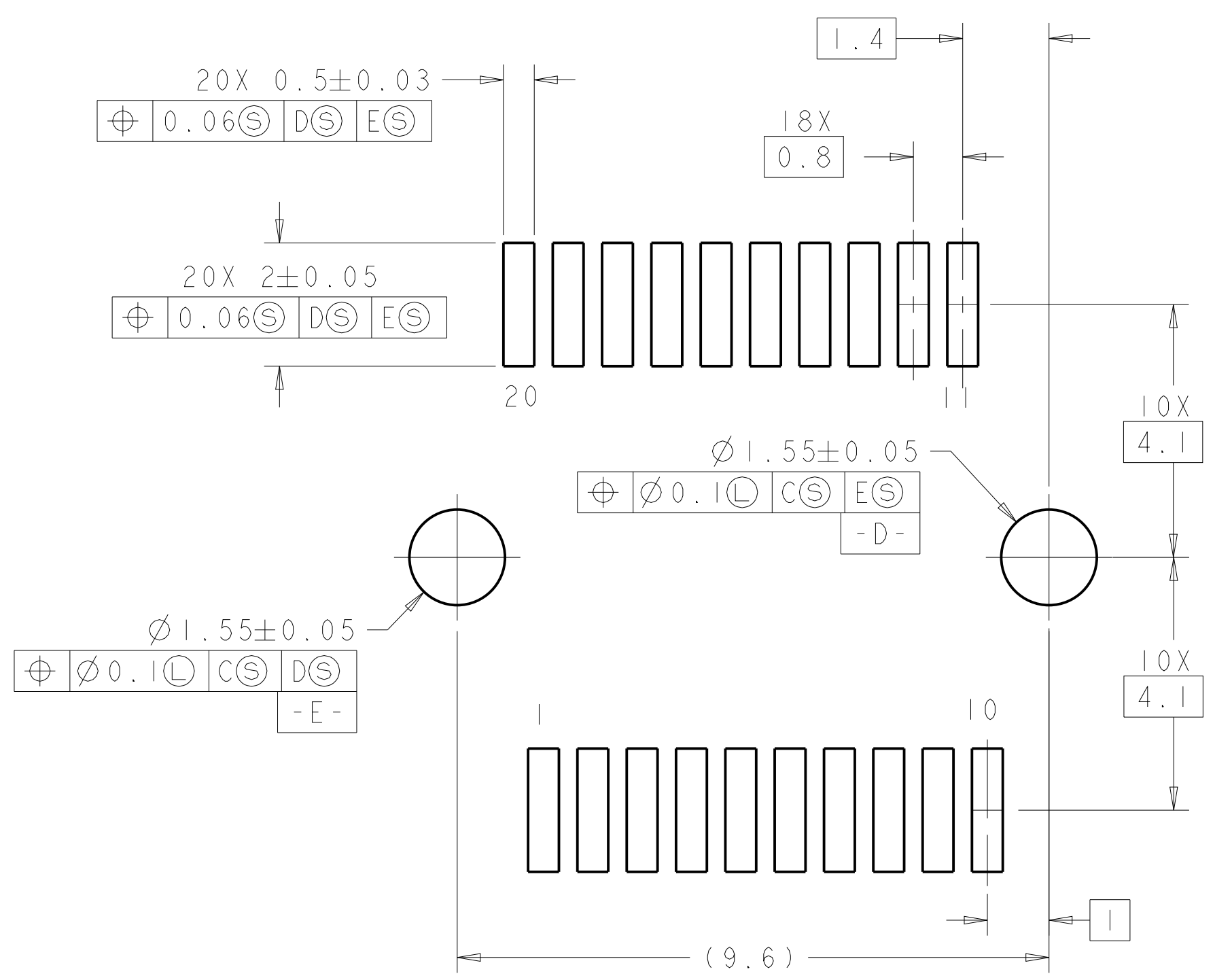
THIS AREA DENOTES COMPONENT KEEP-OUT (TRACES ALLOWED)

Δ Δ (Ø1.05)
 ϕ Ø0.10 A B
 PLATING REQUIRED
 -C-

25X (Ø1.05) Δ Δ
 ϕ Ø0.10 C S
 PLATING REQUIRED

CROSS-HATCHED AREA DENOTES COMPONENT AND TRACE KEEP-OUT (EXCEPT CHASSIS GROUND)

RECOMMENDED PCB CONFIGURATION WITH KEEP-OUT AREAS BELLY TO BELLY APPLICATIONS Δ



DETAIL G
 RECOMMENDED PT CONNECTOR LAYOUT
 4X INDIVIDUALLY
 SCALE 12:1

THIS DRAWING IS A CONTROLLED DOCUMENT.		OWN: B. MATTHEWS CHK: M. SCHMITT APPV: M. SCHMITT	03JAN2013 03JAN2013 03JAN2013	TE Connectivity NAME: SFP+ 1X2 CAGE ASSEMBLY PRESS FIT, EXTERNAL EMI SPRINGS WITH LIGHT PIPES
DIMENSIONS: mm	TOLERANCES UNLESS OTHERWISE SPECIFIED:	PRODUCT SPEC: 108-2364	APPLICATION SPEC: 114-13120	
MATERIAL:	FINISH: μm	WEIGHT:	SIZE: A100779	RESTRICTED TO: -
Customer Drawing		SCALE: 2:1	SHEET: 4 OF 4	REV: A