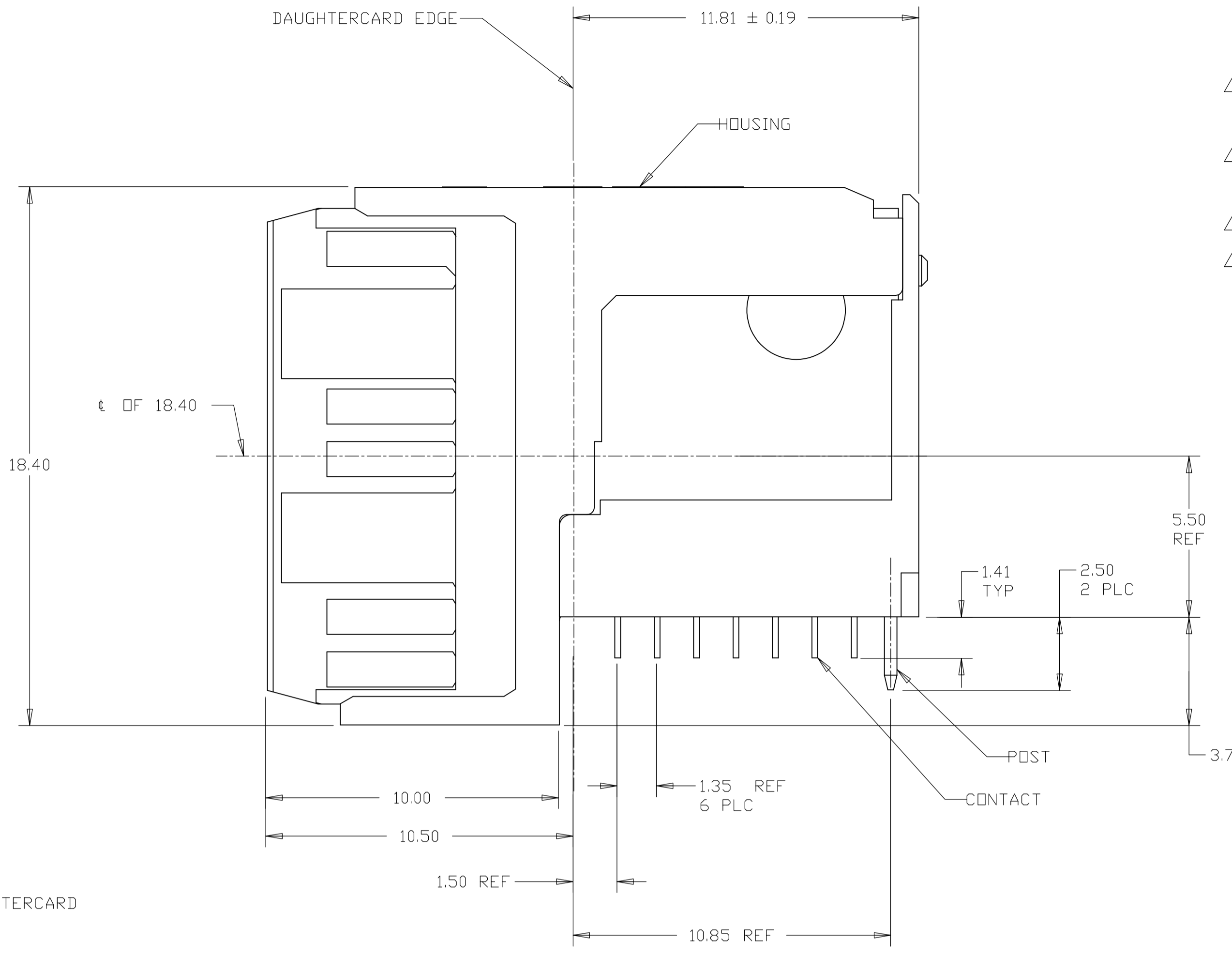
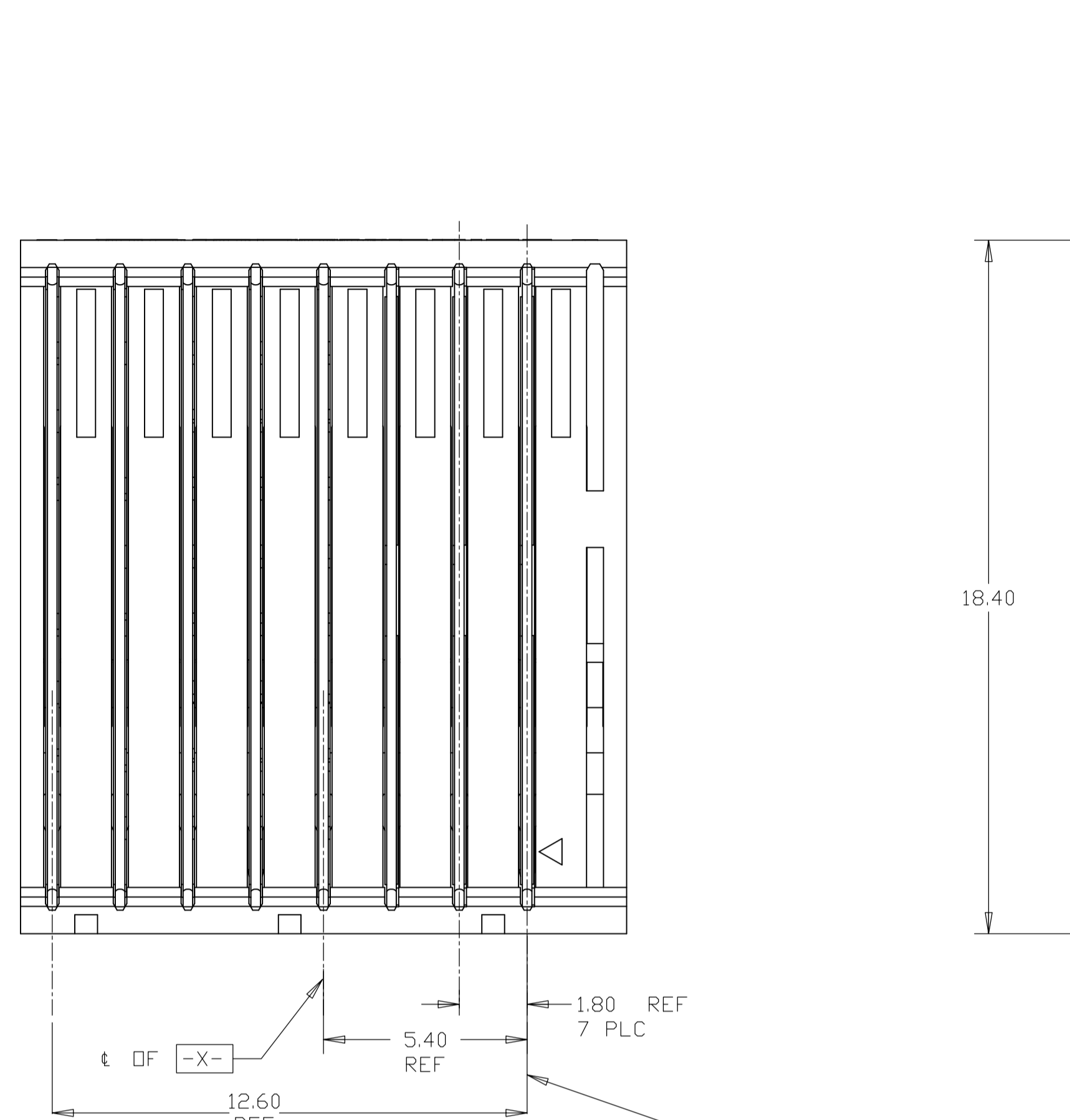


LOC		DIST		REVISIONS			
P	LTR	DESCRIPTION	DATE	DN	APVD		
A		RELEASED PER ECO 13-009070	8-12-13	CT	DH		

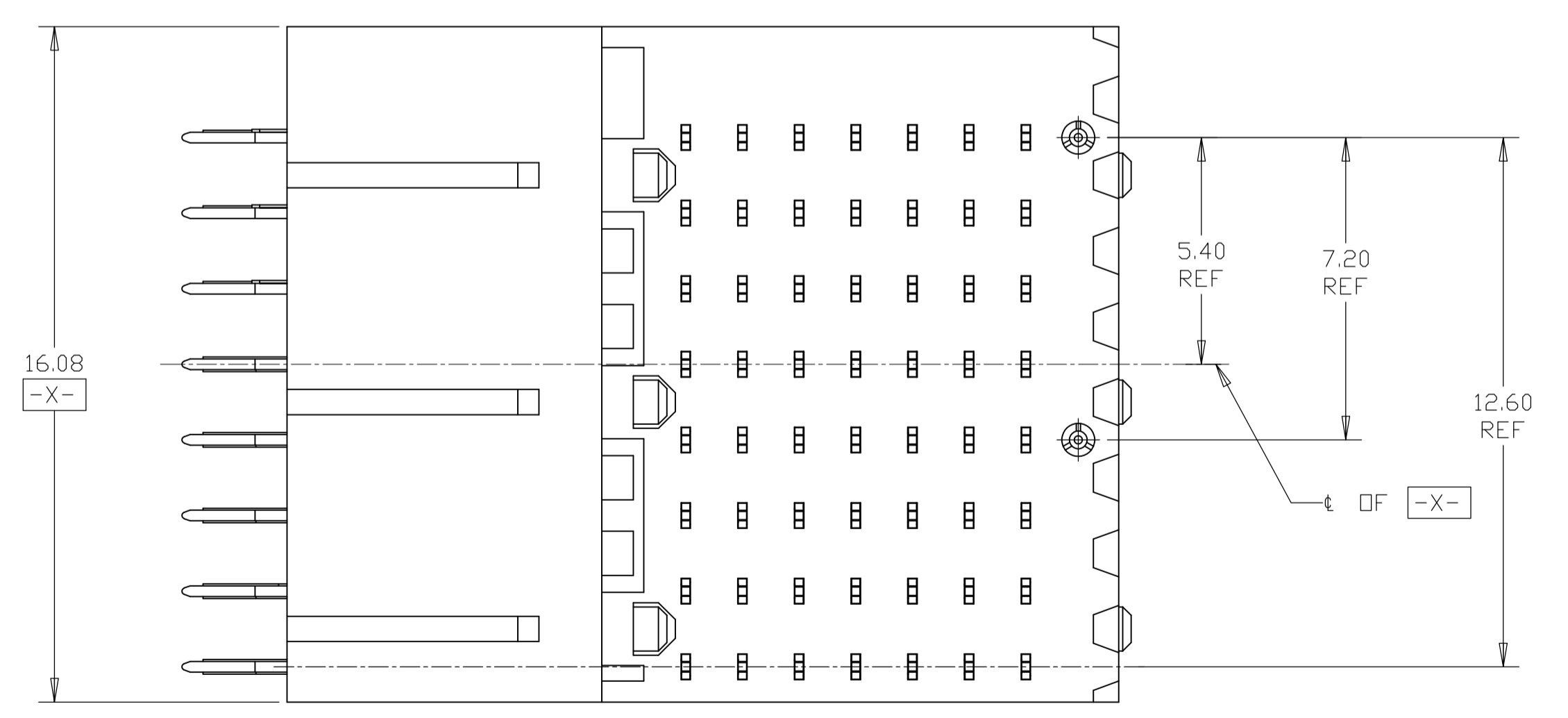
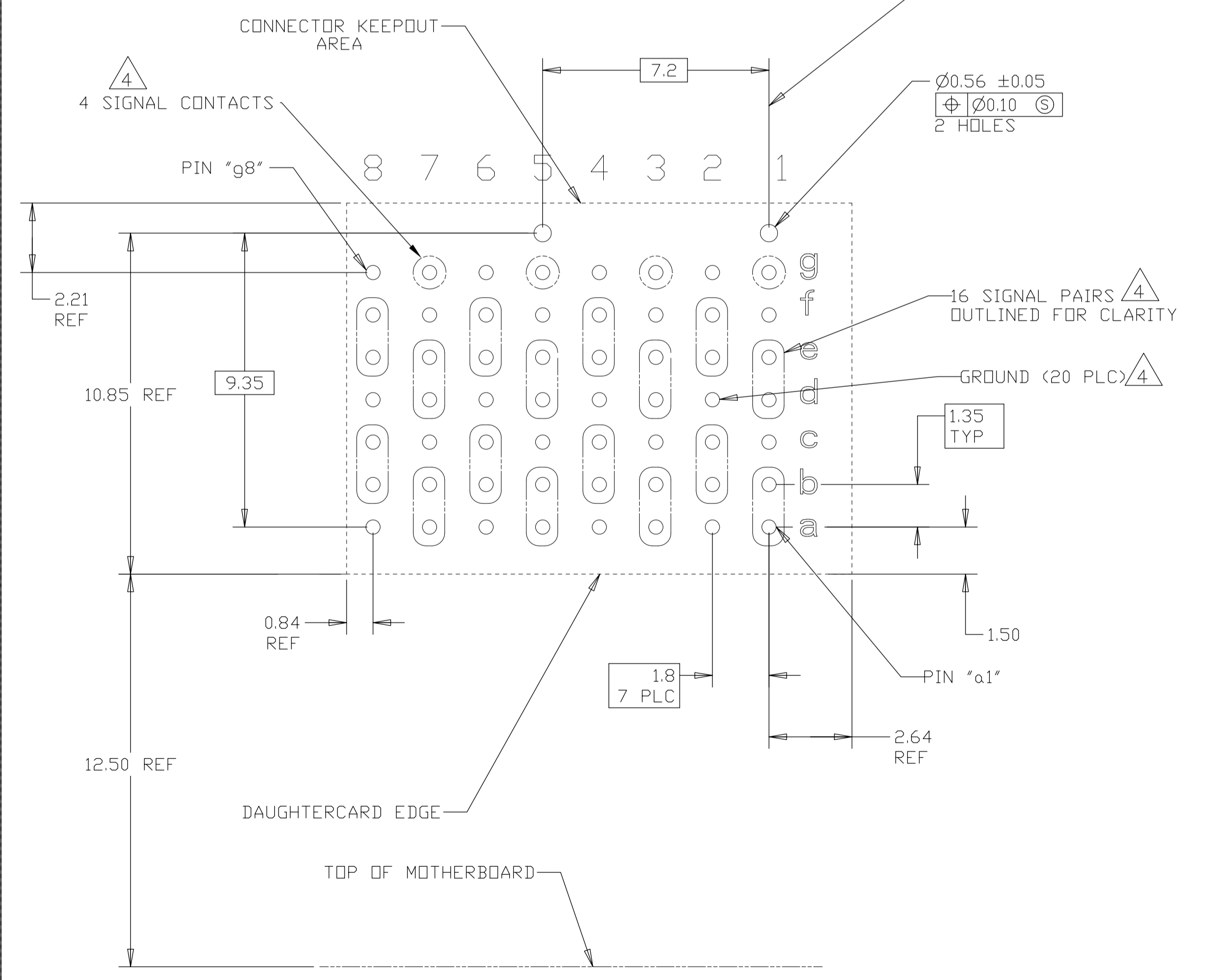


- 1 HOUSING: LCP, UL94V0, COLOR: BLACK.
CONTACT: PHOSPHOR BRONZE.
POST: BRASS WIRE
- 2 CONTACT: 1.27µm MIN GOLD IN PAD CONTACT AREA, 1.27µm MIN TIN-LEAD ON PCB TAIL OVER 1.27µm MIN. NICKEL OVER ALL.
POST: 1.27µm MIN NICKEL PLATED.
- 3 PLATED THROUGH HOLE PER TE SPEC. 114-13056, FIGURE 4
- 4 SEE TABLE 1 FOR INTERCONNECTIONS TO BACKPLANE CONNECTOR.

TABLE 1
INTERCONNECTIONS WITH BACKPLANE CONNECTOR

TYPICAL INTERCONNECTIONS FOR COLUMN (WAFER) 2,4,6,8		
CONTACT USAGE	DAUGHTERCARD CONNECTOR PIN	BACKPLANE CONNECTOR PIN
SIGNAL PAIR	bx	cx
SIGNAL PAIR	ex	gx
SIGNAL PAIR	fx	hx
GROUND	ax,dx,ox, (ALL COMMONED)	ax,bx,ex, fx, ix

TYPICAL INTERCONNECTIONS FOR COLUMN (WAFER) 1,3,5,7		
CONTACT USAGE	DAUGHTERCARD CONNECTOR PIN	BACKPLANE CONNECTOR PIN
SIGNAL PAIR	ax	ax
SIGNAL PAIR	bx	bx
SIGNAL PAIR	dx	ex
SIGNAL PAIR	ex	fx
SIGNAL	gx	ix
GROUND	cx,fx (ALL COMMONED)	cx,dx,gx,hx



PC BOARD LAYOUT (CONNECTOR SIDE)
SCALE 8:1

2221810-1
PART NUMBER

THIS DRAWING IS A CONTROLLED DOCUMENT.		DN C.C.THOMAS 7-18-13	TE Connectivity
DIMENSIONS: mm		CHK D.HOANG 7-18-13	
TOLERANCES UNLESS OTHERWISE SPECIFIED:		APVD D.HOANG 7-18-13	NAME
0 PLC ± -		PRODUCT SPEC	RIGHT ANGLE PLUG ASSEMBLY
1 PLC ± 0.5		APPLICATION SPEC	7 ROW,20.3mm,MULTI-GIG RT 2-R
2 PLC ± 0.13		SIZE	DAUGHTERCARD CONNECTOR
3 PLC ± -		CAGE CODE	DRAWING NO
4 PLC ± -		114-13056	RESTRICTED TO
ANGLES ± 1°		WEIGHT	5.41g
MATERIAL		SCALE	NTS
FINISH		SHEET	1 OF 1
SEE TABLE		REV	A
CUSTOMER DRAWING		SCALE	NTS