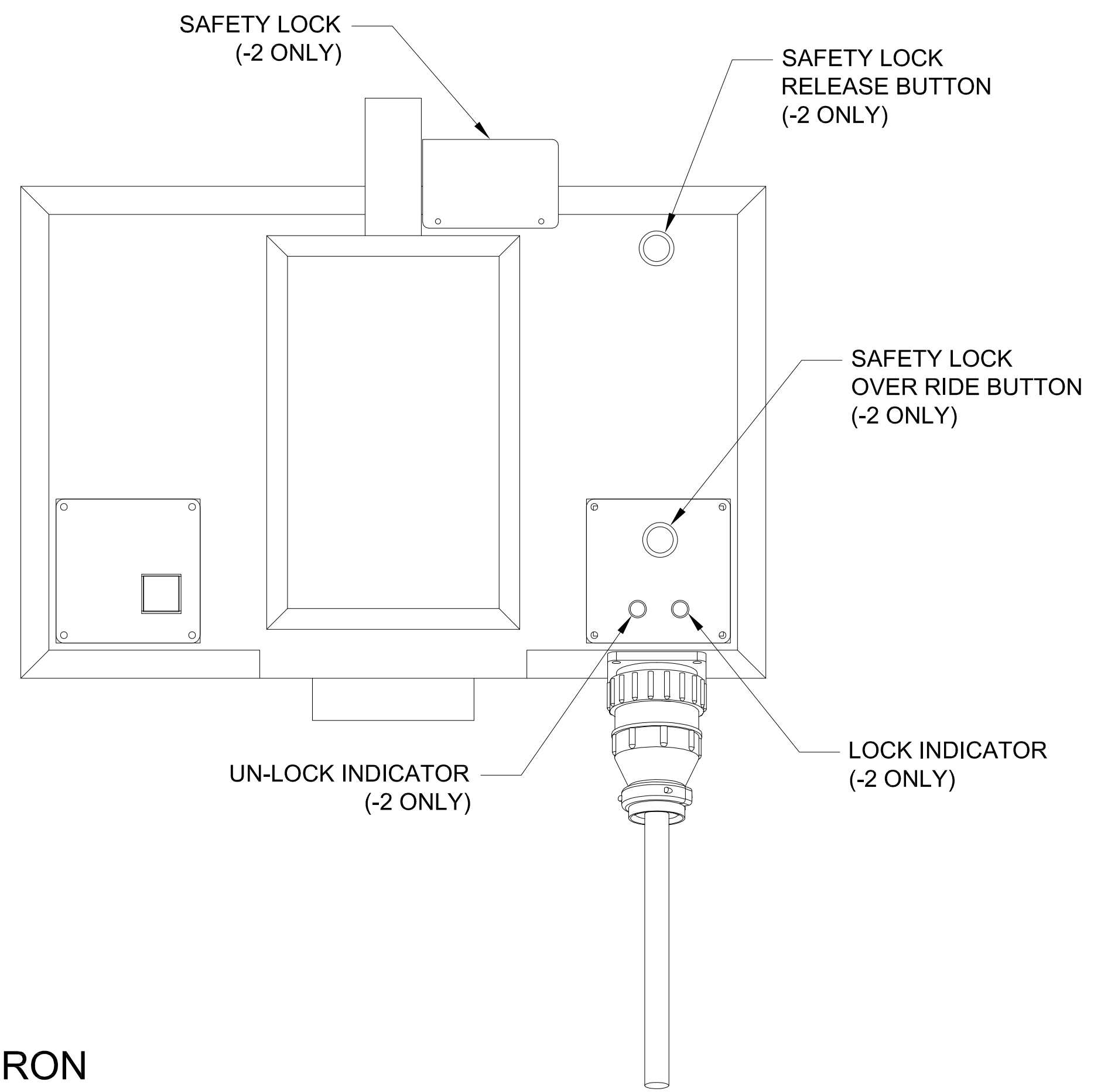
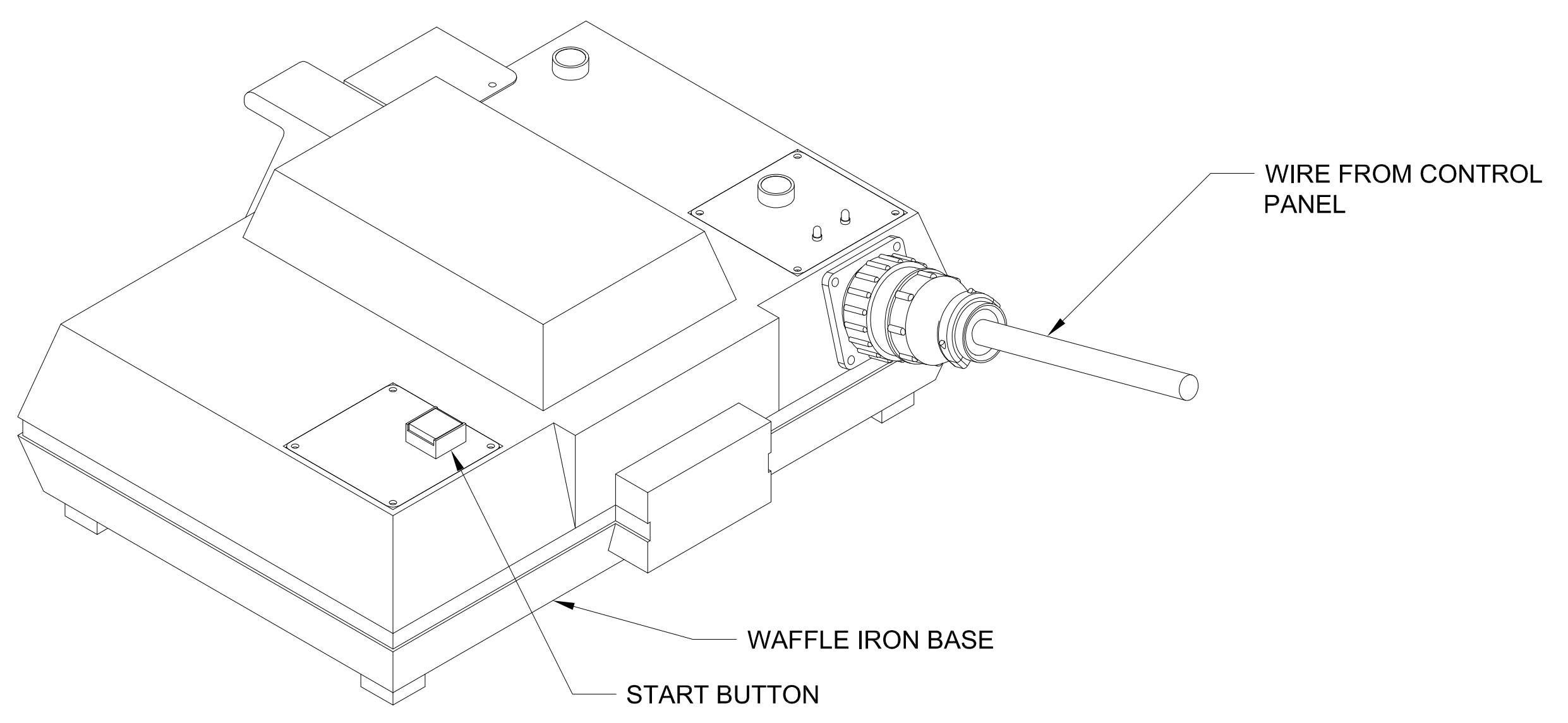
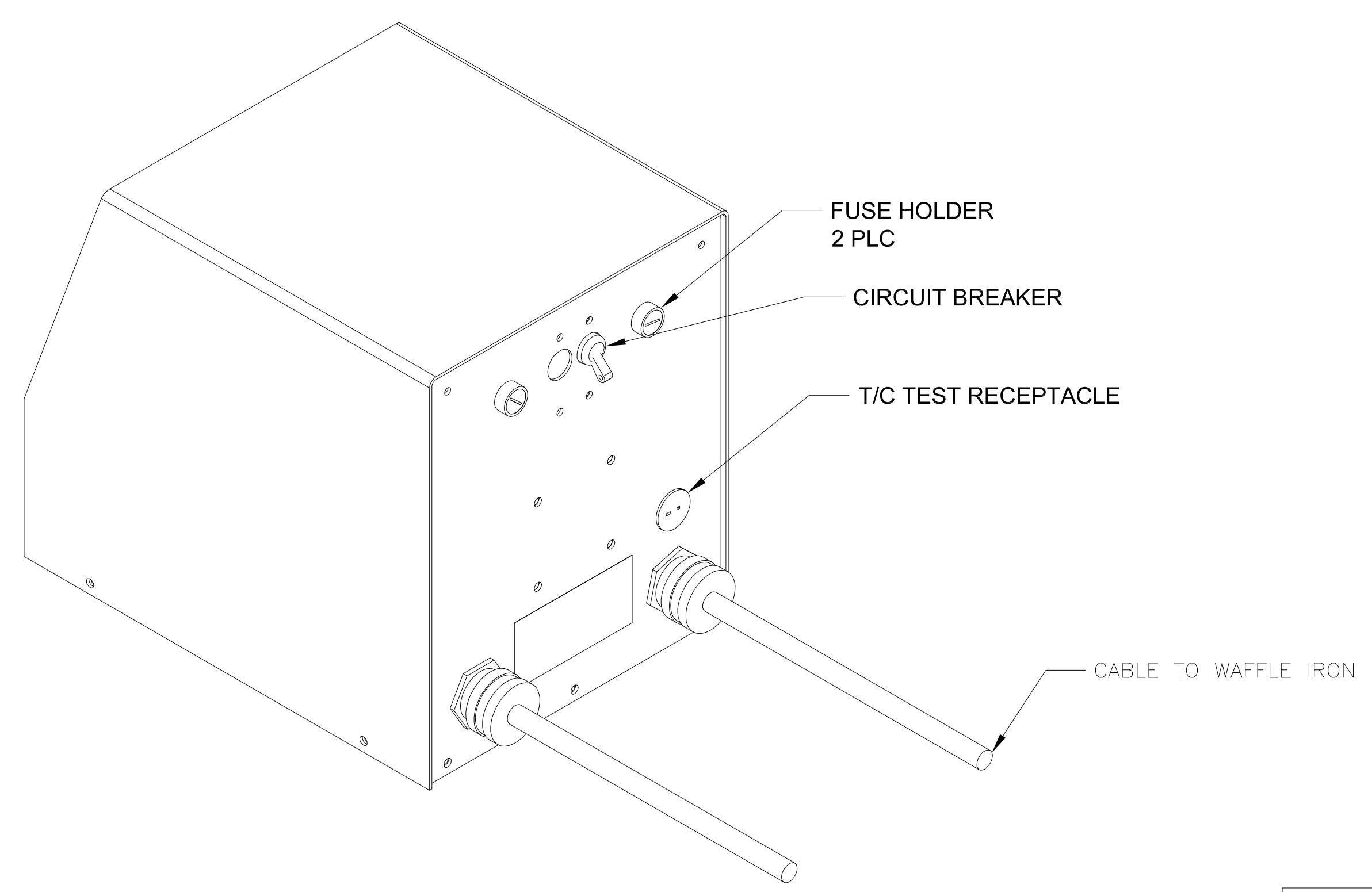
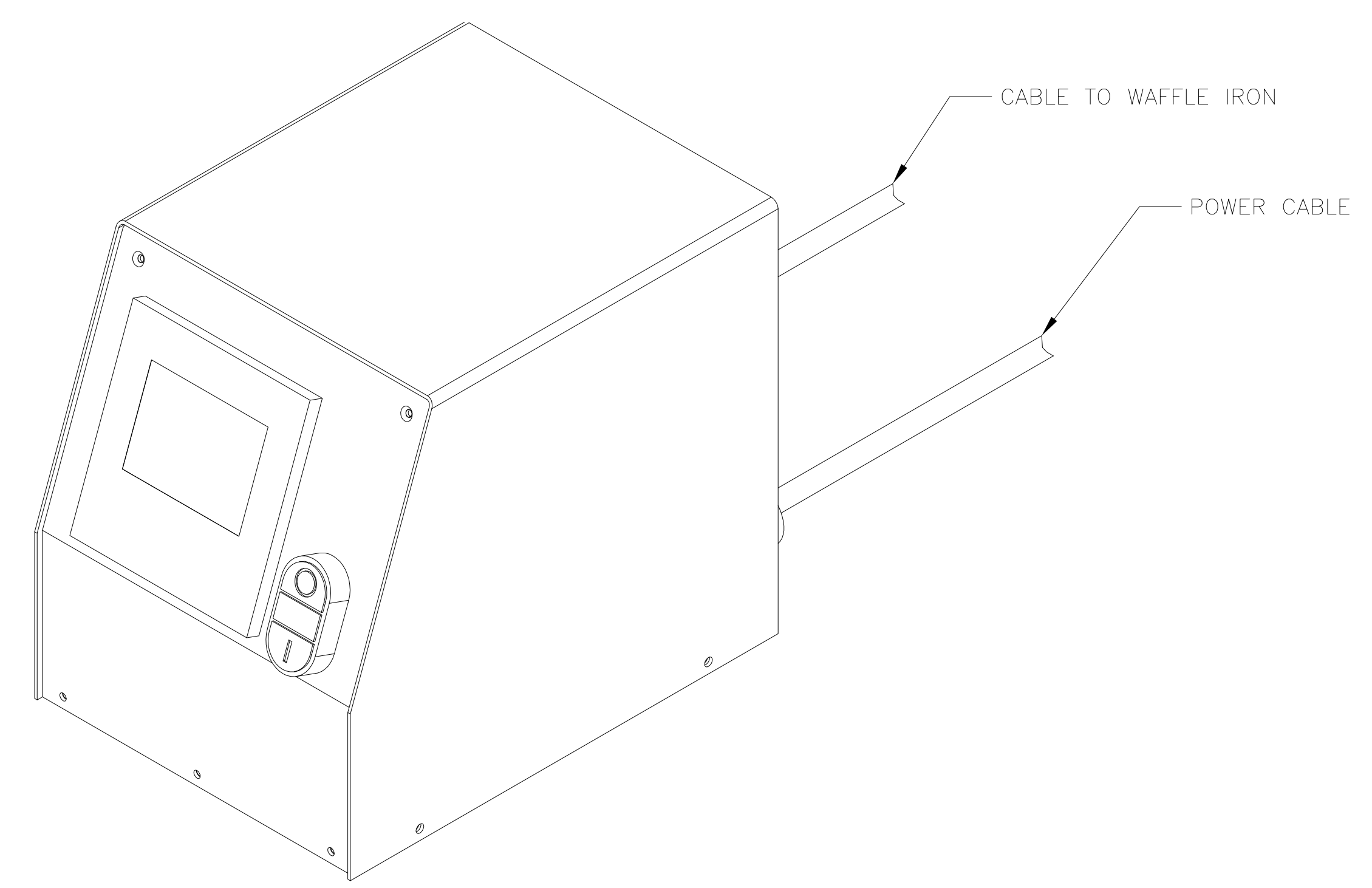
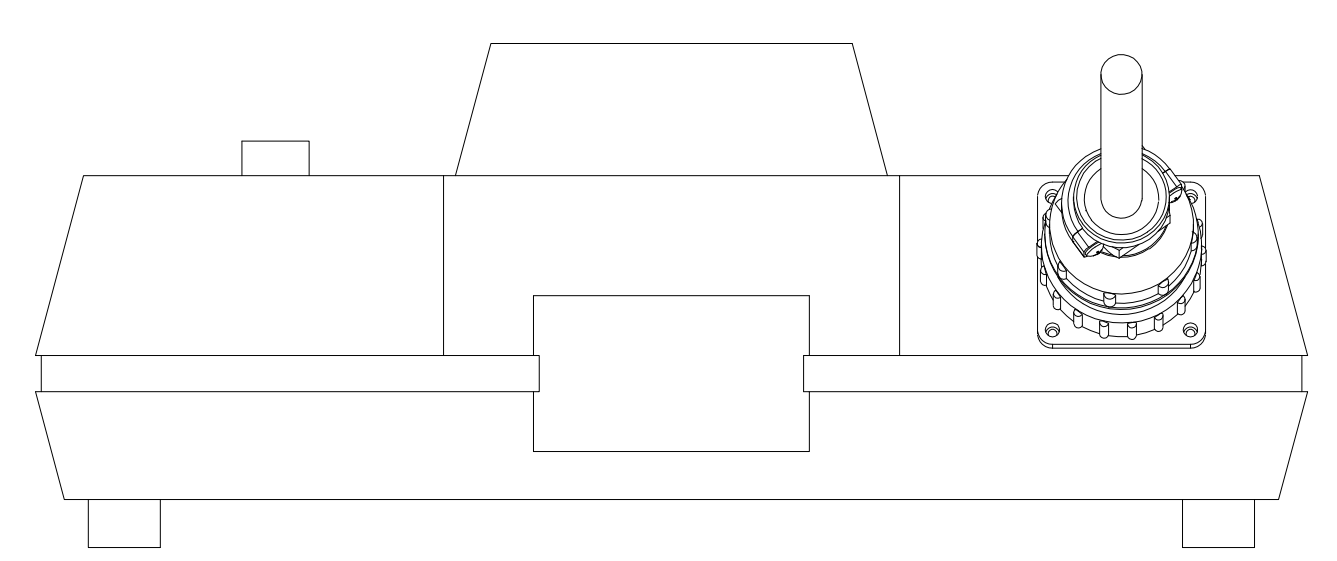


LOC		DIST		REVISIONS			
P	LTR	DESCRIPTION	DATE	DWN	APVD		
B		REV PER ECO-15-018123	12-31-15	DCB	CD		

1. KIT CONSISTS OF A WAFFLE IRON AND ELECTRICAL CONTROL PANEL.



WAFFLE IRON



ELECTRICAL CONTROL PANEL

230 VAC, 50/60 Hz, 10 AMP UNIT FOR USE IN EUROPE.	2221641-2
115 VAC, 50/60 Hz, 20 AMP UNIT FOR USE IN NORTH AMERICA. 20 AMP PLUG PROVIDED ON POWER CORD	2221641-1
DESCRIPTION	PART NO.

THIS DRAWING IS A CONTROLLED DOCUMENT.		DIN C.C.THOMAS 11JAN2013		NAME	
DIMENSIONS: INCHES		CIRK 4-4-13		D.FABY	
TOLERANCES UNLESS OTHERWISE SPECIFIED:		APVD 4-4-13		PRODUCT SPEC	
0. PLC	±	APPLICATION SPEC			
1. PLC	±	SIZE			
2. PLC	±	CAGE CODE			
3. PLC	±	DRAWING NO			
4. PLC	±	RESTRICTED TO			
ANGLES	±	A1 00779 C=2221641			
MATERIAL	FINISH	WEIGHT		CUSTOMER DRAWING	
		SCALE NTS		SHEET 1 OF 1 REV B	