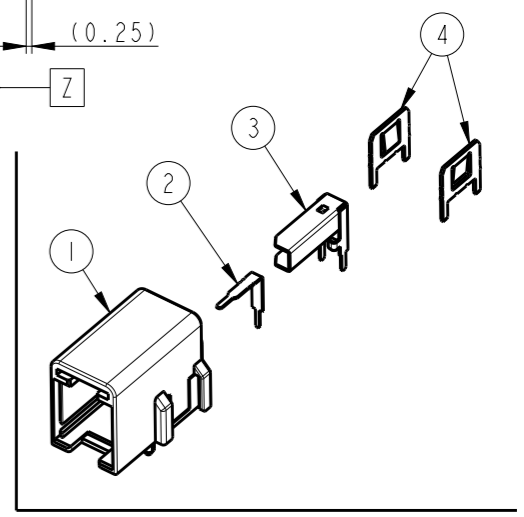
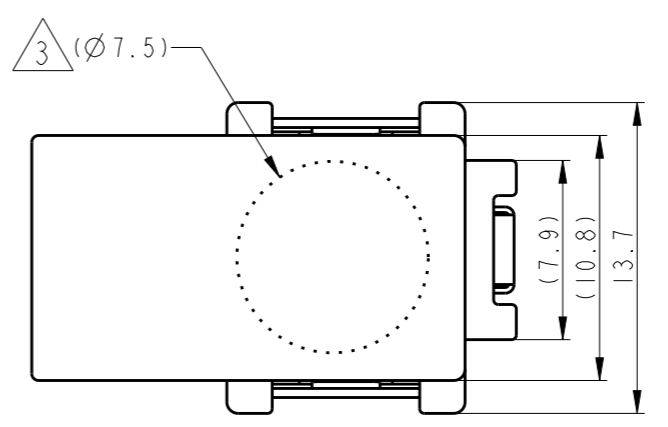
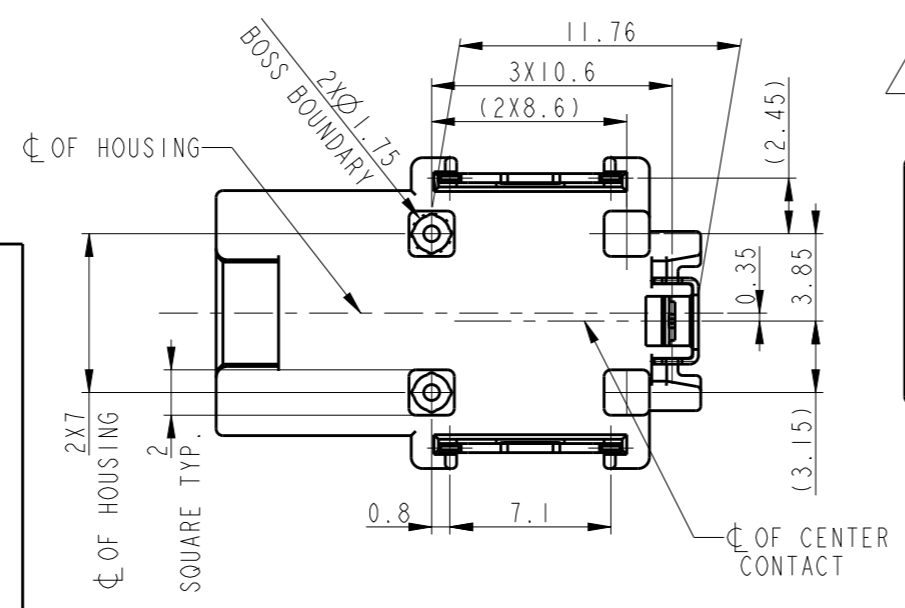
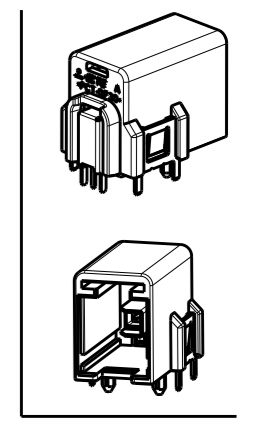
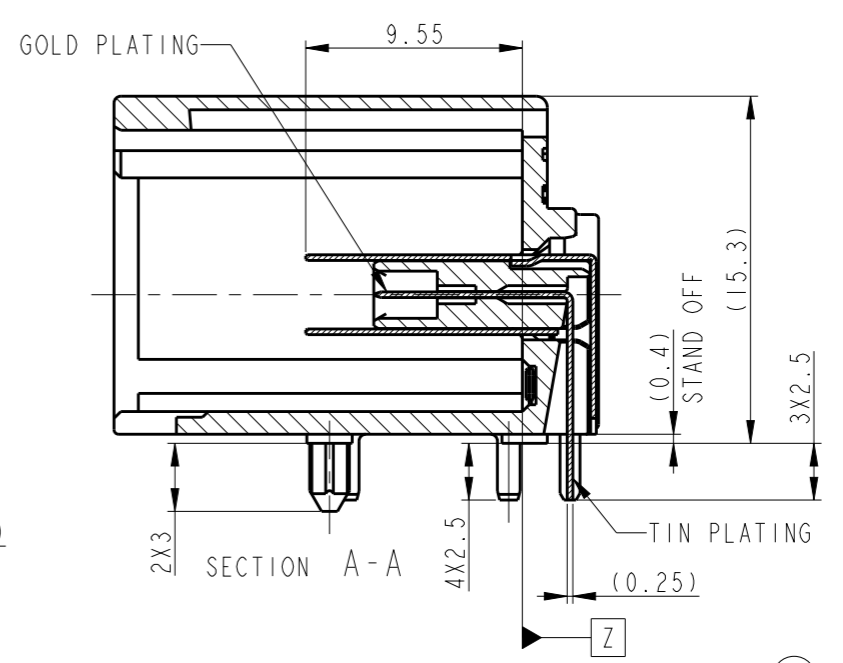
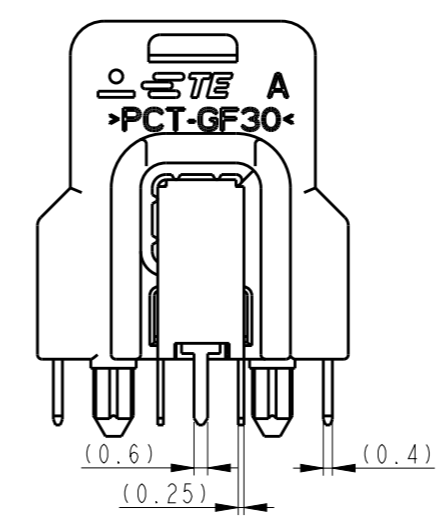
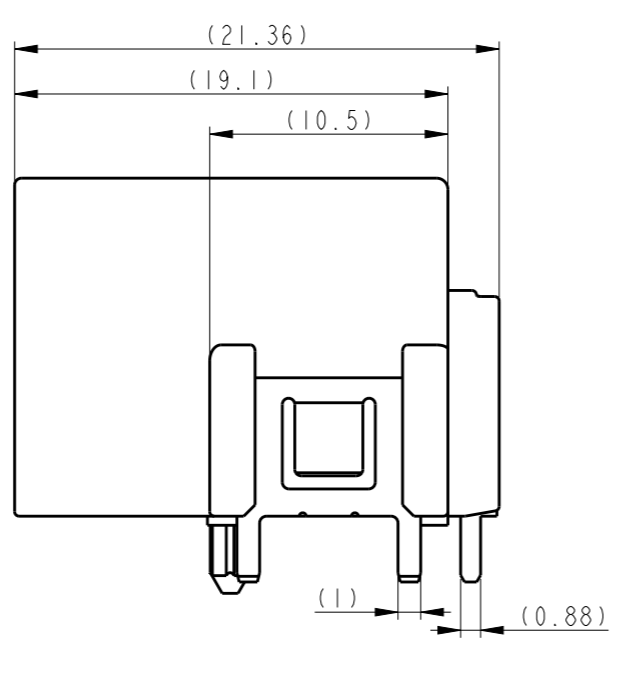
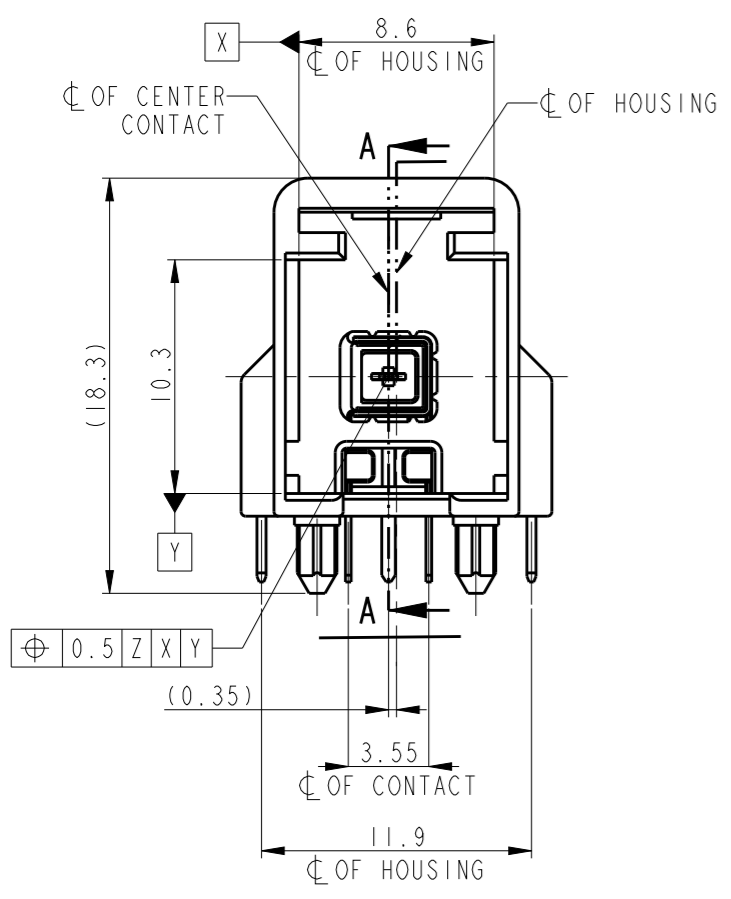
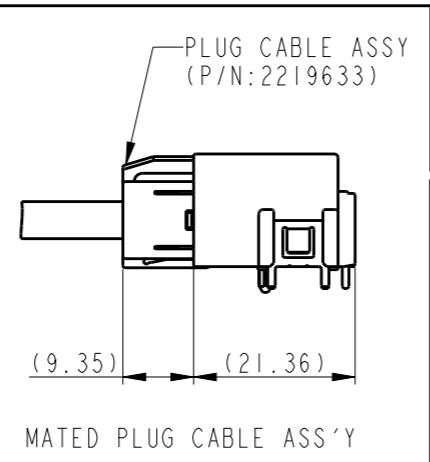
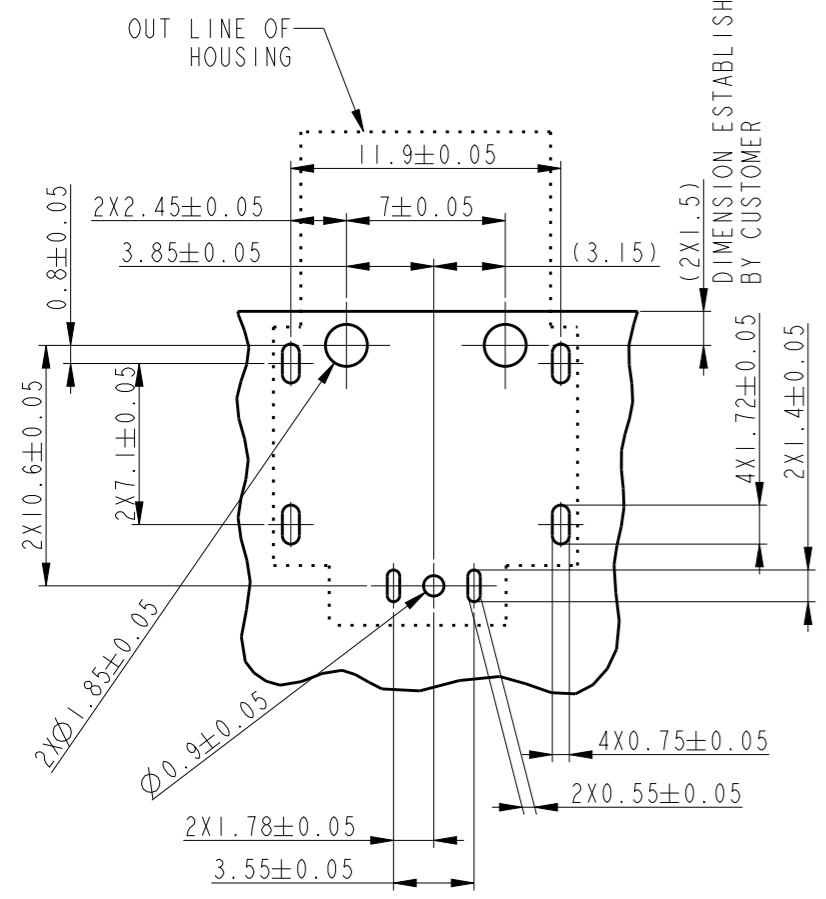


THIS DRAWING IS UNPUBLISHED. RELEASED FOR PUBLICATION 20
 © COPYRIGHT 20 BY - ALL RIGHTS RESERVED.

P		LTR		DESCRIPTION	DATE	DWN	APVD
		A		RELEASE	20.DEC'17	CJ	GC



* RECOMMENDED PCB LAYOUT
 (PCB THICKNESS : 1.6mm)
 (PCB TOP SIDE)



- NOTE
- GENERAL TOLRANCE: ±0.3
 - THE MATING PLUG ASS'Y P/N: 2219633
 - VACCUM PICK UP AREA
 - PACKING:
 - EMBOSS REEL (1-1897998-4)
 - REFLOW SOLDER CAPABLE TO 260°

NO	COLOR	FINISH	MATERIAL	DESCRIPTION	P/NO	Q'TY
4	-	POST-TIN	BRASS	SOLDER PEG	2219682-2	2
3	-	POST-TIN	PMC26	TAB SHIELD	2219879-2	1
2	-	POST-TIN, GOLD	PMC26	TAB CONTACT	2219681-2	1
1	BLACK	-	PCT-GF30	HEADER HSG IP	2219680-2	1

THIS DRAWING IS A CONTROLLED DOCUMENT.

DWN	CJ CHOI
CHK	GC KWON
APVD	GC KWON
PRODUCT SPEC	-
APPLICATION SPEC	-
WEIGHT	-
CUSTOMER DRAWING	-

DIMENSIONS:	TOLERANCES UNLESS OTHERWISE SPECIFIED:
mm	
0 PLC	±0.1
1 PLC	±0.05
2 PLC	±0.01
3 PLC	±0.001
4 PLC	±0.0001
ANGLES	±

STE TE Connectivity

NAME: HEADER ASS'Y FOR RF STRIPLINE IP, LARGE

SIZE	CAGE CODE	DRAWING NO	RESTRICTED TO
A3	-	C-2219632	

SCALE: 3:1 SHEET 1 OF 1 REV A

HEADER ASS'Y IP, LARGE	DESCRIPTION
2219632-2	ASS'Y P/N