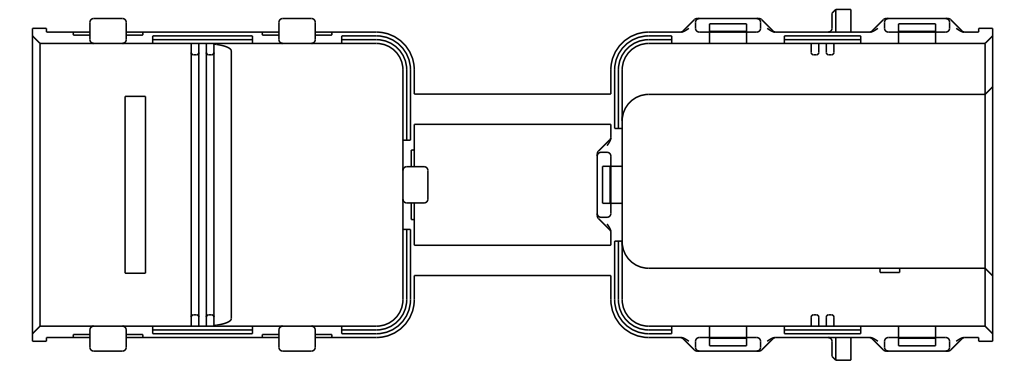
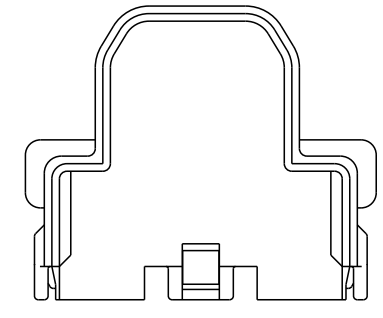
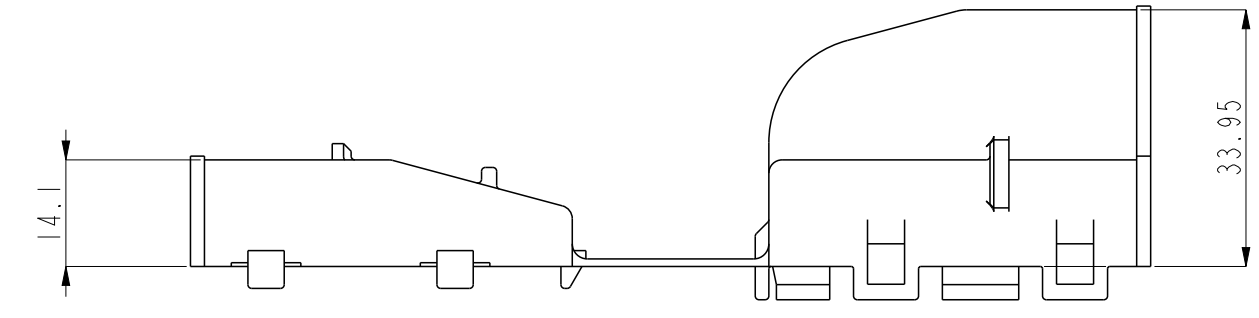
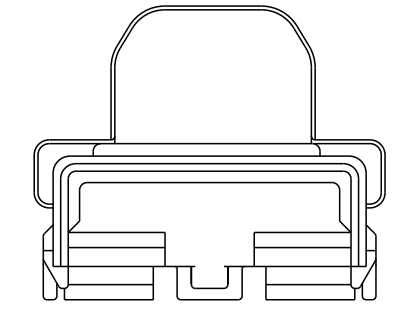
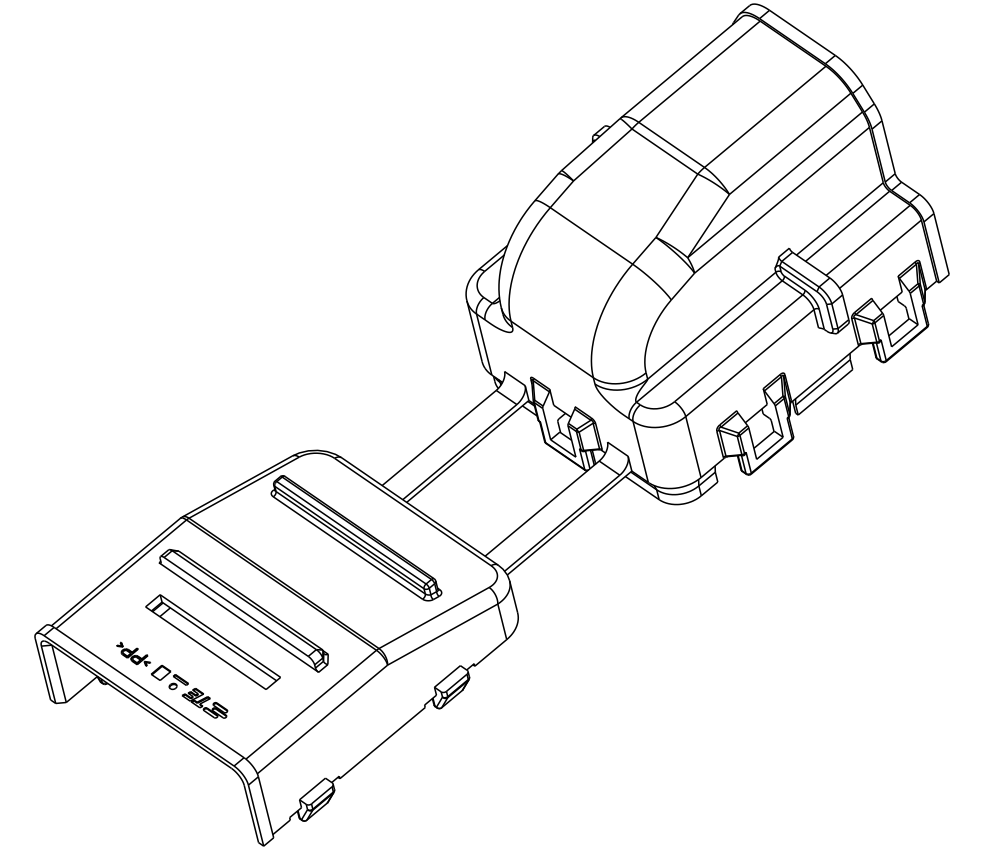
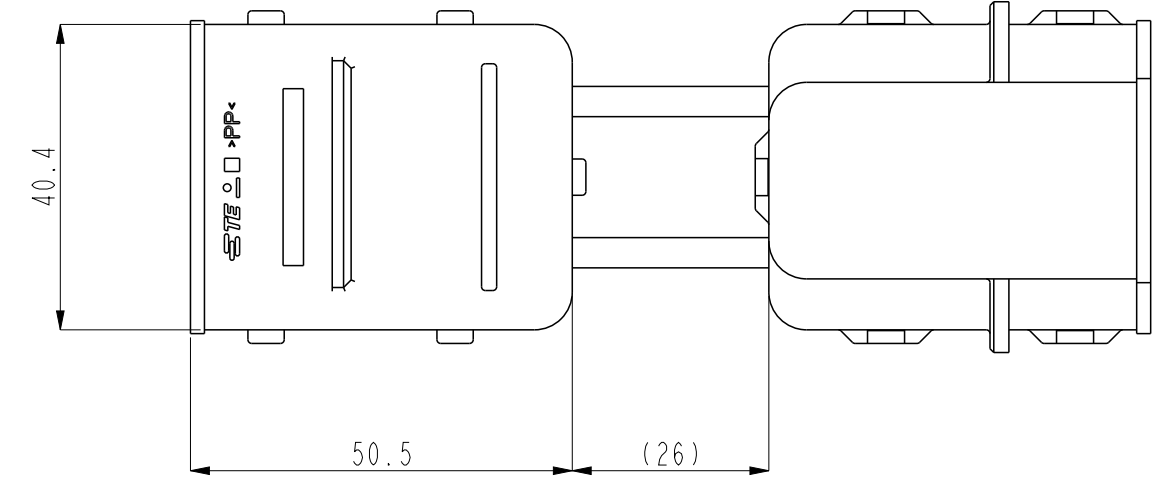
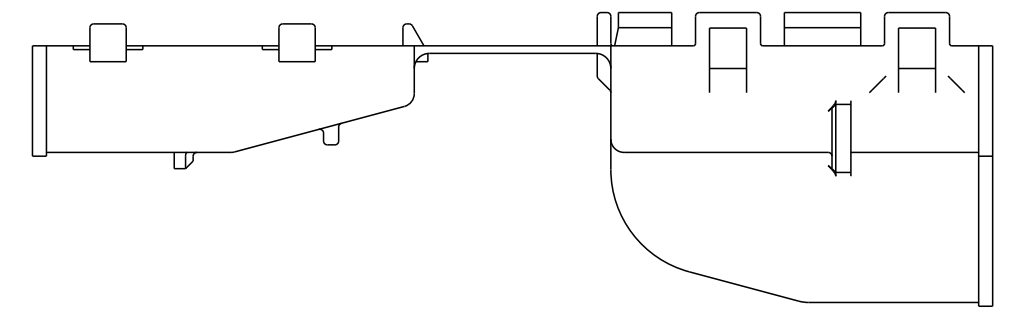


THIS DRAWING IS UNPUBLISHED. RELEASED FOR PUBLICATION 20
 © COPYRIGHT 20 BY - ALL RIGHTS RESERVED.

REVISIONS					
P	LTR	DESCRIPTION	DATE	DWN	APVD
	A	RELEASED	20 JUN '15	CH	HG



NOTE
 1. GENERAL TOLERANCE: ±0.5
 2. 2.0MAX WARPAGE AND 0.5 MAX FLASH ARE PERMISSIBLE.
 3. APPLICATION CAP CONNECTOR : 2188204

I NO	BLACK	PP	U TURN COVER	2219512-2	A
	COLOR/FINISH	MATERIAL	DESCRIPTION	P/N	REV

THIS DRAWING IS A CONTROLLED DOCUMENT.	
DIMENSIONS: mm	TOLERANCES UNLESS OTHERWISE SPECIFIED: 0 PLC ± 1 PLC ± 2 PLC ± 3 PLC ± 4 PLC ± ANGLES ± FINISH -
MATERIAL	-

DWN	CH CHO	 TE Connectivity	NAME			
CHK	KT LIM		U-TURN COVER FOR 60P CAP ASS'Y			
APVD	HG CHO		PRODUCT SPEC			
APPLICATION SPEC			SIZE	CAGE CODE	DRAWING NO	RESTRICTED TO
WEIGHT		13.88g	A2	00779	C-2219512	-
CUSTOMER DRAWING		SCALE	1:1	SHEET	OF	REV
						A