

THIS DRAWING IS UNPUBLISHED.

RELEASED FOR PUBLICATION

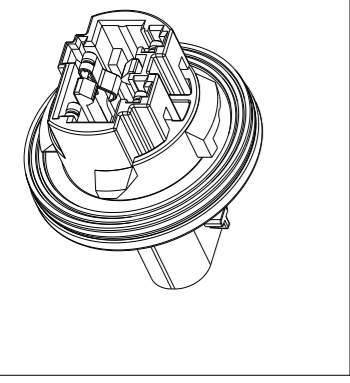
20

REVISIONS

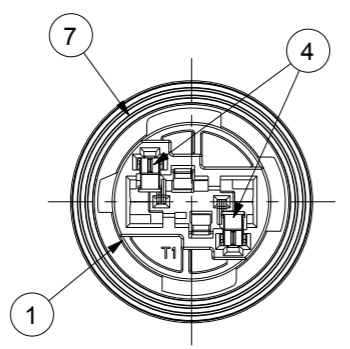
© COPYRIGHT20 BY -

ALL RIGHTS RESERVED.

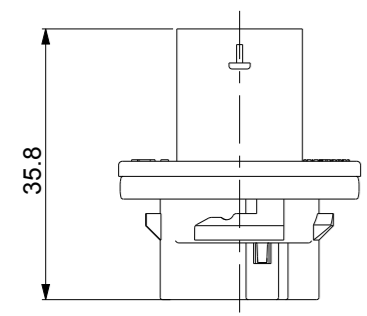
P	LTR	DESCRIPTION	DATE	DWN	APVD
B	REVISED		18.DEC'15	YH	KT



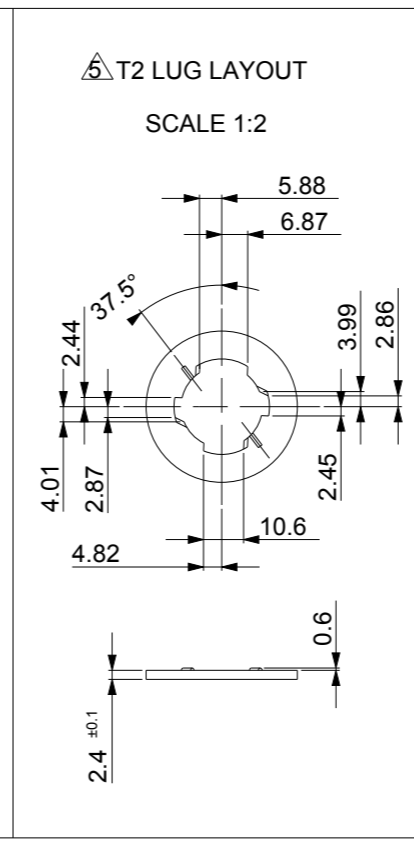
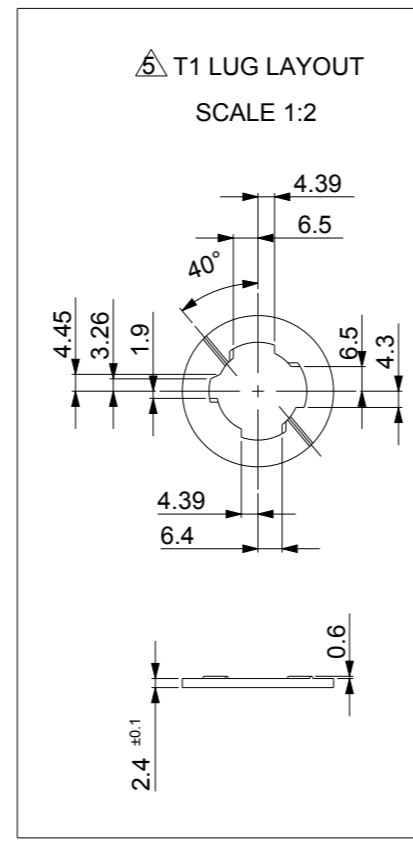
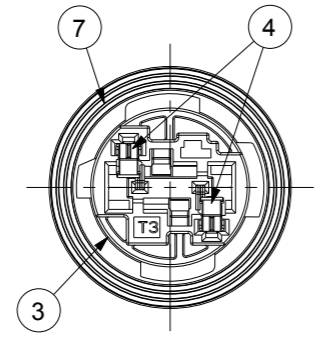
T1 SOCKET : CLEAR SINGLE



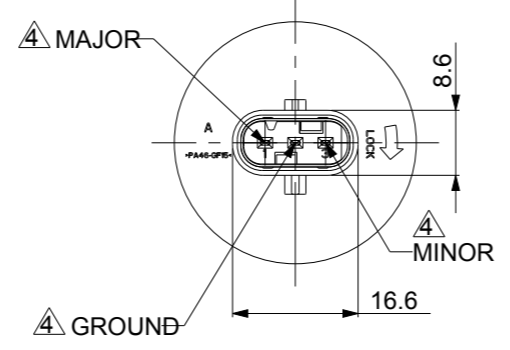
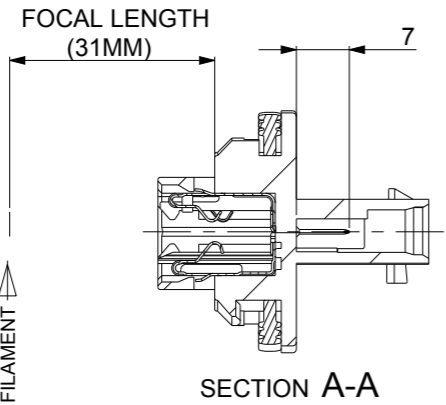
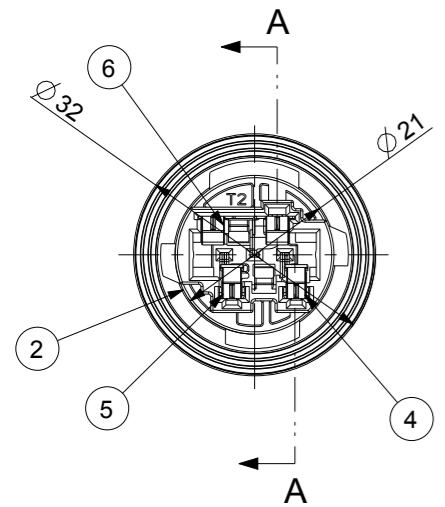
T2 SOCKET : CLEAR DOUBLE



T3 SOCKET : AMBER SINGLE



T3 LUG LAYOUT  
TO BE DEFINED



NO	SOCKET TYPE	COLOR	MATERIAL	DESCRIPTION	QUANTITY									
7	-	GRAY	SILICONE	O-RING	1	1	1	1	1	1	1	1	1	1
6	-	-	CuNiSi	GROUND TML FOR T20 SOCKET	-	-	-	1	1	1	-	-	-	-
5	-	-	CuNiSi	POSITIVE TML FOR T20 SOCKET	-	-	-	1	1	1	-	-	-	-
4	-	-	CuNiSi	POSITIVE TML FOR T20 SOCKET	2	2	2	1	1	1	2	2	2	2
3	T3(WY21W)	GRAY	PA46-GF15	<del>BULB HSG(AMBER SINGLE)</del>	-	-	-	-	-	-	-	-	1	-
		BLACK	PA46-GF15	<del>BULB HSG(AMBER SINGLE)</del>	-	-	-	-	-	-	-	-	1	-
		NATURAL	PA46-GF15	<del>BULB HSG(AMBER SINGLE)</del>	-	-	-	-	-	-	1	-	-	-
2	T2(W21/5W)	GRAY	PA46-GF15	BULB HSG(CLEAR DOUBLE)	-	-	-	-	-	1	-	-	-	-
		BLACK	PA46-GF15	BULB HSG(CLEAR DOUBLE)	-	-	-	-	1	-	-	-	-	-
		NATURAL	PA46-GF15	BULB HSG(CLEAR DOUBLE)	-	-	-	1	-	-	-	-	-	-
1	T1(W21W)	GRAY	PA46-GF15	BULB HSG(CLEAR SINGLE)	-	-	1	-	-	-	-	-	-	-
		BLACK	PA46-GF15	BULB HSG(CLEAR SINGLE)	-	1	-	-	-	-	-	-	-	-
		NATURAL	PA46-GF15	BULB HSG(CLEAR SINGLE)	1	-	-	-	-	-	-	-	-	-

NOTE  
 1. GENERAL TOLERANCE : ±0.2  
 2. CHARACTER MUST BE CLEAR AND LEGIBLE  
 3. MATING PLUG : 1-1718644-1  
 SEALING PLUG FOR T1,T3 SOCKET : 967056-1  
 ▲ CIRCUIT INFORMATION.  
 MAJOR : CIRCUIT No.1  
 GROUND : CIRCUIT No.2  
 MINOR : CIRCUIT No.3  
 △ GENERAL TOLERANCE FOR LUG : ±0.05, 1°  
 △ MISSING DIMENSION : REFER DIMENSION OF 1-2219370-X

control priority dimension ;  
 ■ CRITICAL, ▲ MAJOR, ▲ MINOR

THIS DRAWING IS A CONTROLLED DOCUMENT.

DIMENSIONS:	TOLERANCES UNLESS OTHERWISE SPECIFIED:
mm	0 PLC ±-
	1 PLC ±0.1
	2 PLC ±0.01
	3 PLC ±0.001
	4 PLC ±0.0001
	ANGLES ±
MATERIAL	FINISH N/A

DWN	09-Jun-15
YH KIM	
CHK	-
DG JEONG	
APVD	-
KT LIM	
PRODUCT SPEC	
APPLICATION SPEC	
WEIGHT	-

**TE** TE Connectivity

**T20 BULB SOCKET ASS'Y WIRELESS TYPE**

SIZE: **A3** CAGE CODE: **00779** DRAWING NO: **C-2219370** RESTRICTED TO: -

CUSTOMER DRAWING SCALE: **1:1** SHEET: **1** OF **1** REV: **B**