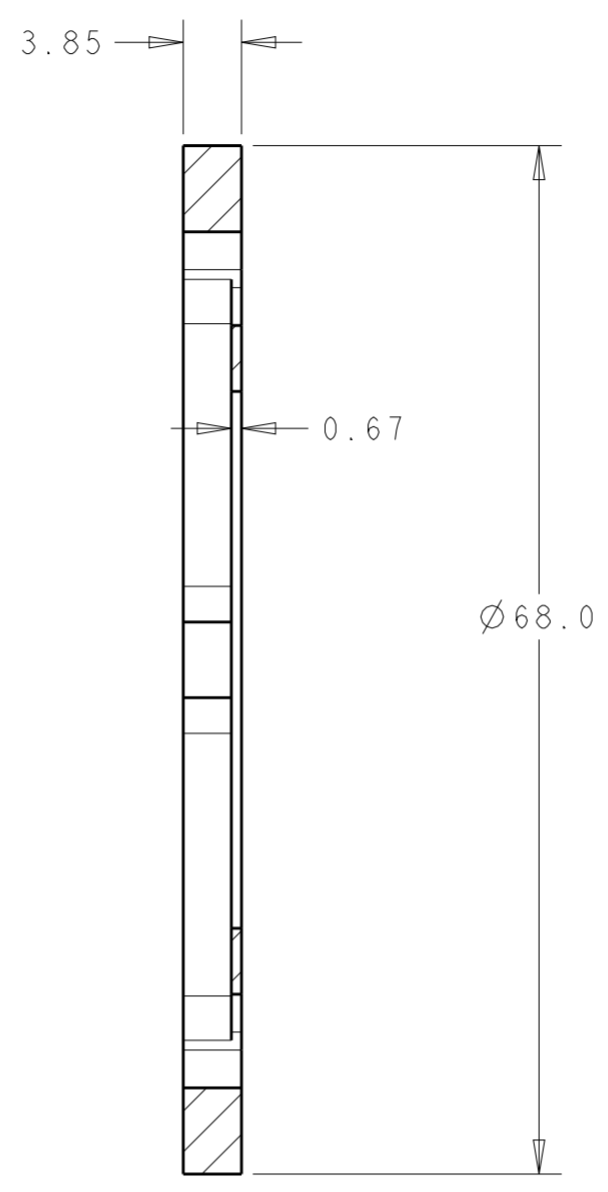
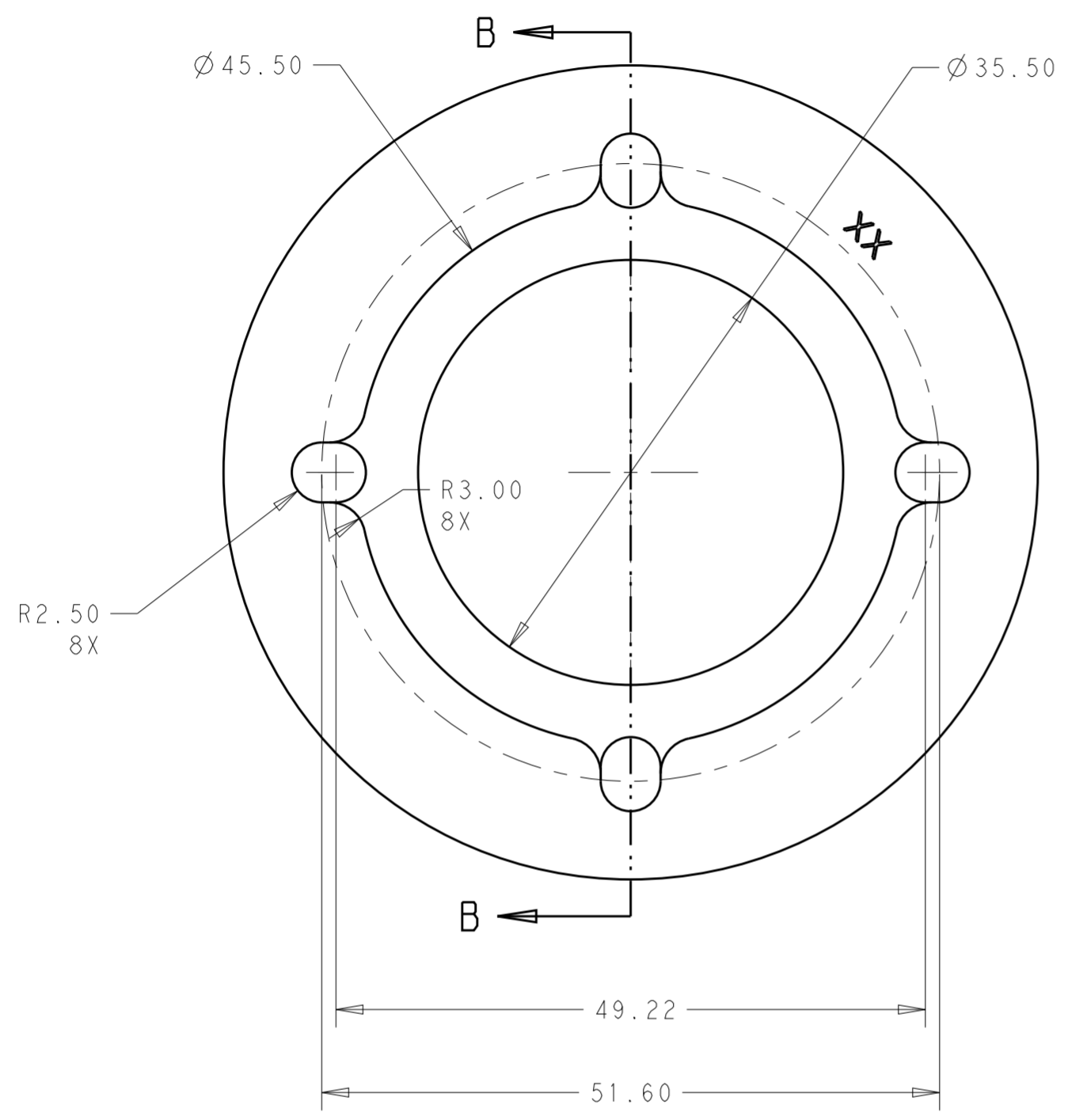
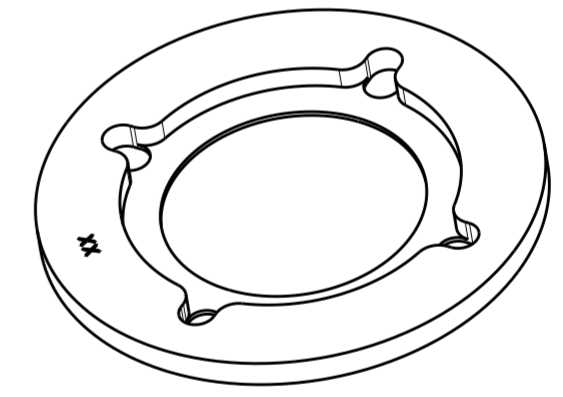


THIS DRAWING IS UNPUBLISHED. RELEASED FOR PUBLICATION 20  
 © COPYRIGHT 20 BY - ALL RIGHTS RESERVED.

REVISIONS				
P	LTR	DESCRIPTION	DATE	APVD
	A	REVISED PER ECR-16-008711	26JUN2016	RS DD



SECTION B-B



NOTES:

1. MATERIAL: LIQUID SILICONE RUBBER,  
 DUROMETER 40 SHORE A  
 COLOR: BLACK

2. TOLERANCES PER RMA-A1-F2

2213626-1  
 PART NO.

THIS DRAWING IS A CONTROLLED DOCUMENT.		DWN RAVLS 29 JUN 2015	TE Connectivity	
DIMENSIONS: mm		CHK C. GINGRICH 29 JUN 2015		
TOLERANCES UNLESS OTHERWISE SPECIFIED:		APVD C. GINGRICH 29 JUN 2015	NAME GASKET, SEALING, ROTATING DIMMING RECEPTACLE	
0 PLC ±	1 PLC ±	PRODUCT SPEC 108-32059	SIZE A2	CAGE CODE -
2 PLC ±	3 PLC ±	APPLICATION SPEC 114-32148	DRAWING NO. C-2213626	RESTRICTED TO -
4 PLC ±	ANGLES ±	WEIGHT -	SCALE 1:1	SHEET 1 OF 1
MATERIAL -	FINISH -	CUSTOMER DRAWING	REV A	