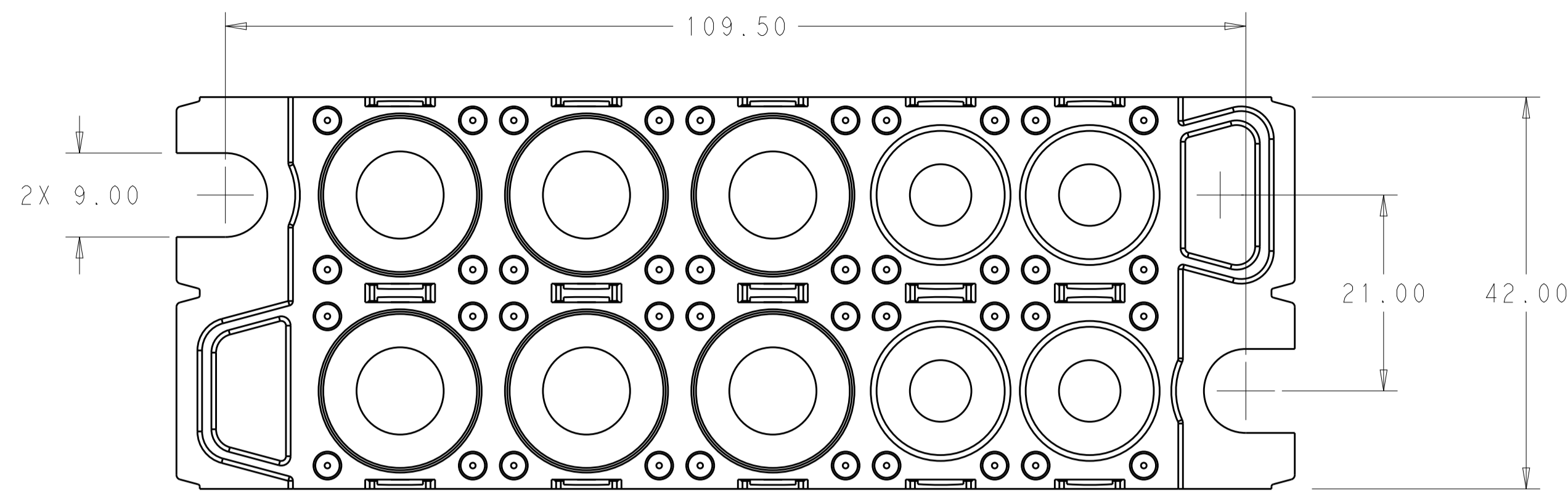
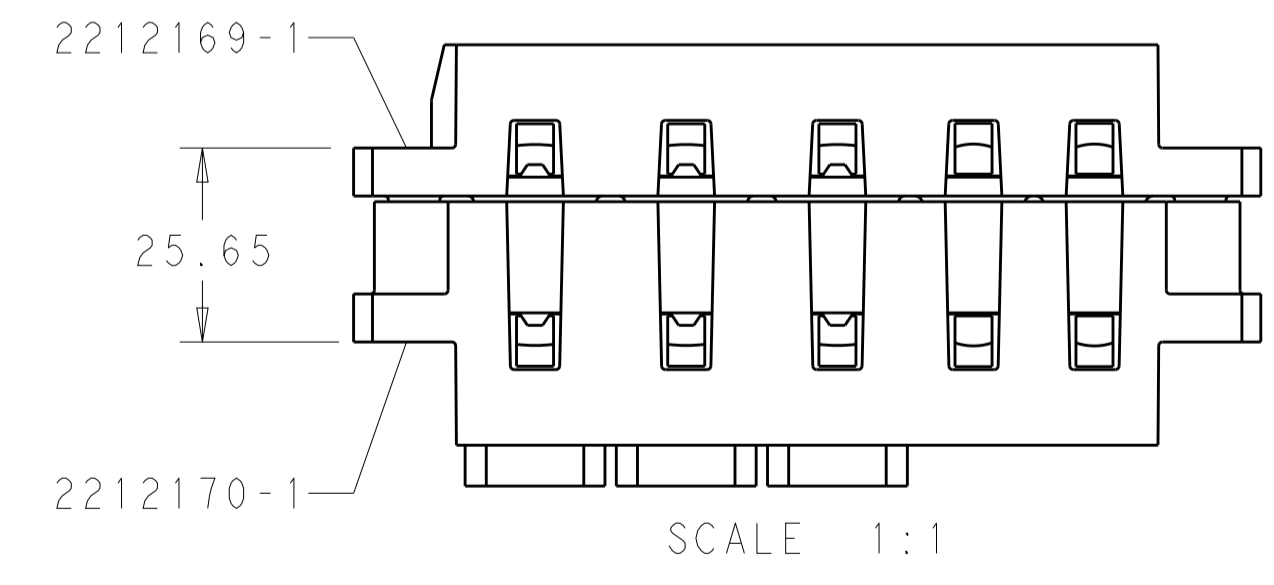
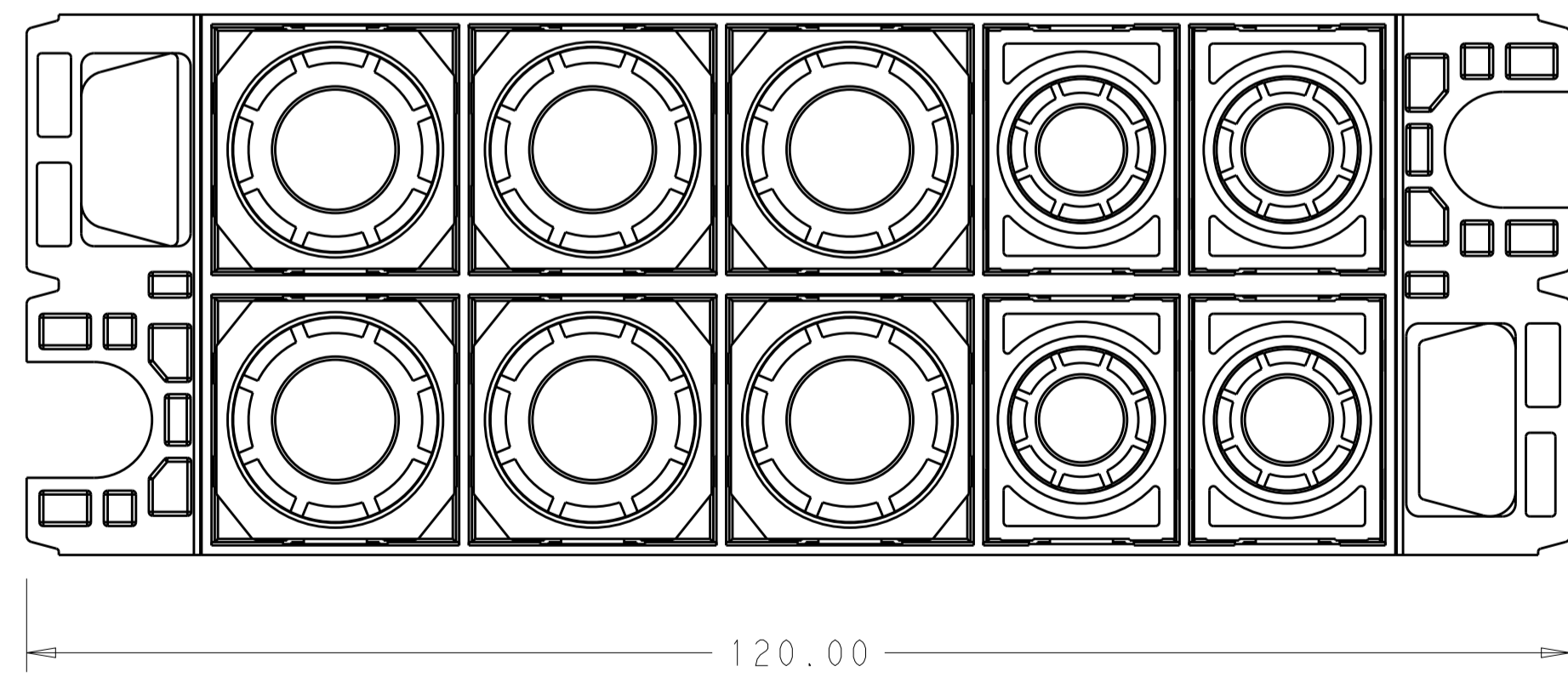
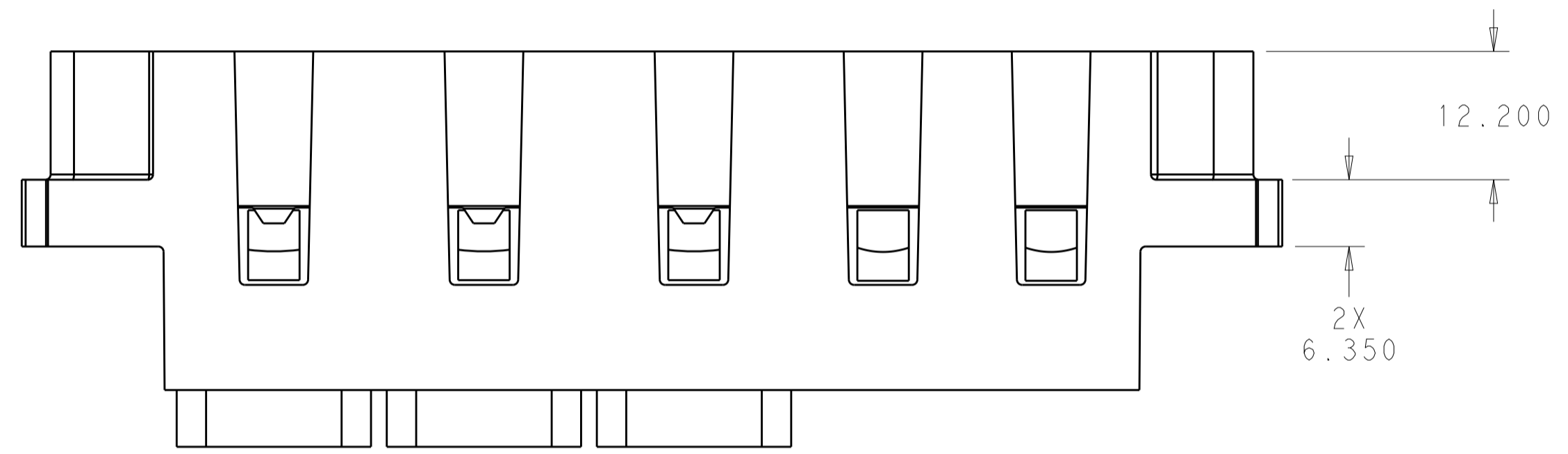
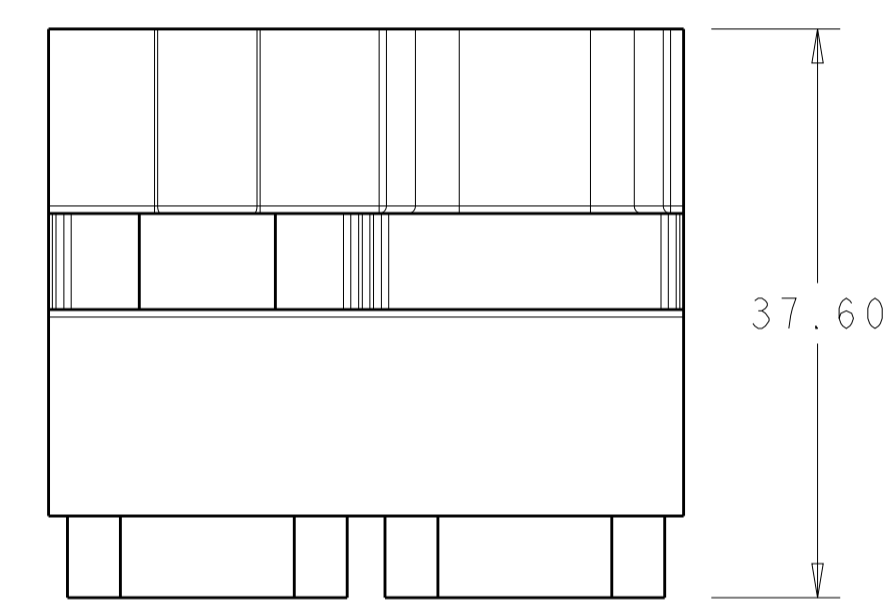
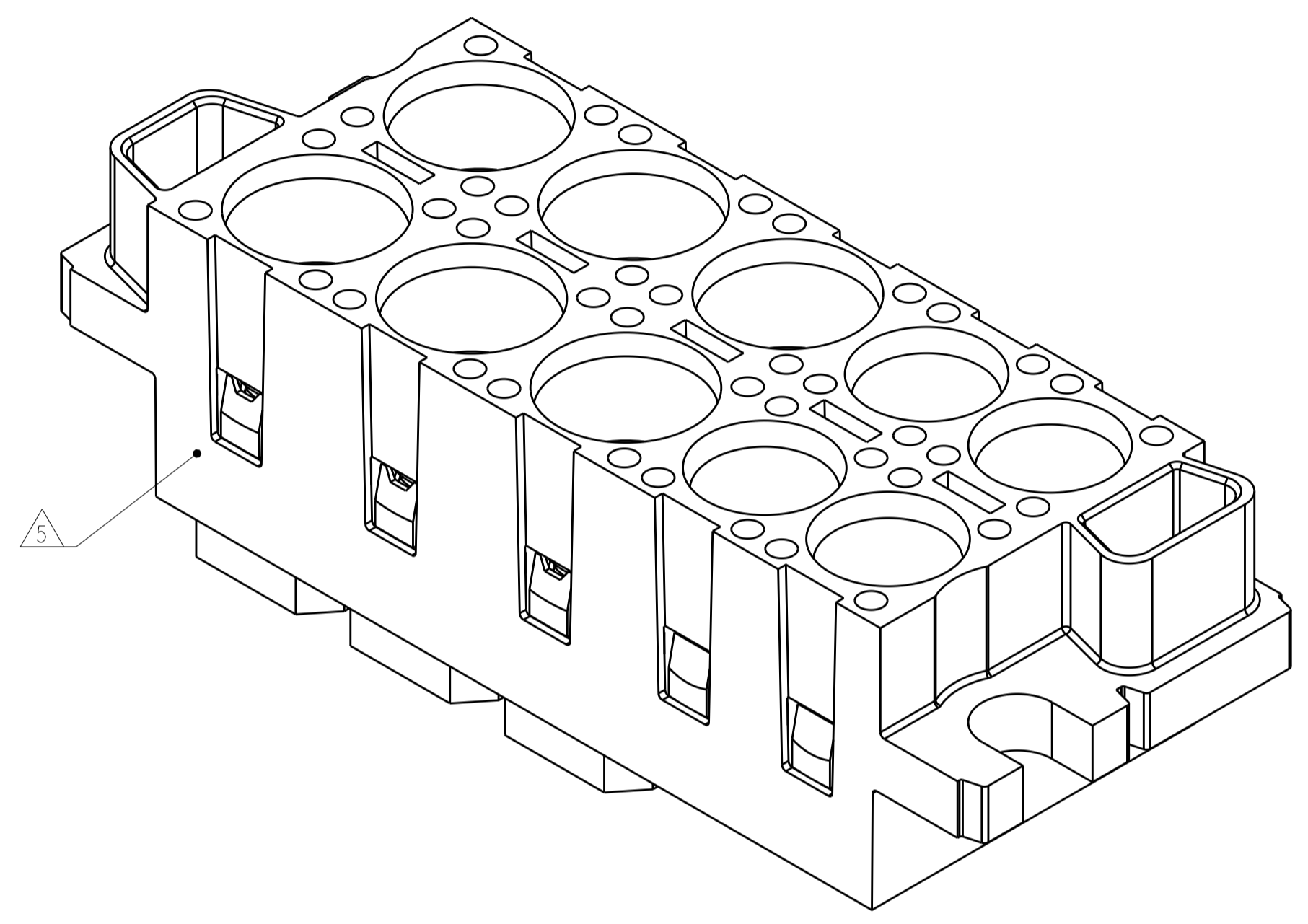


REVISONS		DATE	DWN	APVD
P	LTH			
A		28FEB2018	OL	SZ



- 1 HOUSING: THERMOPLASTIC, COLOR BLACK, FLAMMABILITY RATING UL 94 V-0.
- 2 THIS ASSEMBLY TO MATE WITH TEC PART NUMBER 2212169-1.
- 3. RECOMMENDED SHOULDER SCREW: 2212056, FLOAT MOUNT
- 4 RECOMMENDED PANEL CUTOUT FOR FRONT PANEL MOUNT APPLICATION. RECOMMENDED PANEL THICKNESS 1.5 TO 1.78.
- 5 DATE CODE AND PART NUMBER IN APPROXIMATE AREA SHOWN.

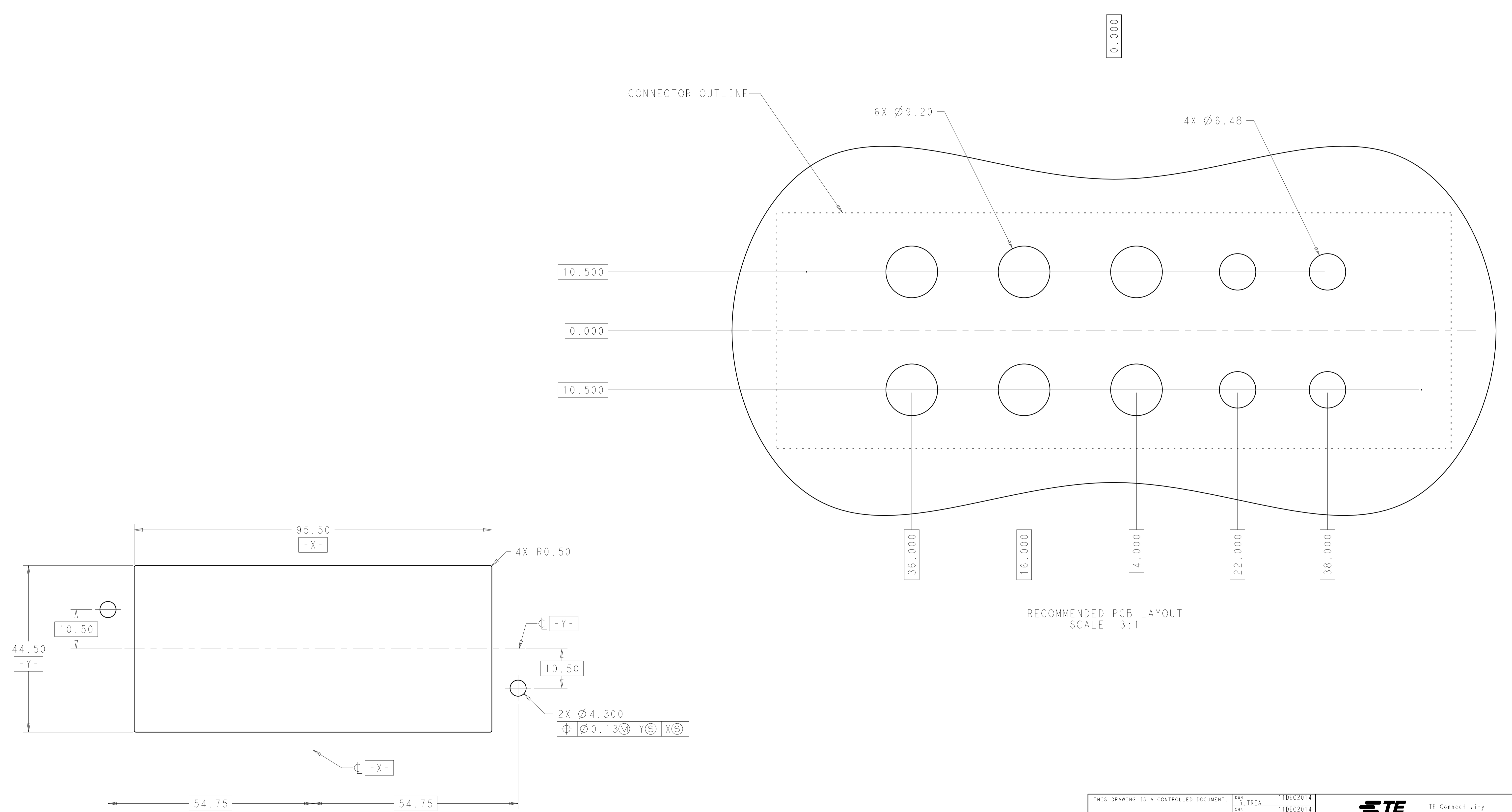


SCALE 1:1

FULLY MATED ASSEMBLIES 2

CONNECTOR, PIN, FORGE 6x#0,4x#4,0x#8,0x#12,0x#22		2212170-1	
DESCRIPTION		PART NO.	
THIS DRAWING IS A CONTROLLED DOCUMENT.		DWN: R. IRENA 11DEC2014	
DIMENSIONS: mm		CHK: E. WICKES 11DEC2014	
TOLERANCES UNLESS OTHERWISE SPECIFIED:		APVD: S. STRICKLER 11DEC2014	
0 PLC ±N/A		NAME: S. STRICKLER	
1 PLC ±N/A		PRODUCT SPEC: 108-2323	
2 PLC ±0.25		APPLICATION SPEC: 114-13299	
3 PLC ±0.13		SIZE: A1	
4 PLC ±N/A		CAGE CODE: 00779	
ANGLES ±N/A		DRAWING NO: 2212170	
FINISH: *		RESTRICTED TO: -	
MATERIAL: △		WEIGHT: -	
		CUSTOMER DRAWING	
		SCALE: 2:1	
		SHEET 1 OF 2	
		REV A	

LOC		DIST		REVISIONS			
P	LTN	DESCRIPTION	DATE	DMN	APVD		
-	-	SEE SHEET 1	-	-	-		



RECOMMENDED PANEL CUTOUT  
SCALE 2:1

THIS DRAWING IS A CONTROLLED DOCUMENT.		DMN R. IREDA 11DEC2014	TE Connectivity
DIMENSIONS: mm		CHK E. WICKES 11DEC2014	
TOLERANCES UNLESS OTHERWISE SPECIFIED:		APVD S. STRICKLER 11DEC2014	NAME CONNECTOR, PIN, FORGE
0 PLC ±N/A 1 PLC ±N/A 2 PLC ±0.25 3 PLC ±0.13 4 PLC ±N/A ANGLES ±N/A		PRODUCT SPEC 108-2323	6x#0, 4x#4, 0x#8, 0x#12, 0x#22 CONFIGURATION
MATERIAL		APPLICATION SPEC 114-13299	SIZE A1
FINISH		WEIGHT	CAGE CODE 2212170
		CUSTOMER DRAWING	RESTRICTED TO -
		SCALE 1:1	SHEET 2 OF 2
			REV A