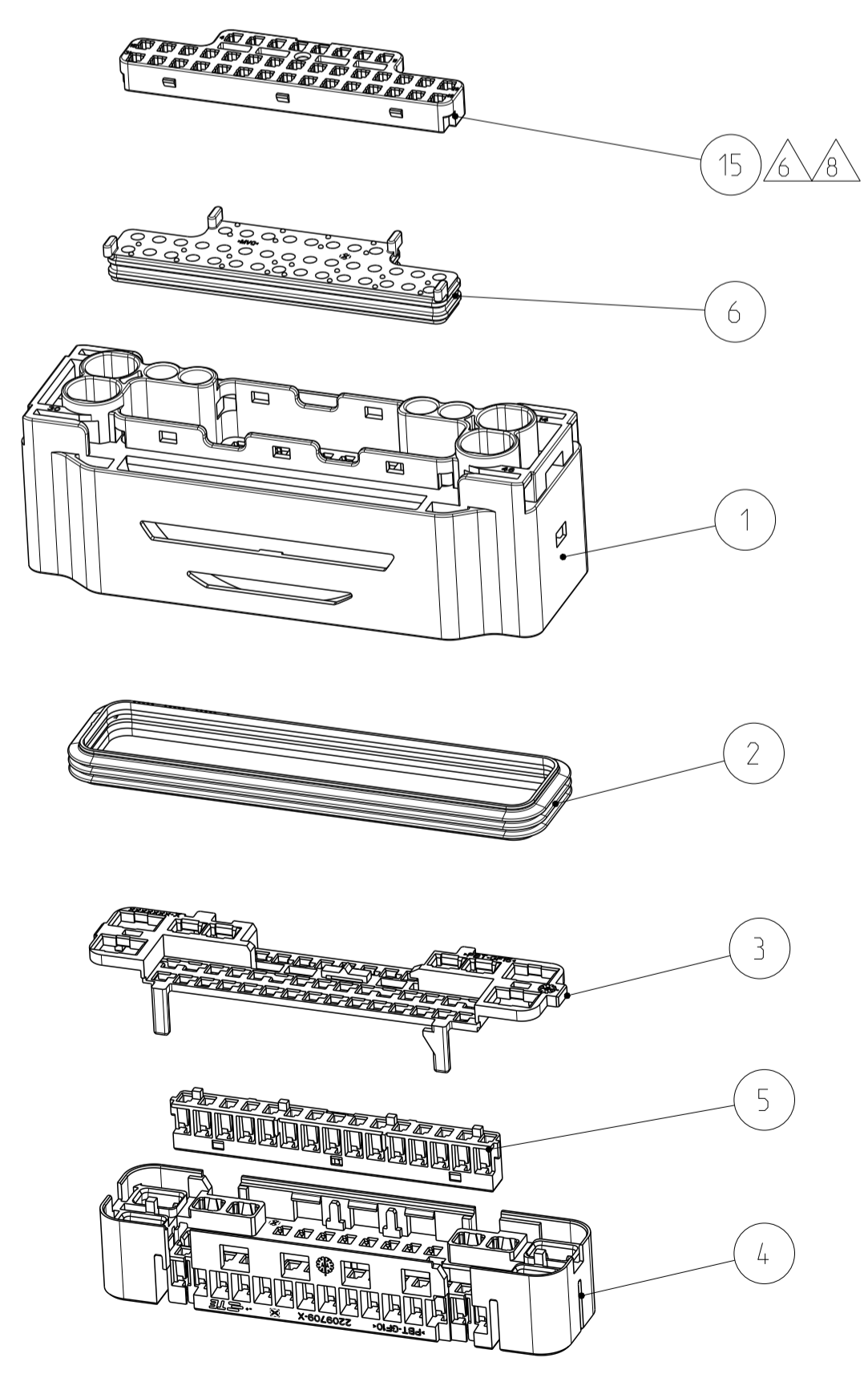
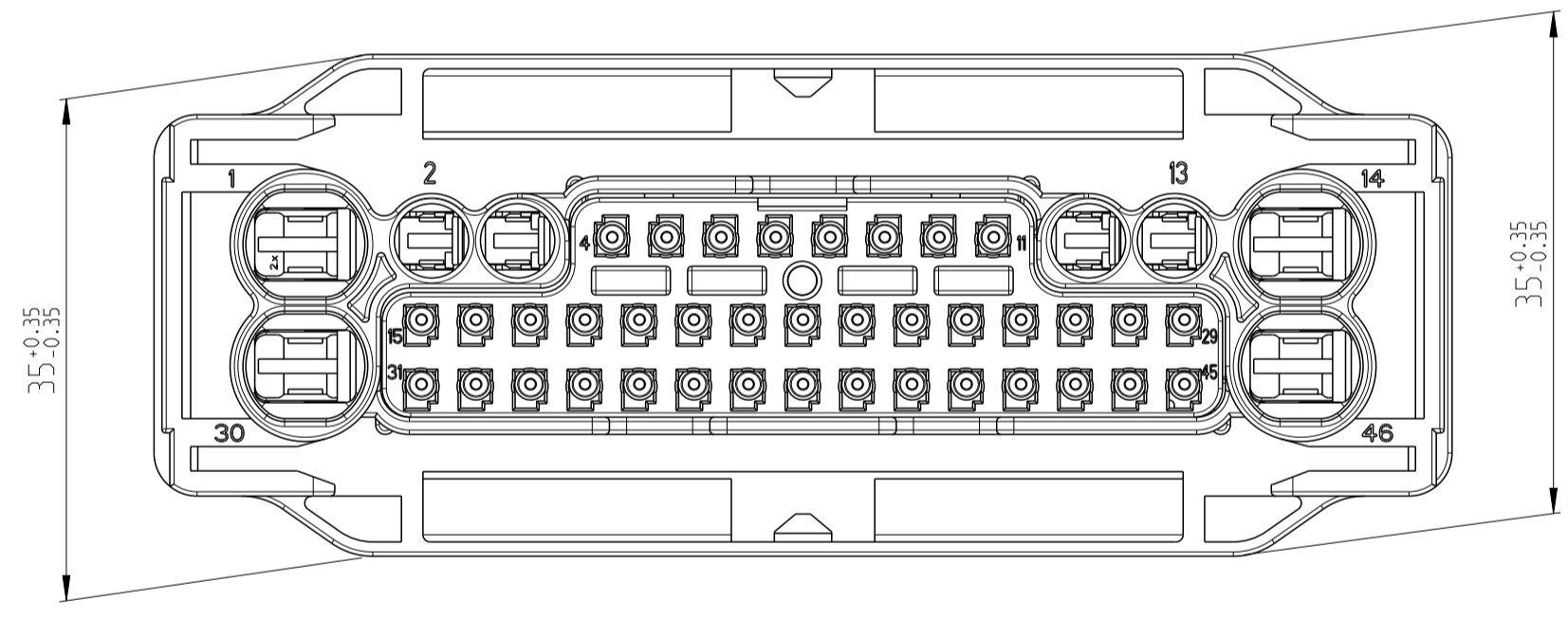
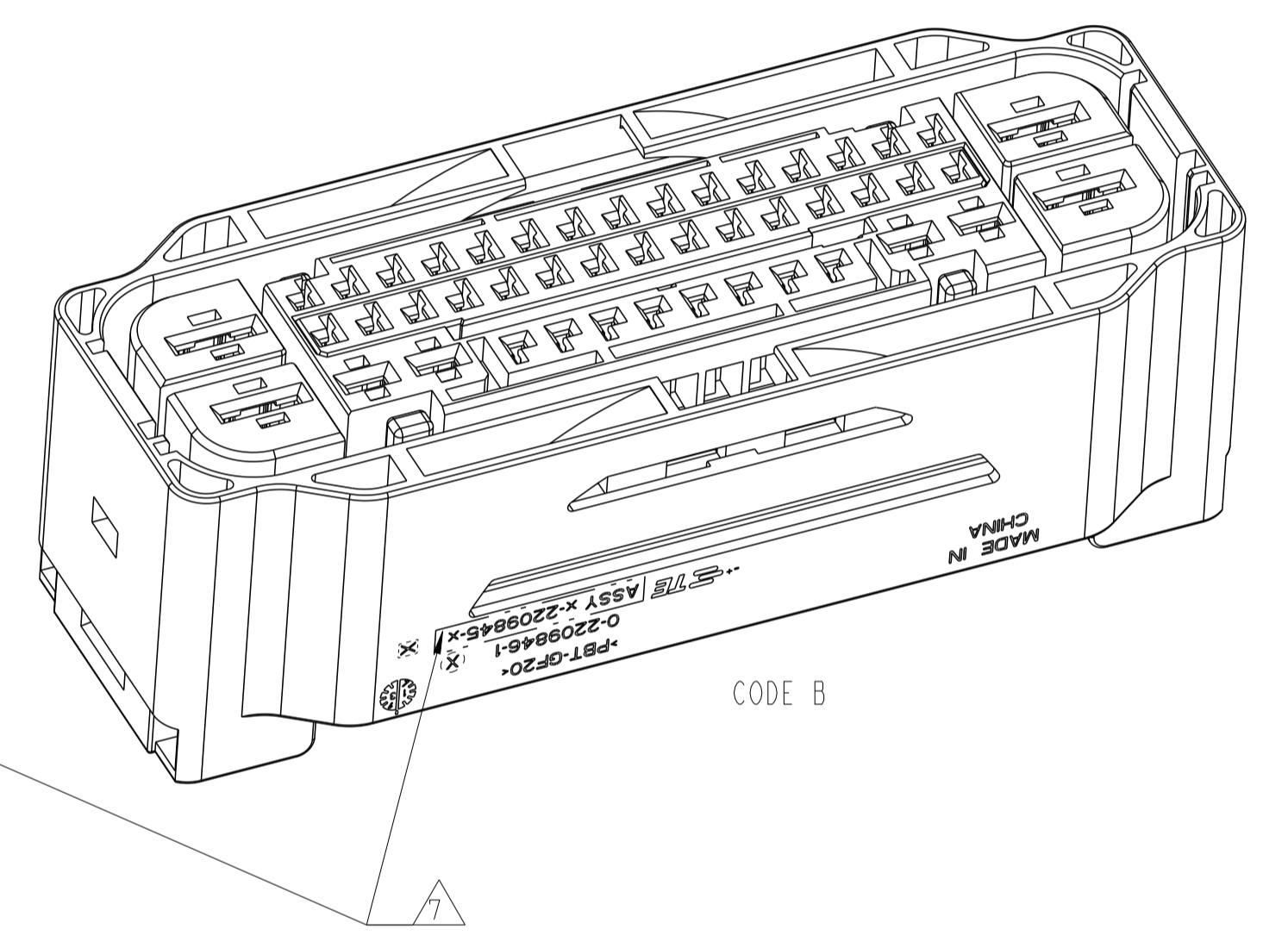
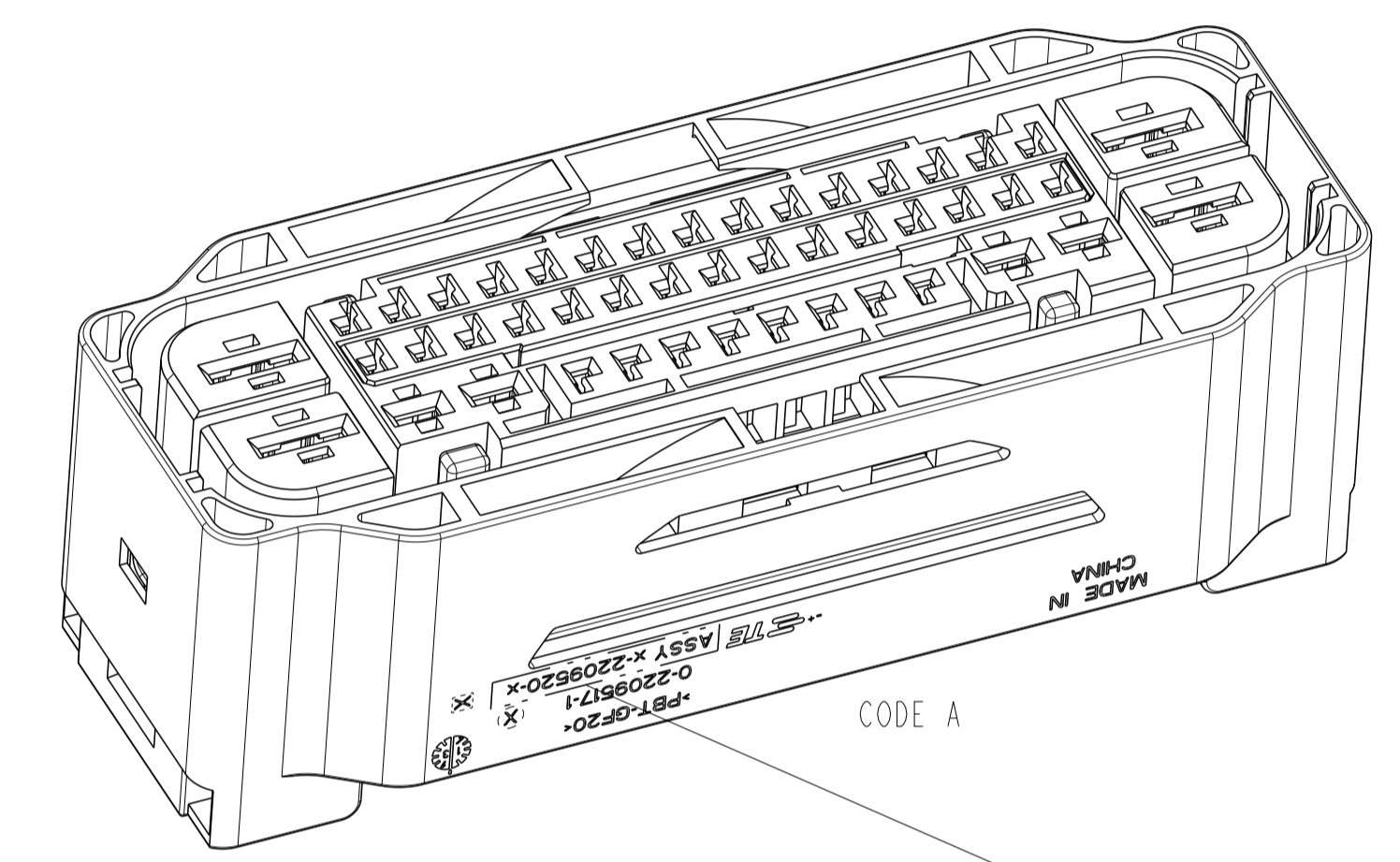
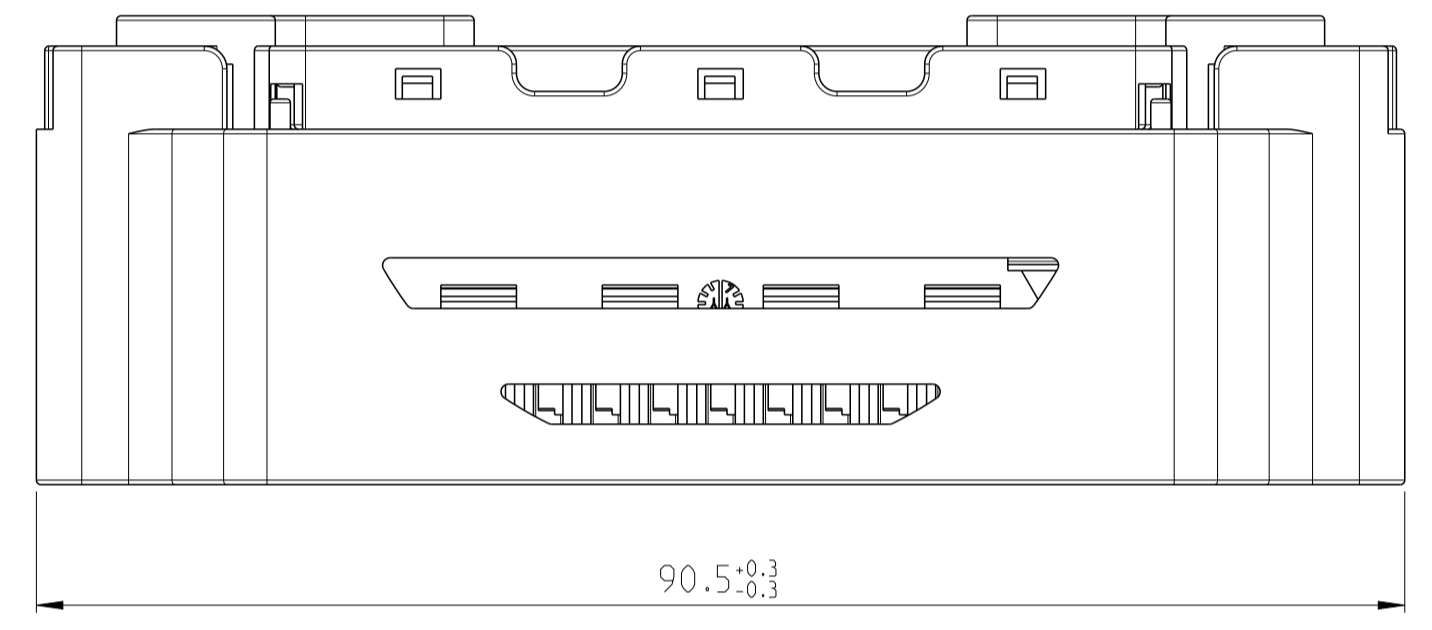
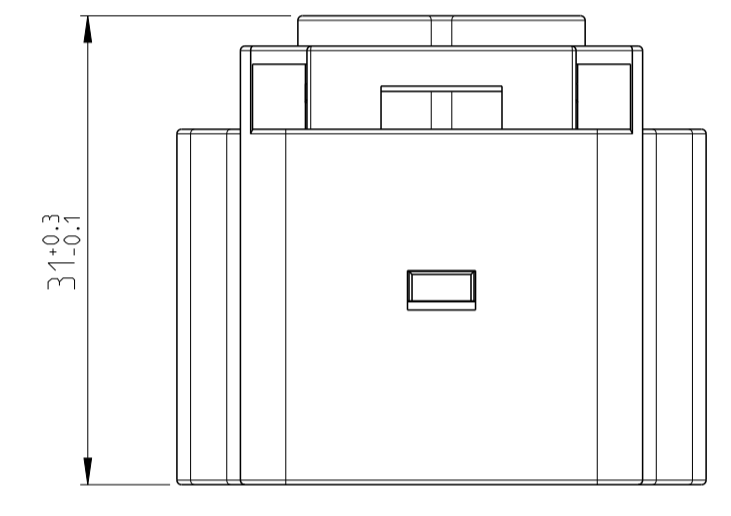
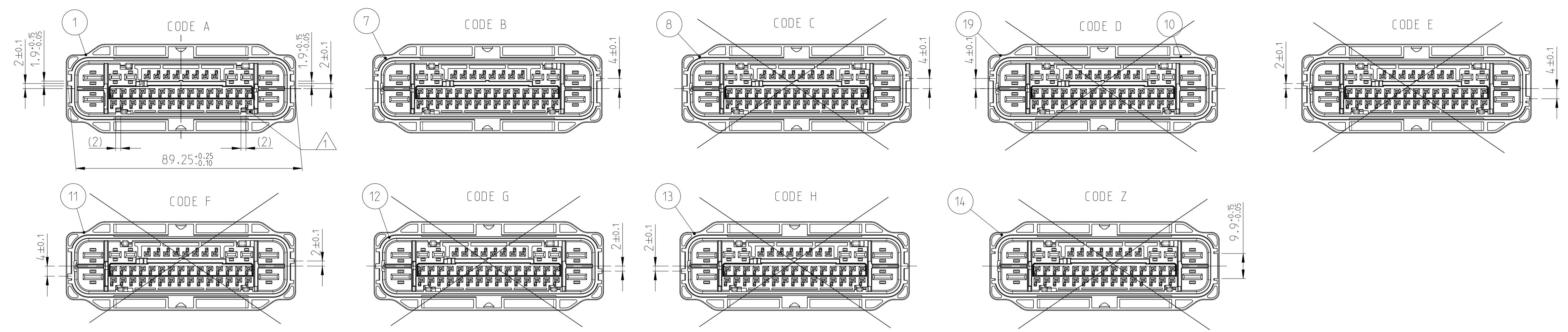


LOC		DIST		REVISIONS			
P	LTN	DESCRIPTION	DATE	OWN	APPD		
B25	ECR-23-195303		15DEC 23	S.X	J.Z		
B26	ECR-24-204228 add variant PN		29MAR 24	S.X	J.Z		
B27	ECR-24-208648 add variant pn		13MAY 24	S.X	J.Z		
B28	ECR-24-209663 add variant PN		23MAY 24	S.X	J.Z		



NOTES

- 1 RETAINER (3) IN PRE-LOCKED CONDITION
- 2 USED WITH 2209521 (COVER ASSY)
- 3 PACKING: LAYERS IN BOX
- 4 TE ASSY NO., SEE TABLE
- 5 SUITABLE CONTACTS, E.G.:  
 MCON 1.2 CB 1534594-1 OR 2296537-1 FOR 0.35MM2,  
 THE DETAIL SEE DRAWING NO. 1534326 AND ONLY  
 FOR WIRE ISOLATION OD RANGE ø1.10-1.90MM2  
  
 AMP MCP 2.8K 1241394-1 FOR 0.5-1MM2,  
 THE DETAIL SEE DRAWING NO. 1241437  
  
 AMP MCP 4.8K 1241414-1 FOR 1.5-2.5MM2,  
 WITH SWS 1394512-1  
 AMP MCP 4.8K 1-1241418-3 FOR >4.0 - 6.0MM2  
 WITH SWS 1719043-1  
 THE DETAIL SEE DRAWING NO. 1241438
- 6 FOR ITEM 15, DETAIL VARIANT(PIN OUT FORM) SEE TABLE OF PAGE 2 & PAGE3
- 7 ASSY P/N NEED LASER MARKING IN ASSY LINE

PN 9-2209520-1 Without SEAL COVER  
 USED WITH: SEAL COVER X-2437354-X

COD	TE ASSY-NO	COLOR	MATERIAL	DESCRIPTION	QTY.	ITEM NO
A	9-2209520-1	LIGHT BLUE	SILICONE	FAMILY SEAL	1	6
		BLACK	PBT-GF10	CAVITY BLOCK	1	5
		BLACK	PBT-GF10	CAVITY BLOCK	1	4
		VIOLET	PBT-GF15	RETAINER	1	3
		NATURAL	SILICONE	SEALING	1	2
		BLACK	PBT-GF20	HOUSING 46 POS.	1	1

With SEAL COVER PN X-2209520-X  
 MORE PINOUT CONFIGURATION INFORMATION SEES PAGE 2.

COD	TE ASSY-NO	COLOR	MATERIAL	DESCRIPTION	QTY.	ITEM NO
B	9-2209845-9	NATURAL	PBT-GF20	SEAL COVER	1	15
		LIGHT BLUE	SILICONE	FAMILY SEAL	1	6
		BLACK	PBT-GF10	CAVITY BLOCK	1	5
		BLACK	PBT-GF10	CAVITY BLOCK	1	4
		VIOLET	PBT-GF15	RETAINER	1	3
		NATURAL	SILICONE	SEALING	1	2
		BLACK	PBT-GF20	HOUSING 46 POS.	1	7
A	9-2209520-9	NATURAL	PBT-GF20	SEAL COVER	1	15
		LIGHT BLUE	SILICONE	FAMILY SEAL	1	6
		BLACK	PBT-GF10	CAVITY BLOCK	1	5
		BLACK	PBT-GF10	CAVITY BLOCK	1	4
		VIOLET	PBT-GF15	RETAINER	1	3
		NATURAL	SILICONE	SEALING	1	2
		BLACK	PBT-GF20	HOUSING 46 POS.	1	1

THIS DRAWING IS A CONTROLLED DOCUMENT.

DIMENSIONS: mm 	TOLERANCES UNLESS OTHERWISE SPECIFIED: 0 PLC 1 PLC 2 PLC 3 PLC 4 PLC MILES FINISH	DWG: J.ZHONG 04-MAR-13 CHK: A.DANG 04-MAR-13 APVD: LYJIN 04-MAR-13 PRODUCT SPEC 100-101281 APPLICATION SPEC 116-101047 WEIGHT: 58.8g CUSTOMER DRAWING	NAME: 46 POS REC HSG. ASSY MCON 1.2CB, MCP 2.8/4.8 mm SIZE: CAGE CODE DRAWING NO RESTRICTED TO: A1 00779 ©=2209520 SCALE: 1:1 SHEET 1 OF 3 REV: B28
-----------------------	--	---	---



