

REVISIONS					
P	LTR	DESCRIPTION	DATE	DWN	APVD
	A	NEW DRAWING	17SEP2013	SG	ODC
	B	NEW PRODUCT GROUP DRAWING	21FEB2019	Ho.	

REFER TO PRODUCT GROUP DRAWING
FOR LATEST INFORMATION
ON THE PART
2351897

Aktuelle Produktinformationen
siehe Produktgruppenzeichnung
2351897

2015


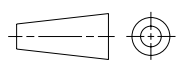
RELEASED FOR PUBLICATION

ALL RIGHTS RESERVED.

Tyco Electronics AMP GmbH

© COPYRIGHT 2015

THIS DRAWING IS UNPUBLISHED.

DIMENSIONS: mm		DWN M. Homolka	28NOV2018	MATERIAL	-	FINISH	-
TOLERANCES UNLESS OTHERWISE SPECIFIED:		CHK S. Raab	28NOV2018	 TE Connectivity			
		APVD M. Burghard	28NOV2018				
0 PLC ±0.2		PRODUCT SPEC		NAME HV8mm SOCKET TERMINAL 180DEG			
1 PLC ±0.1		-		-			
2 PLC ±0.05		APPLICATION SPEC		-			
3 PLC ±0.05		-		-			
4 PLC ±0.05		-		SIZE	CAGE CODE	DRAWING NO	RESTRICTED TO
ANGLES ±2.0		WEIGHT		A 4	00779	©=2208608	
				CUSTOMER DRAWING		SCALE	5:1
				SHEET		1 OF 1	REV B