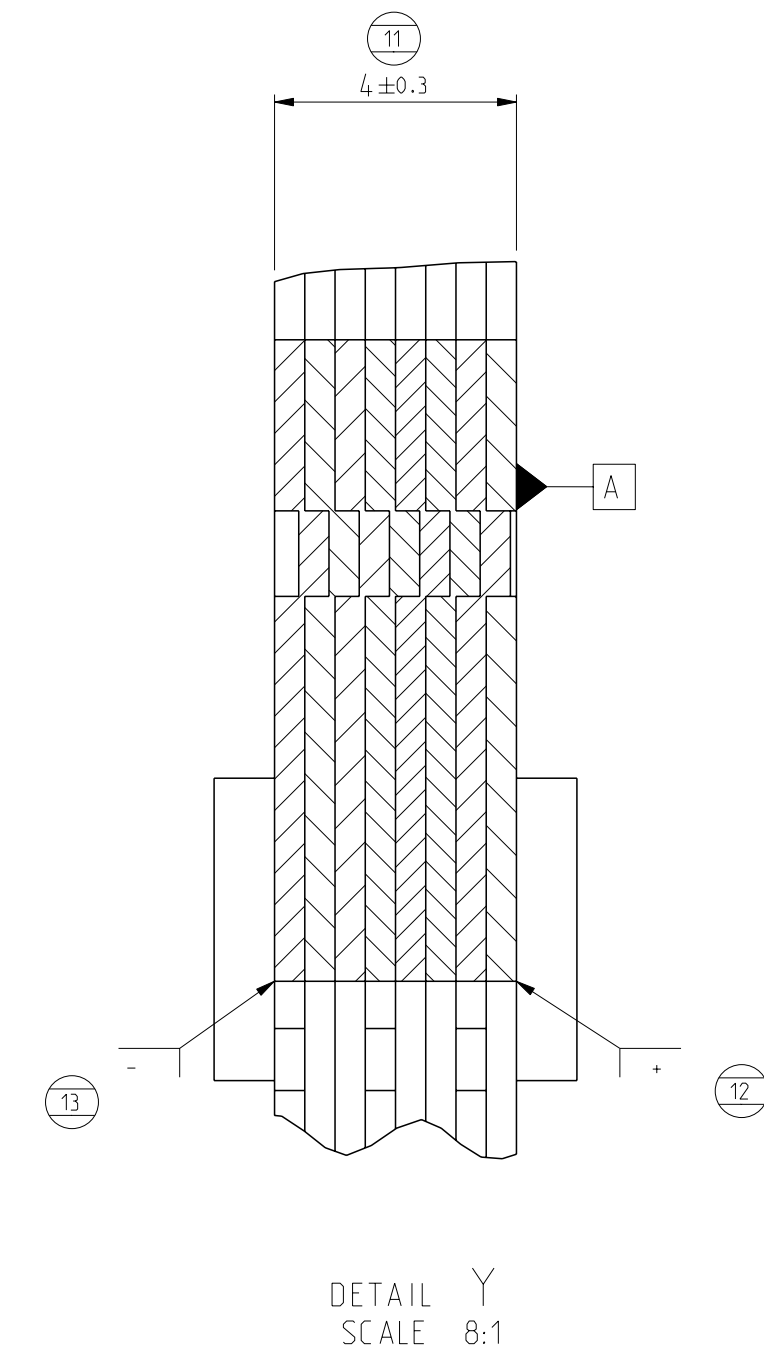
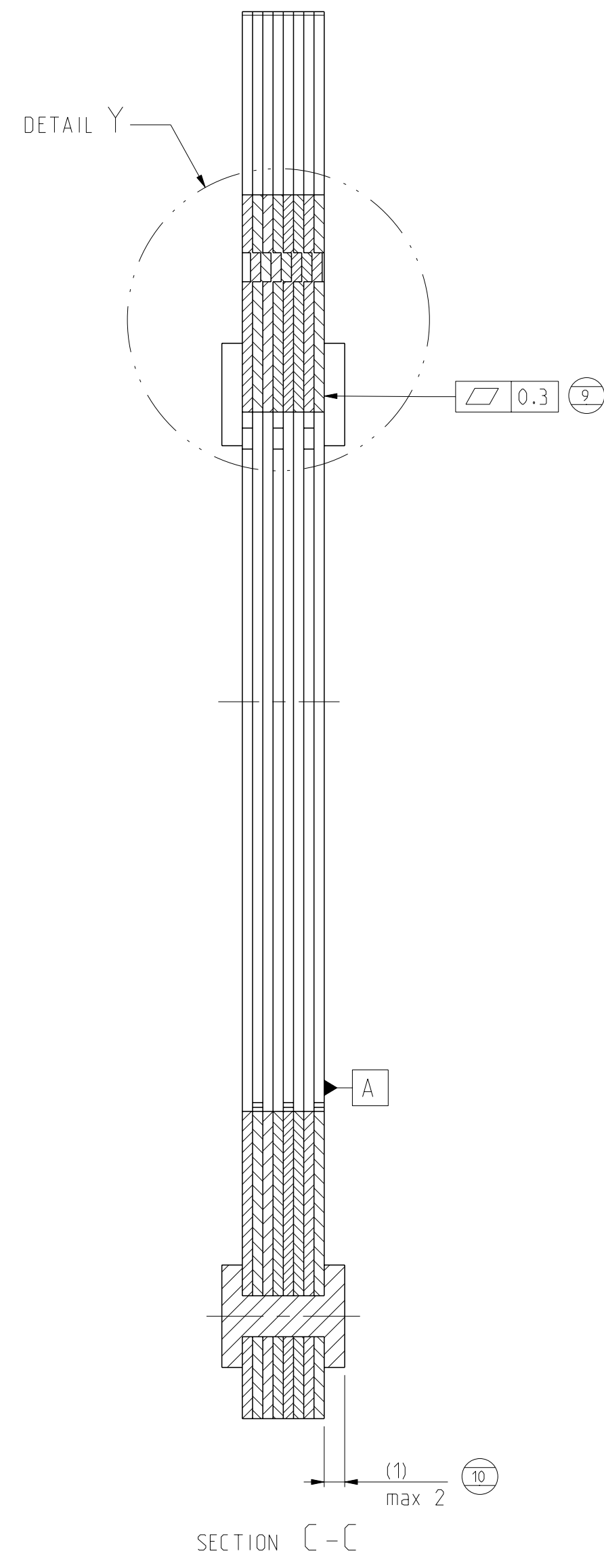
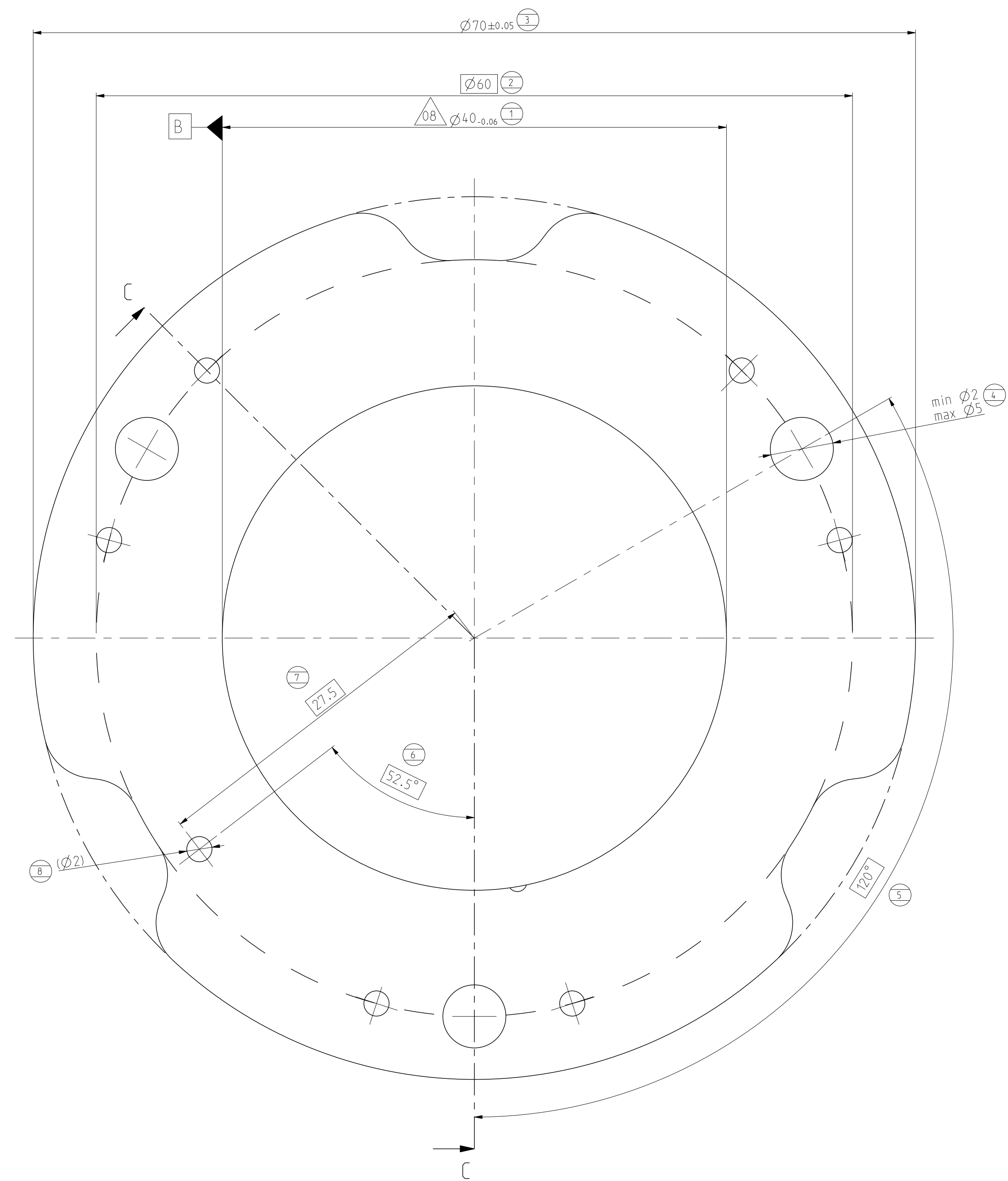
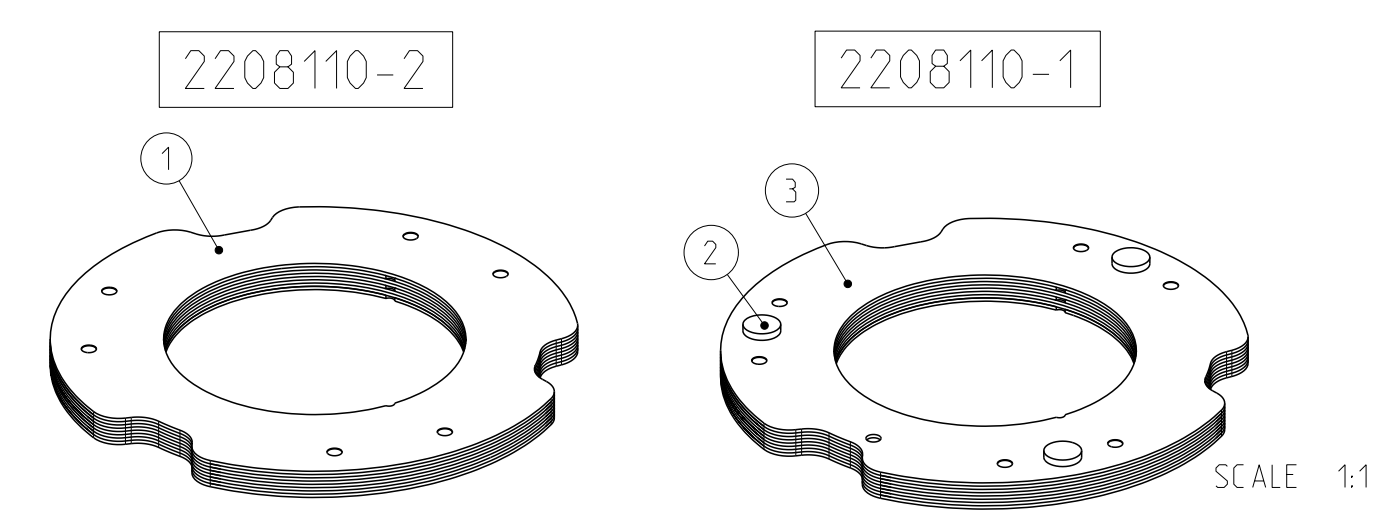


Proj. No.	LOC	DIST	REVISIONS					
			P	LTB	DESCRIPTION	DATE	DWN	APVD
GW		00	A		initial drawing	27MAR2012	GM	TO



- 01 Tol. ISO 8015
Angle, Form and Position: DIN ISO 2768-mH.
- 02 0.5mm thick sheet lamellas are used for rotor
- 03 Oxidation of metal sheets can occur
- 04 Rotor contour can be changed to optimize performance.
- 05 Max 0.4 allowed in mounted condition
- 06 Dimension shown on drawing are build in dimensions based on platform design
- 07 For product availability and lead time check at TE connectivity
- 08 Other diameters between 20 and 50 on special request

UNQUALIFIED PRODUCT
 As long as DV testing is not yet completed, it is not guaranteed that this product complies with customer spec.



TE NO.	PART NO	QTY	DESCRIPTION	ITEM NO
2208110-1	-	8	Rotor Lamella	3
2208110-1	-	3	Rivet	2
2208110-2	-	8	Rotor Lamella	1

THIS DRAWING IS A CONTROLLED DOCUMENT.		DWN: Mertens G. 27MAR2012		NAME: Rotor MCR307 3 Speed	
DIMENSIONS: mm		CHK: Van Reyndouck K. 27MAR2012		SIZE: A1	
TOLERANCES UNLESS OTHERWISE SPECIFIED: 01		APVD: Dickert T. 27MAR2012		CAGE CODE: 00779	
MATERIAL: -		FINISH: -		DRAWING NO: C=2208110	
DIMENSION NUMBERS: 1 till 21		DELETED NUMBERS: -		SCALE: 1:1	
		CUSTOMER DRAW ING		SHEET 1 OF 1	