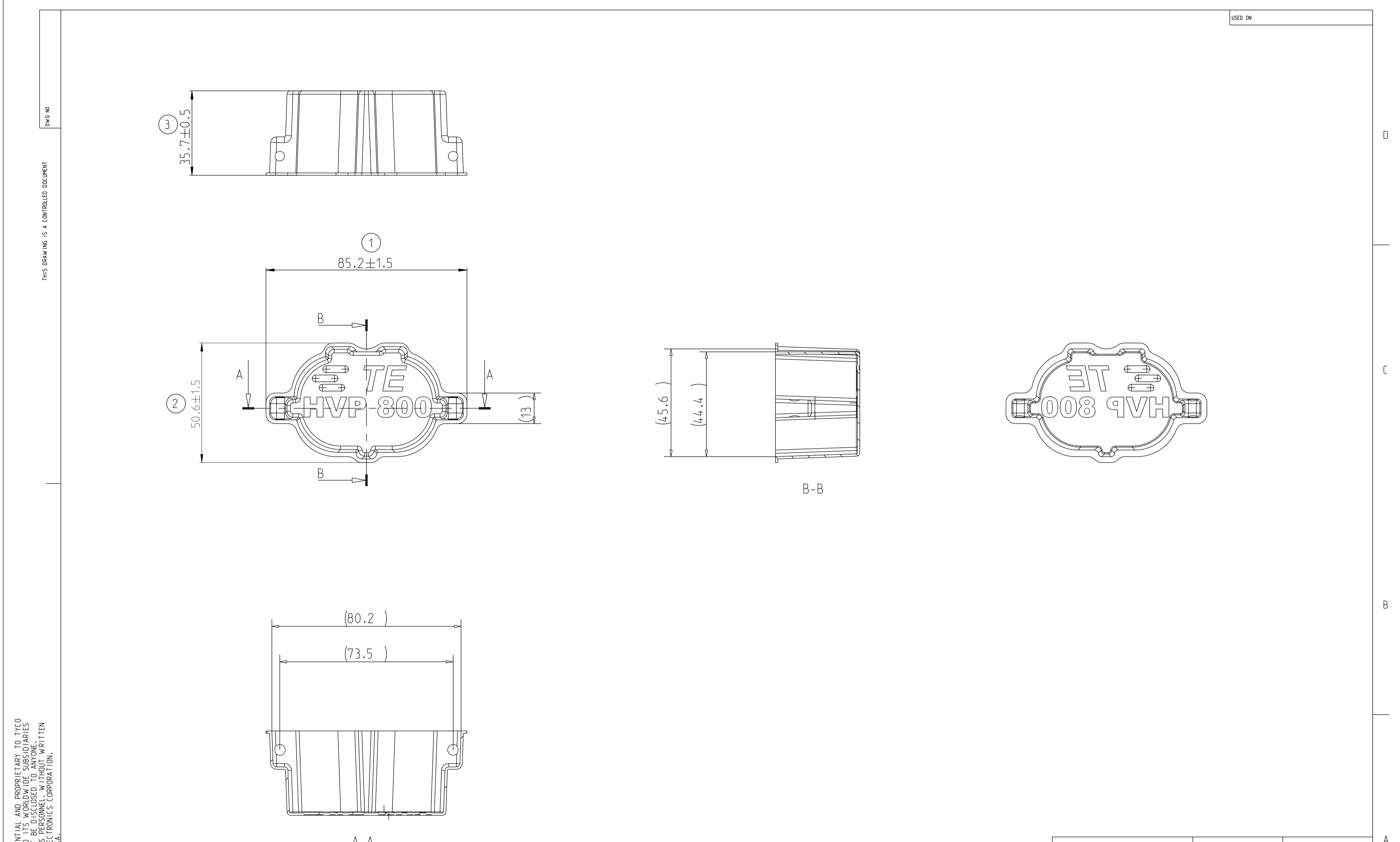
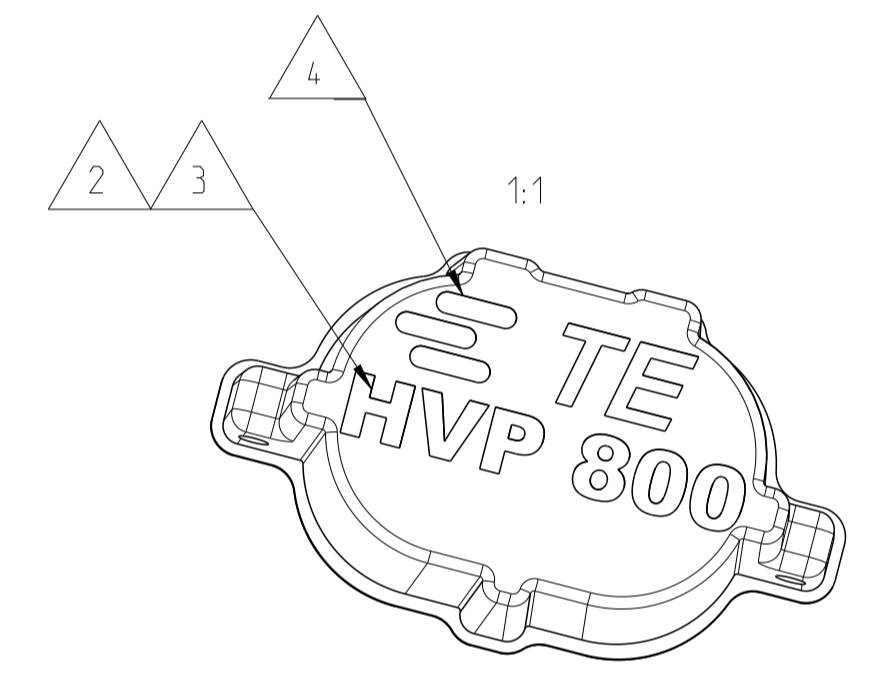


REVISIONS				
P	LTR	DESCRIPTION	DATE	DWN APVD
A		NEW DRAWING	27AUG2014	W SA W BA



- NOTES
Bemerkungen
- 1 IN CASE OF DISCREPANCIES BETWEEN GERMAN AND ENGLISH TEXT THE GERMAN TEXT IS BINDING
Im Falle von Unterschieden zwischen dem deutschen und dem englischen Text ist der deutsche Text verbindlich
 - 2 CHARACTERS ACCORDING TO DIN 1451
Mittelschrift nach DIN 1451
 - 3 CHARACTERS 8.5MM SUNK
Schriftöhe 8.5mm vertieft
 - 4 TE-TRADEMARK ACC TO TEC-202-36
TE-Warenzeichen nach TEC-202-36
 - 5 PACKAGING: BULK PACKAGING IN PLASTIC BAG AND CORRUGATED SHIPPING BOX
Verpackung: Schuetttgut in Beutel und Versandkarton



THIS INFORMATION IS CONFIDENTIAL AND PROPRIETARY TO TYCO ELECTRONICS CORPORATION AND ITS WORLDWIDE SUBSIDIARIES AND AFFILIATES. IT MAY NOT BE DISCLOSED TO ANYONE OTHER THAN TYCO ELECTRONICS PERSONNEL, WITHOUT WRITTEN PERMISSION FROM TYCO ELECTRONICS CORPORATION. FÄHRISSELN: BEWÄHRUNGSSCHLÜSSEL.

LOC	
DIST	

(5575-E05)

P	LTR	REVISION RECORD	DATE	DWN	APVD
A		First Drawing	03.7.12	RH	

DIMENSIONS:		TOLERANCES UNLESS OTHERWISE SPECIFIED:	
		0 PLC	±
		1 PLC	±
		2 PLC	±
		3 PLC	±
		4 PLC	±
ANGLES ± 0.5°		SURFACE TEXTURE	

DWN	R. Hurrle	MATERIAL	PS Reg. 1mm	HEAT TREAT	-
CHK	-	UNIPA			
APVD	-	NAME Abdeckkappe für 2-pos. pinheader			
SCALE	1:1	SIZE	A2	DRAWING NO	PN 9-2208100-1A
		SHEET	OF	REV	A

THIS DRAWING IS A CONTROLLED DOCUMENT.		DWN	W. Saenger	27AUG2014	TE Connectivity
DIMENSIONS:		CHK	H.Vu	27AUG2014	
mm		APVD	W. Baltes	28AUG2014	NAME
		TOLERANCES UNLESS OTHERWISE SPECIFIED:		0 PLC	±
				1 PLC	±
				2 PLC	±
				3 PLC	±
				4 PLC	±
				ANGLES	±
				FINISH	±
MATERIAL		WEIGHT		RESTRICTED TO	
				SIZE	CAGE CODE
				A1	-
				DRAWING NO	©=2208100
				SCALE	1:1
				SHEET	1 OF 1
				REV	A
				Customer Drawing	