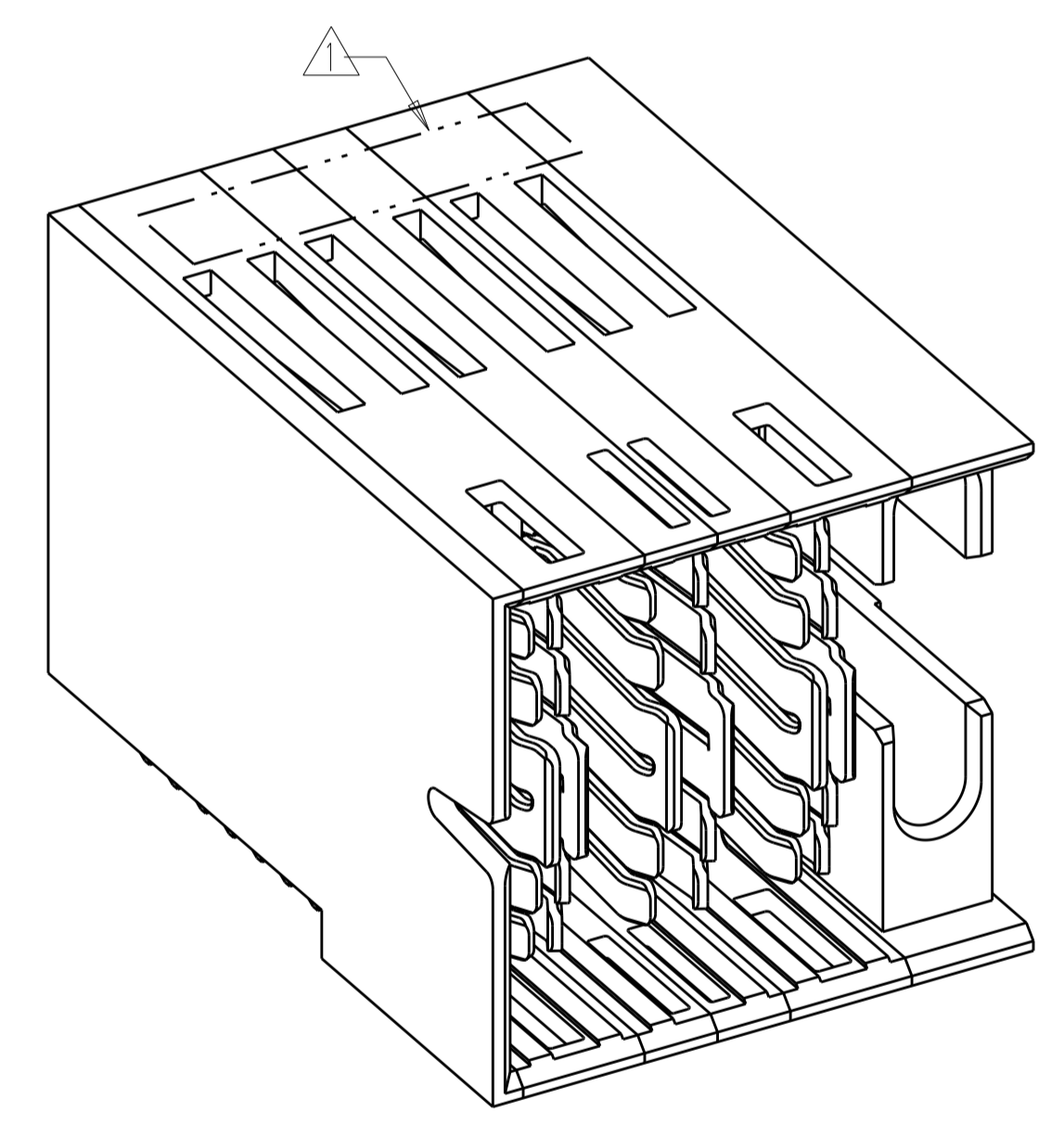
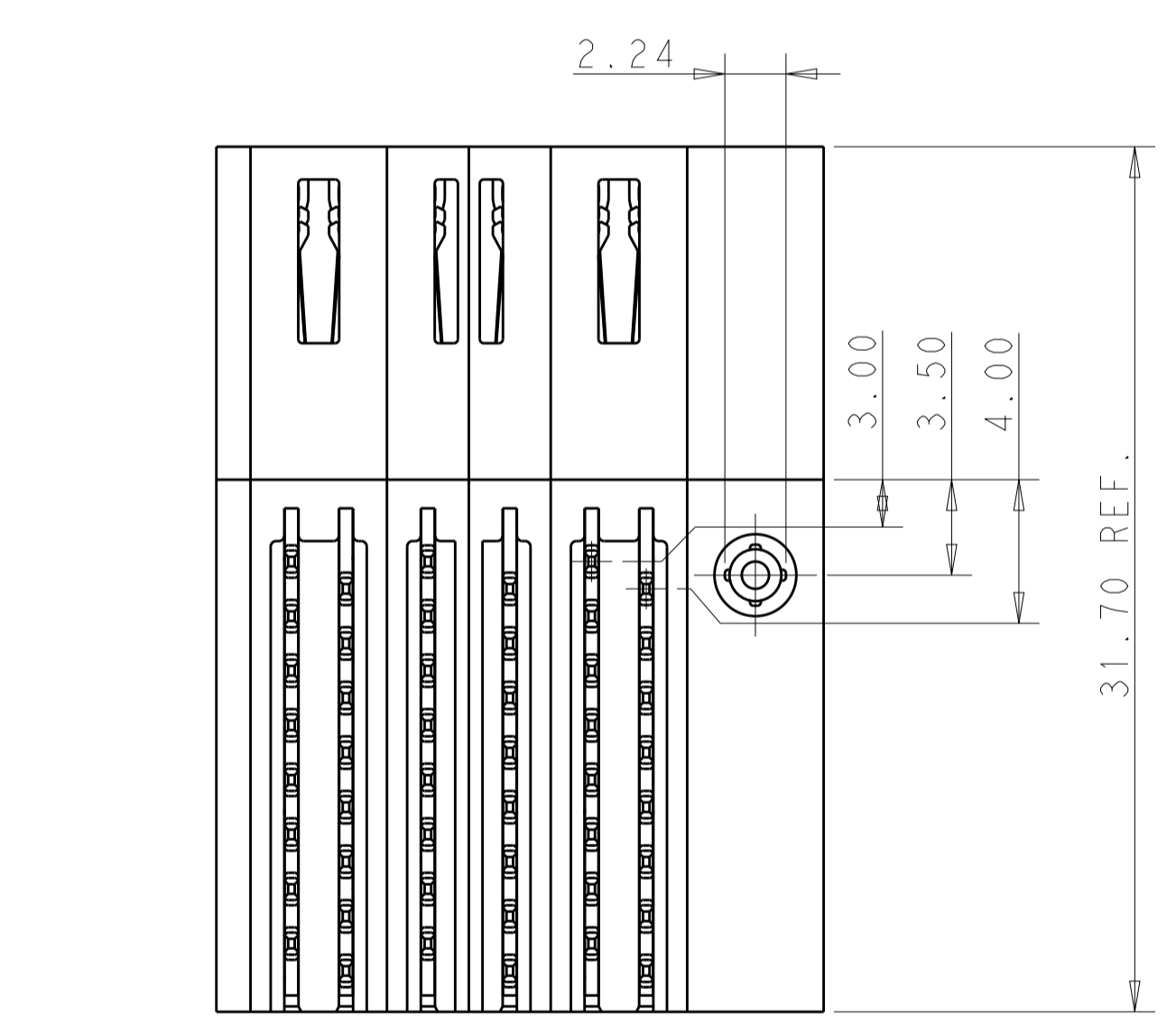
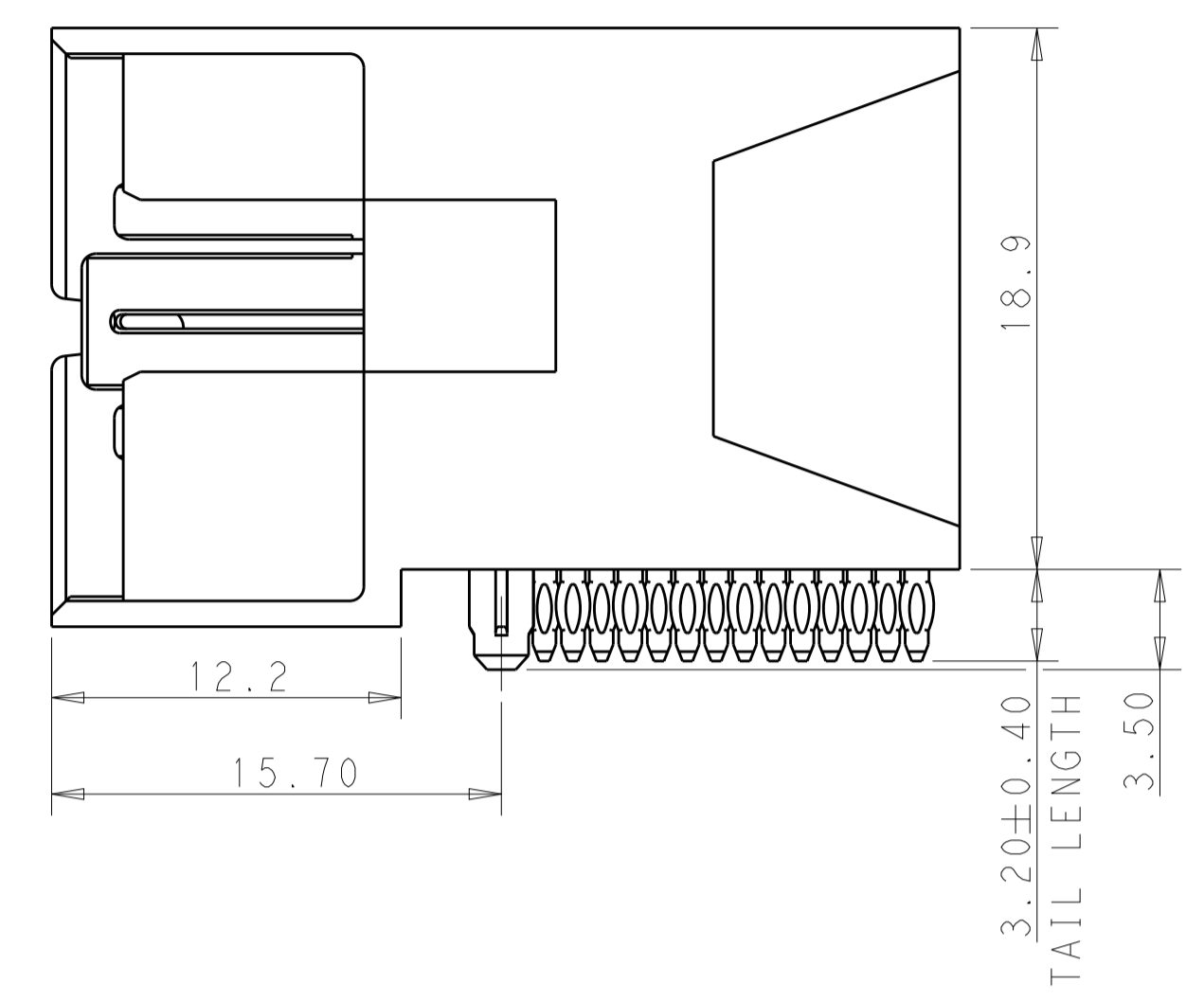
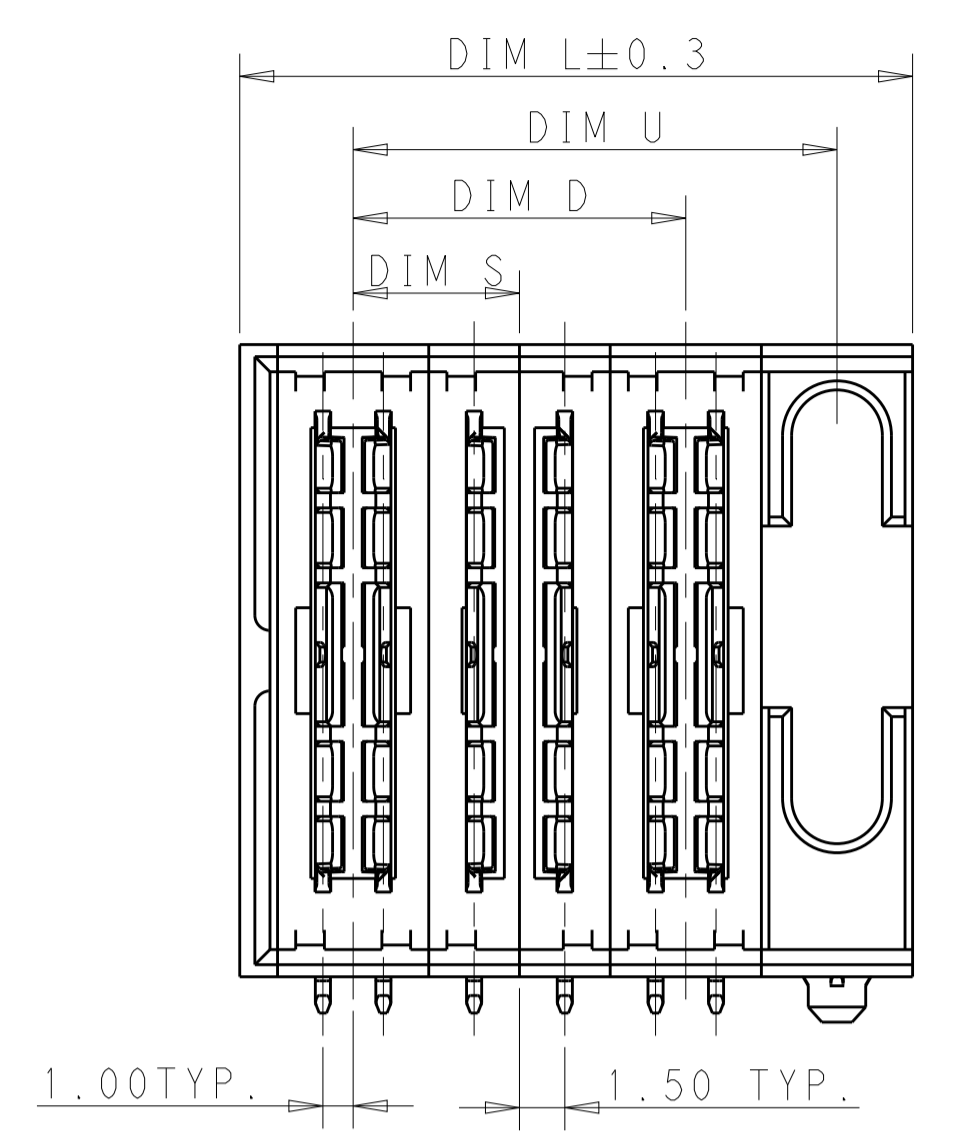


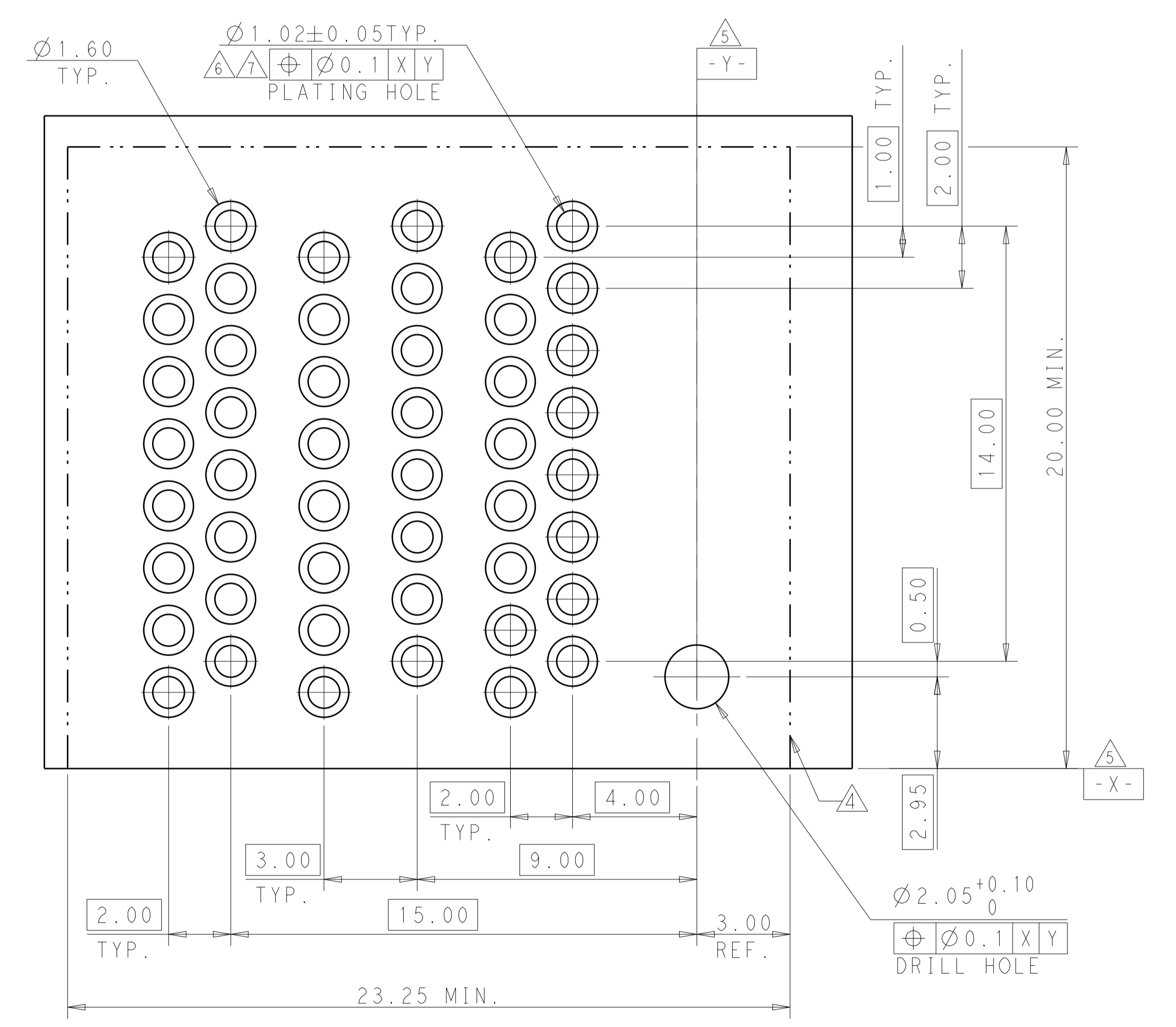
LOC		DIST		REVISIONS			
P	LTN	DESCRIPTION	DATE	DWN	APVD		
A		RELEASED DRAWING	27JUNE2018	TZ	SZ		
							SZ



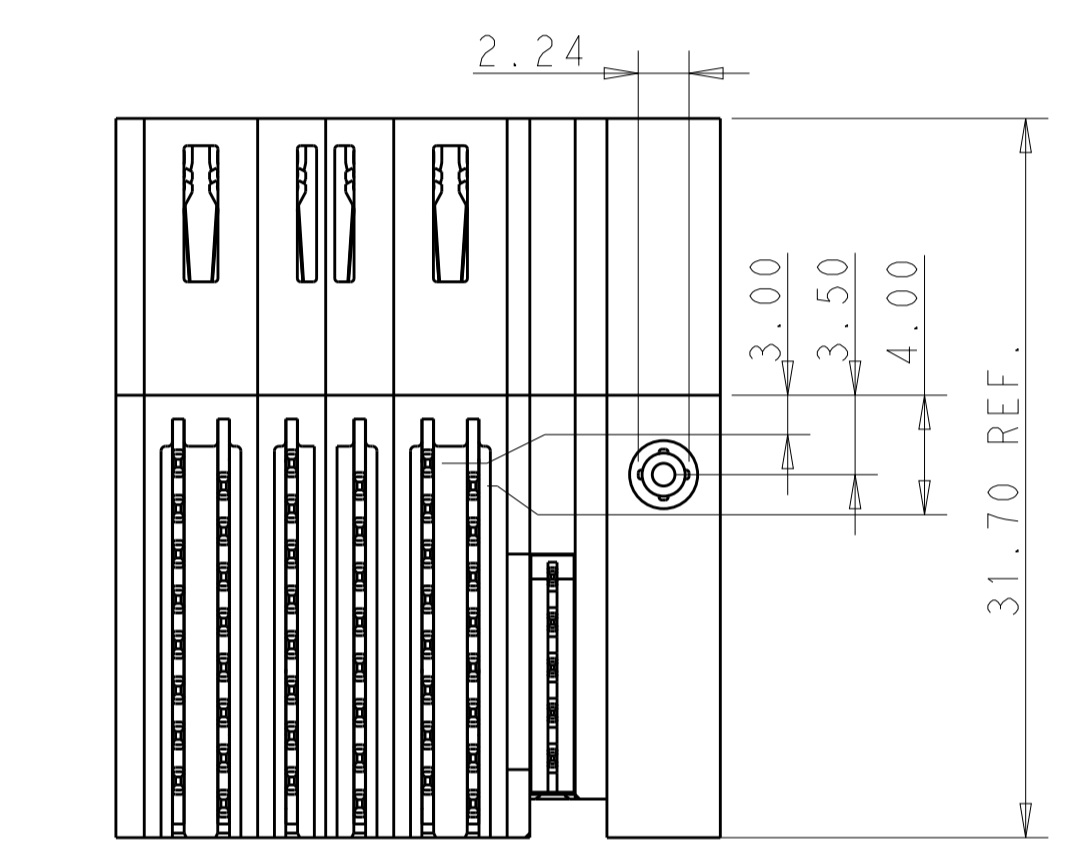
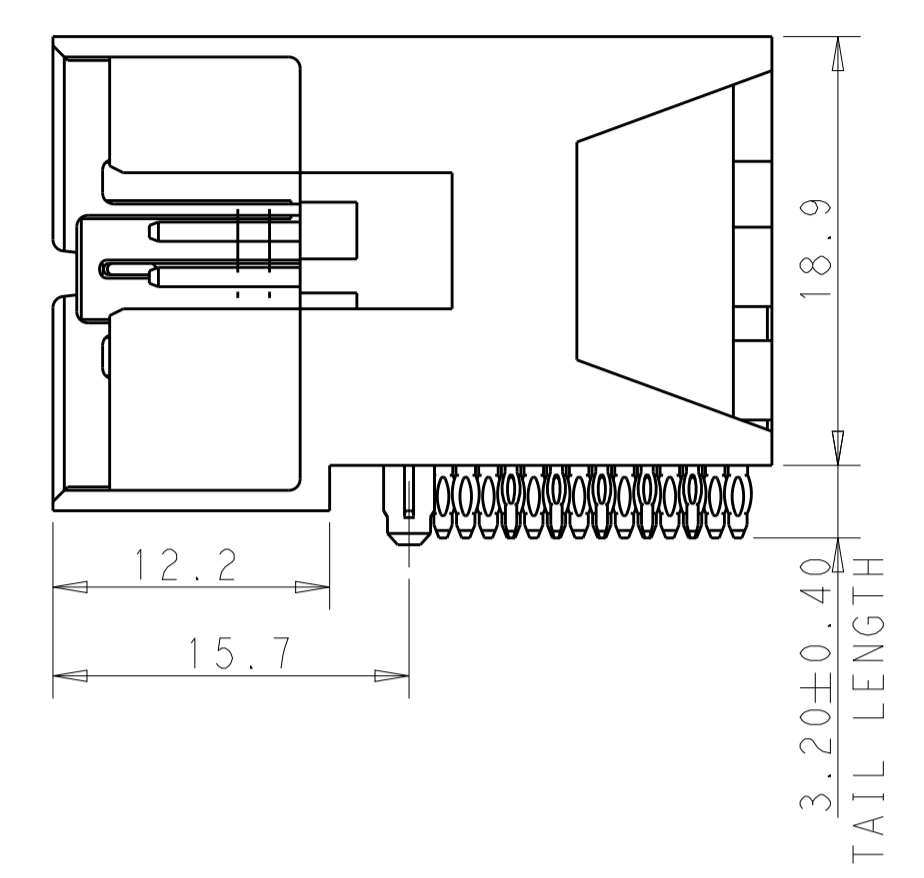
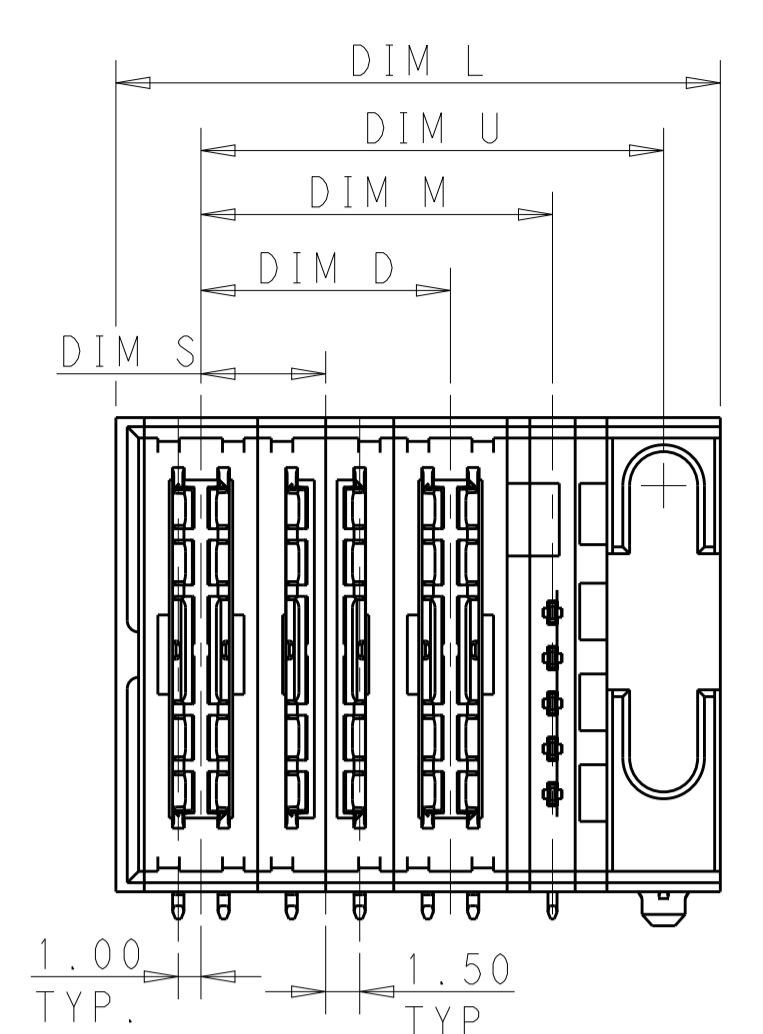
PART NUMBER	POWER				GUIDE
	PI	MI	M2	P2	
2204445-1	PH	MH	MH	PH	
IP+2MP+IP+G					

NOTES, UNLESS OTHERWISE SPECIFIED:

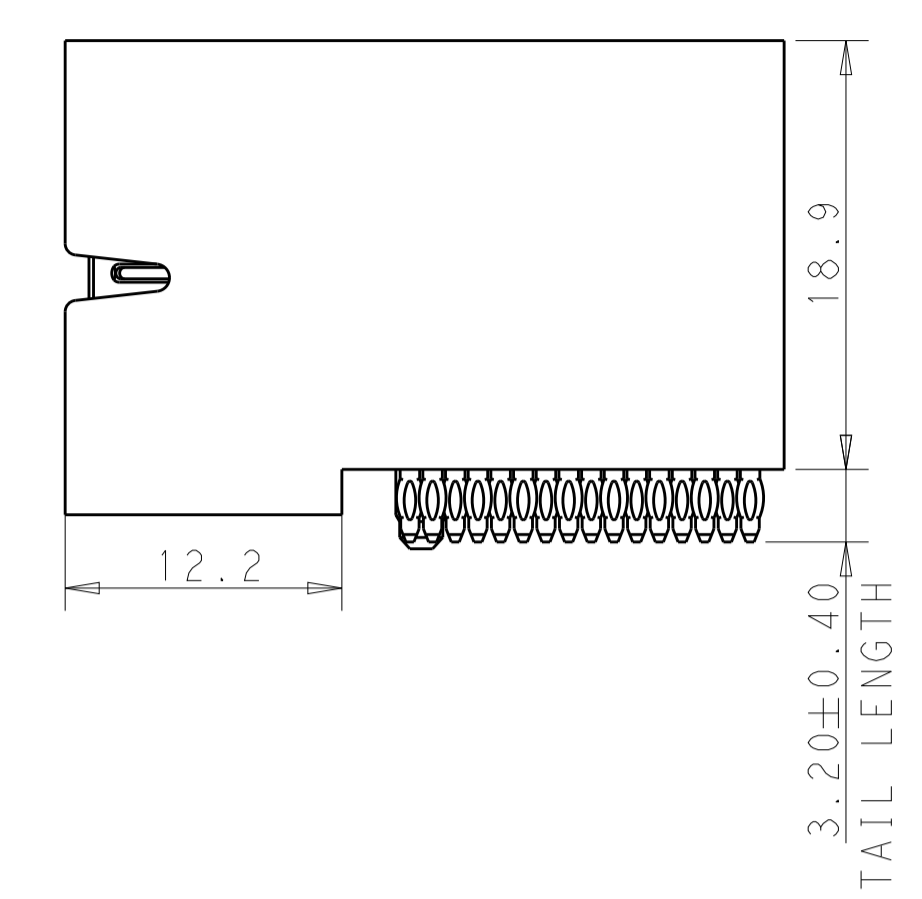
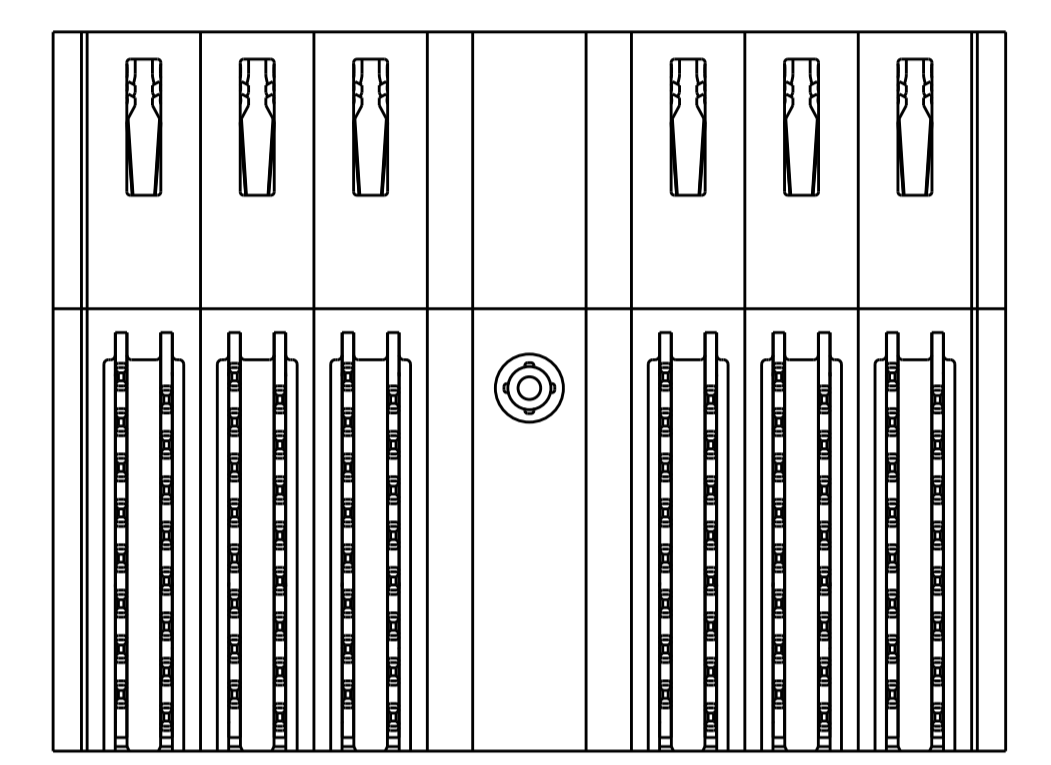
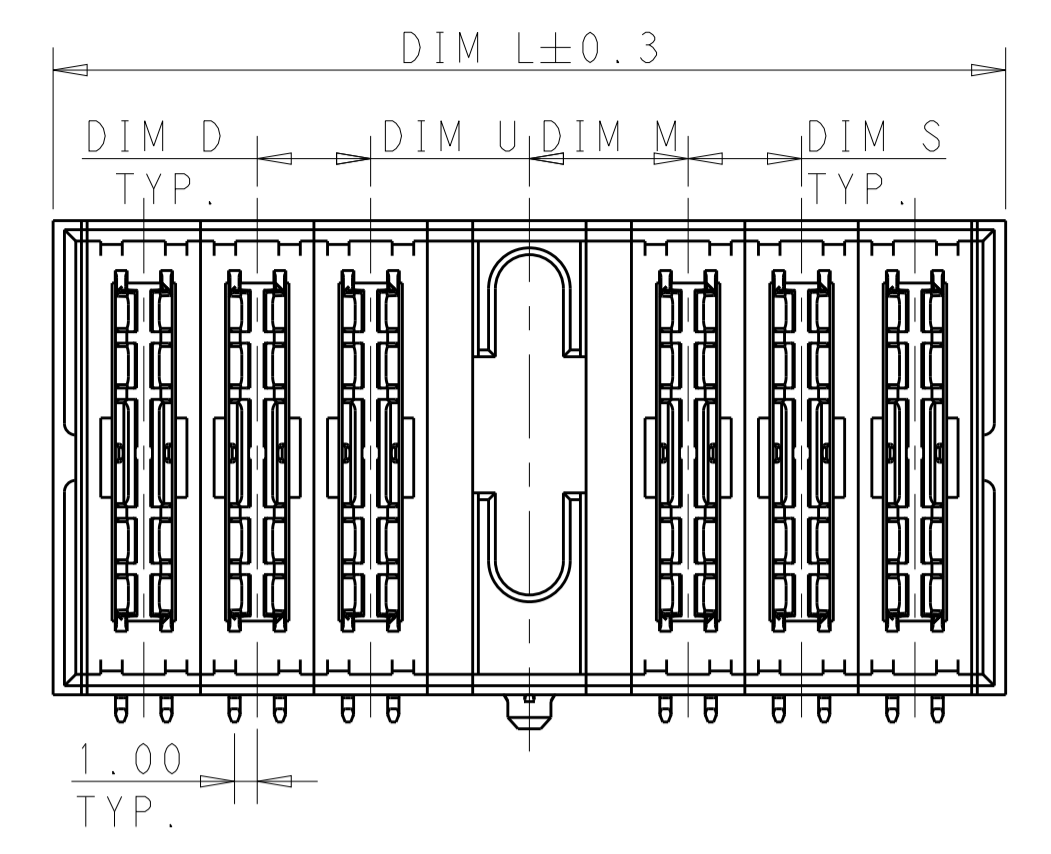
- △ "TE", PART NUMBER AND DATE CODE TO BE MARKED IN AREA SHOWN.
- △ MATERIAL:
  - HOUSING - GLASS FILLED HIGH TEMP THERMO PLASTIC, COLOR: BLACK, UL94 V- 0.
  - SIGNAL CONTACT - HIGH CONDUCTIVITY COPPER ALLOY.
  - POWER CONTACT - HIGH CONDUCTIVITY COPPER ALLOY.
- △ CONTACT PLATING:
  - MATING AREA - NOBLE METAL OVERALL NICKEL
  - TAIL SIDE AREA - MATTE TIN OVERALL NICKEL.
- △ MECHANICAL CONNECTOR KEEP OUT ZONE.
- △ DATUM AND BASIC DIMENSIONS ESTABLISHED BY CUSTOMER.
- △ PCB - ALL HOLE DIAMETERS ARE FINISHED HOLE SIZES.
- △ PCB HOLE:
  - POWER - 1.15 ± 0.025 MM DRILLED HOLES SIZE PLATING WITH 0.0076 MM MIN. Sn OVER 0.025~0.076 MM Cu PLATING TO ACHIEVE A 1.02 MM DIA. HOLE.
  - SIGNAL - 0.835 ± 0.025 MM DRILLED HOLES SIZE PLATING WITH 0.0076 MM MIN. Sn OVER 0.025~0.076 MM Cu PLATING TO ACHIEVE A 0.72 MM DIA. HOLE.



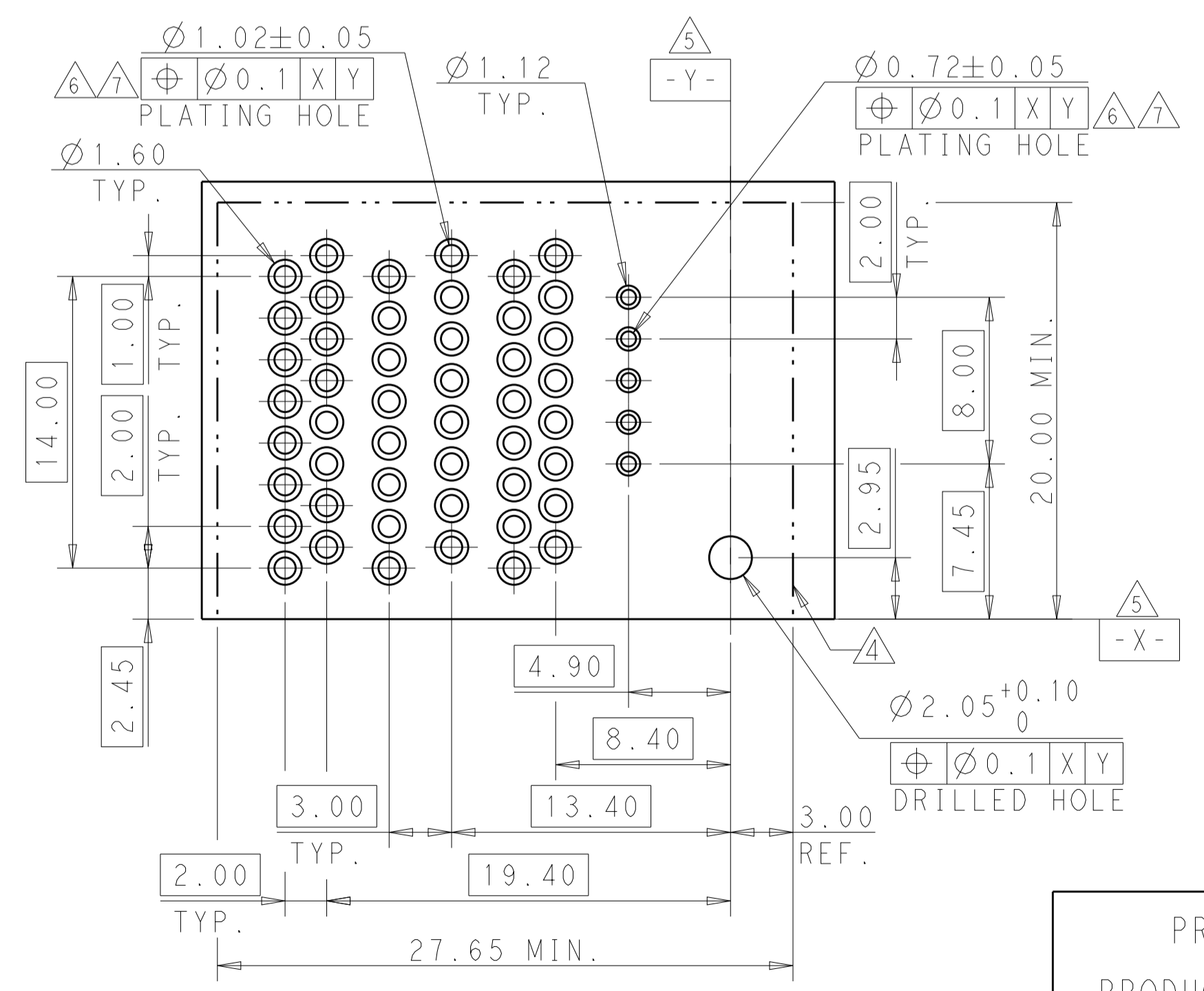
THIS DRAWING IS A CONTROLLED DOCUMENT.		DWN THOMAS ZHAO 25OCT2016	TE Connectivity
DIMENSIONS: mm		CHK SUNY ZHAO 25OCT2016	
TOLERANCES UNLESS OTHERWISE SPECIFIED:		APVD SUNY ZHAO 25OCT2016	NAME Customer Drawing
0 PLC ±0.4		PRODUCT SPEC	MULTI-BEAM HD CONNECTOR
1 PLC ±0.4		APPLICATION SPEC	R/A PLUG P+MP+P+G
2 PLC ±0.75		SIZE CAGE CODE DRAWING NO	A100779C=2204445
3 PLC ±1.5		RESTRICTED TO	
4 PLC ±		WEIGHT	
ANGLES ±		CUSTOMER DRAWING	SCALE 4:1 SHEET 1 OF 2 REV A
MATERIAL FINISH			



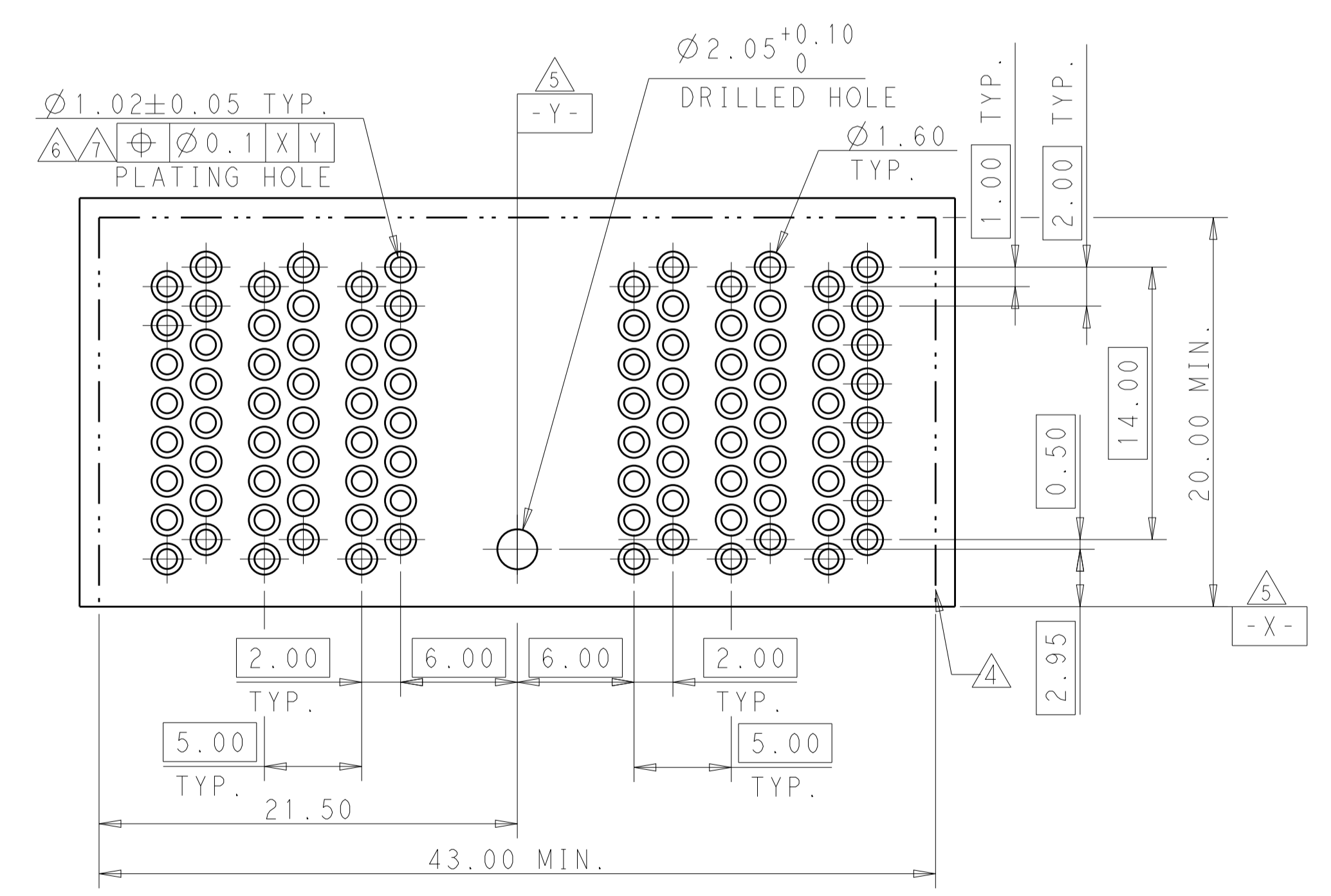
PART NUMBER	POWER			SIGNAL	GUIDE
	P1	M1	M2		
2204445-2	PH	MH	MH	PH	VH1
					VH1
					VH1
					VH1
					VH1
IP+2MP+1P+5S+G					



PART NUMBER	POWER			GUIDE	POWER		
	P1	P2	P3		P4	P5	P6
2204445-4	PH	PH	PH		PH	PH	PH
3P+G+3P							



PROPOSED DESIGN  
 PRODUCT NUMBER WILL BE  
 ASSIGNED WHEN RELEASED  
 DESIGN IS SUBJECT TO  
 CHANGE WITHOUT NOTICE



PROPOSED DESIGN  
 PRODUCT NUMBER WILL BE  
 ASSIGNED WHEN RELEASED  
 DESIGN IS SUBJECT TO  
 CHANGE WITHOUT NOTICE

DESCRIPTION	CODE
INSERT MOLD SIGNAL CONTACT STANDARD	VH1
POWER CONTACT	PH
HALF POWER CONTACT	MH
SIGNAL/HP/SIGNAL WITH GUIDE	HOUSING

PRELIMINARY  
 PRELIMINARY

42.00	7.00	7.00	5.00	5.00	3P+G+3P	2204445-4
26.65	15.50	20.40	11.00	5.50	1P+2MP+1P+5S+G	2204445-2
22.25	-	16.00	11.00	5.50	1P+2MP+1P+G	2204445-1
DIM L	DIM M	DIM U	DIM D	DIM S	DESCRIPTION	PART NUMBER
THIS DRAWING IS A CONTROLLED DOCUMENT. DWG: THOMAS ZHAO 25OCT2016 CHK: SUNY ZHAO 25OCT2016 APPD: SUNY ZHAO 25OCT2016						
DIMENSIONS: mm		TOLERANCES UNLESS OTHERWISE SPECIFIED:		NAME: Customer Drawing		
0 PLC ±0.4		1 PLC ±0.4		PRODUCT SPEC		
2 PLC ±0.75		3 PLC ±1.15		APPLICATION SPEC		
4 PLC ±1.5		5 PLC ±2.0		SIZE: A1		
ANGLES		FINISH		CAGE CODE: 2204445		
MATERIAL		WEIGHT		RESTRICTED TO		
-		-		SCALE: 4:1		
CUSTOMER DRAWING		SHEET 2 OF 2		REV A		