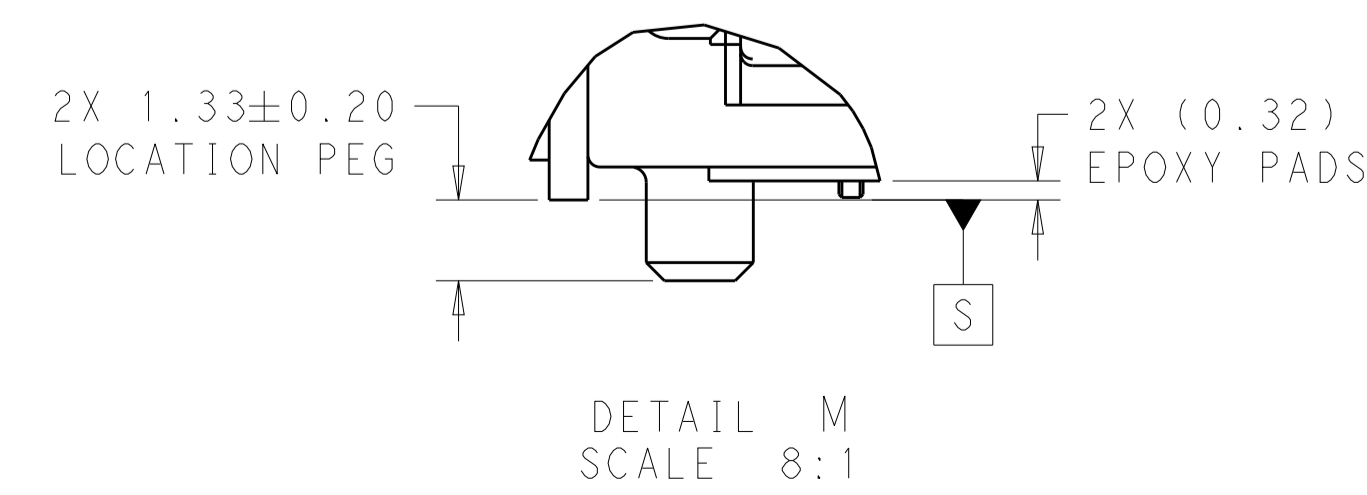
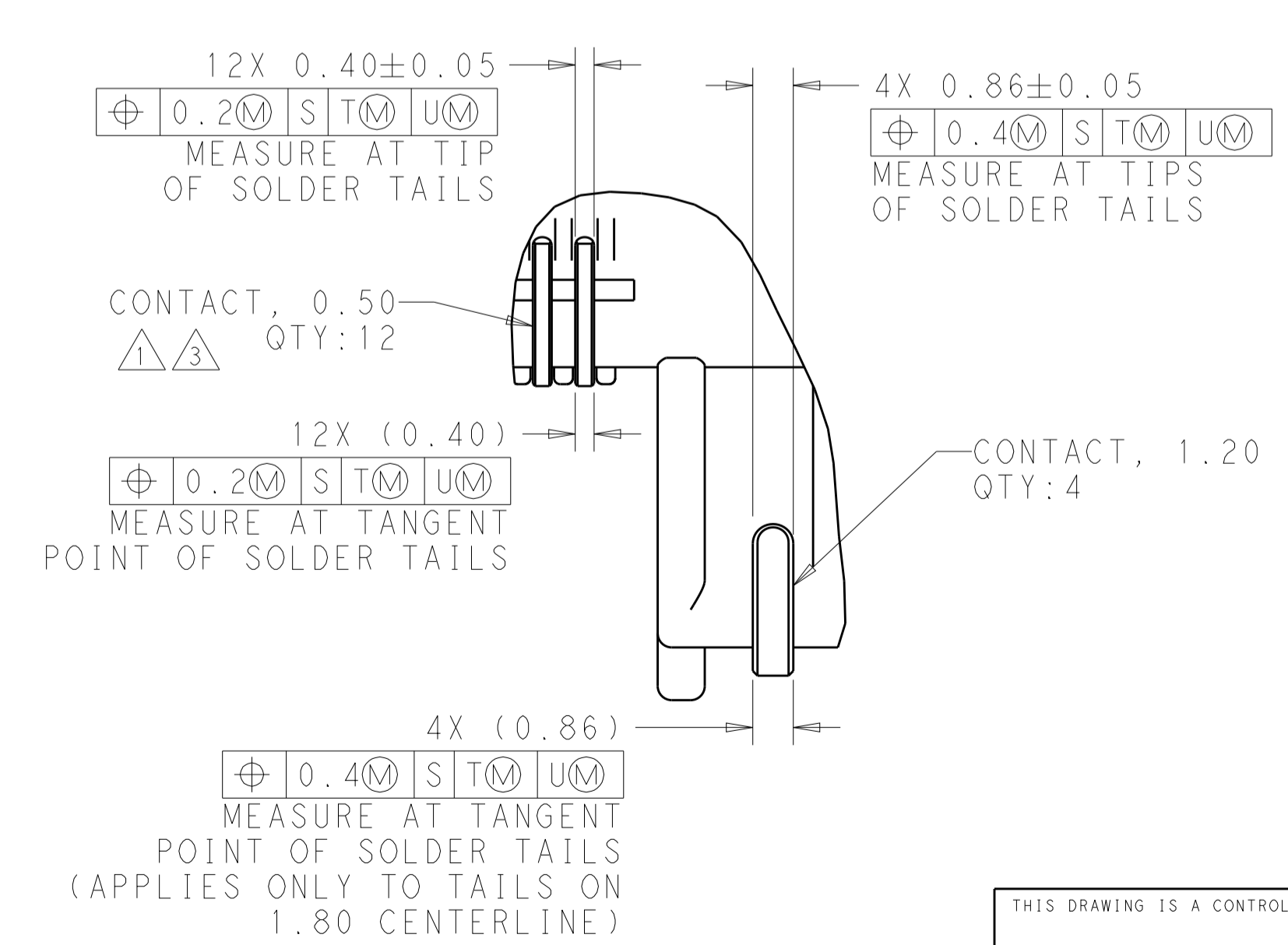
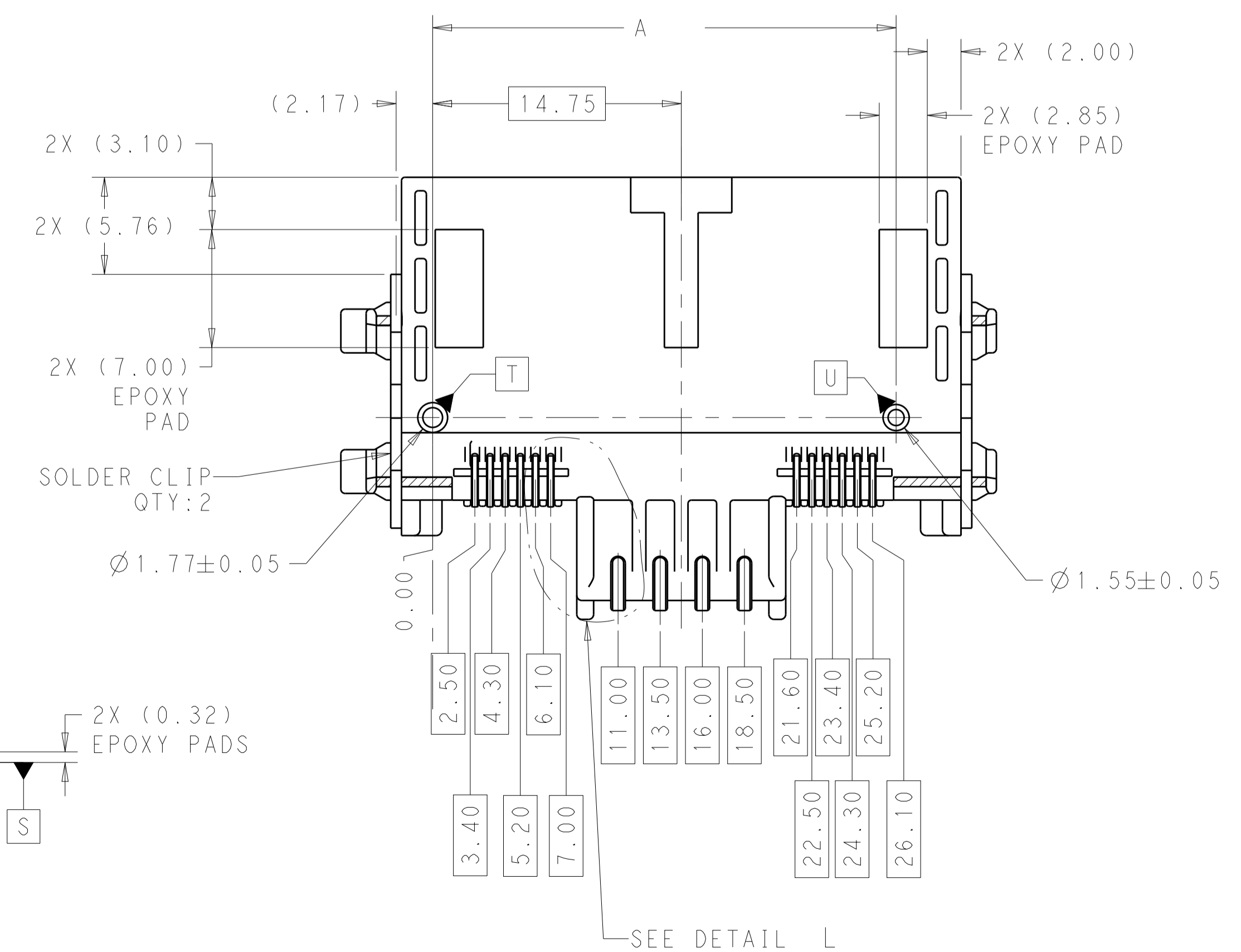
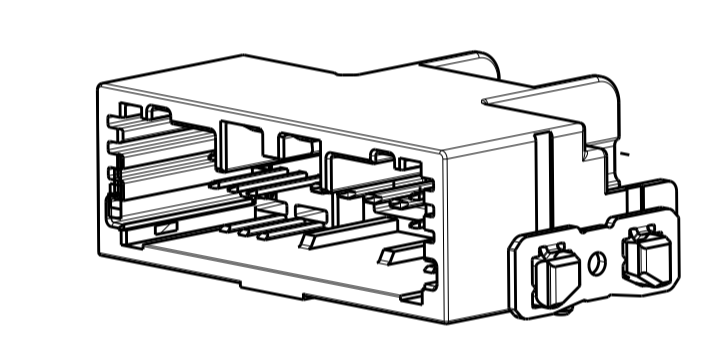
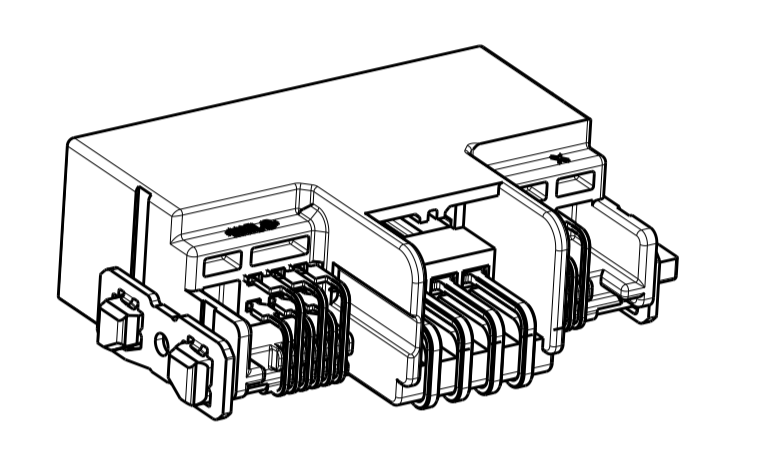
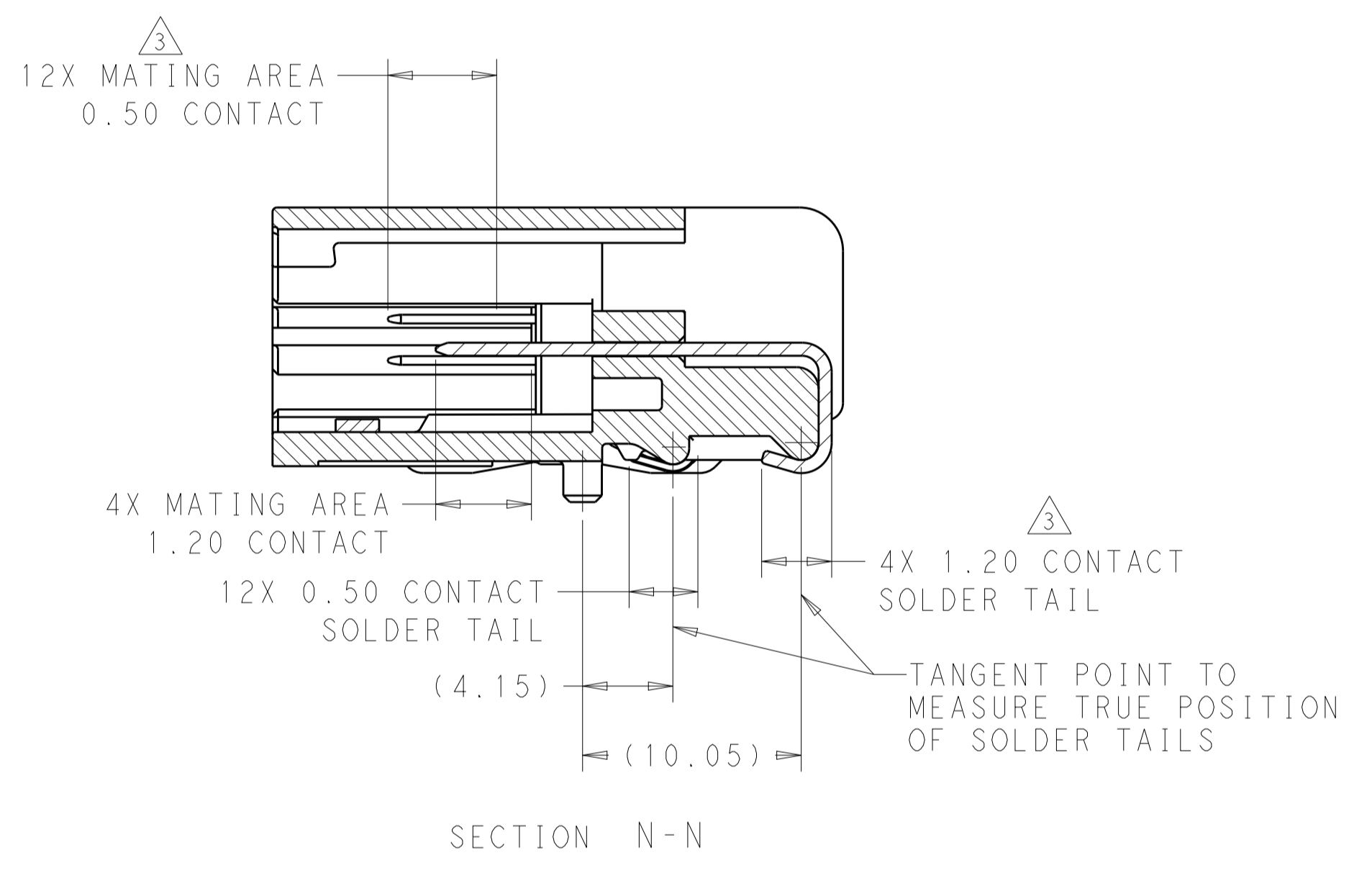
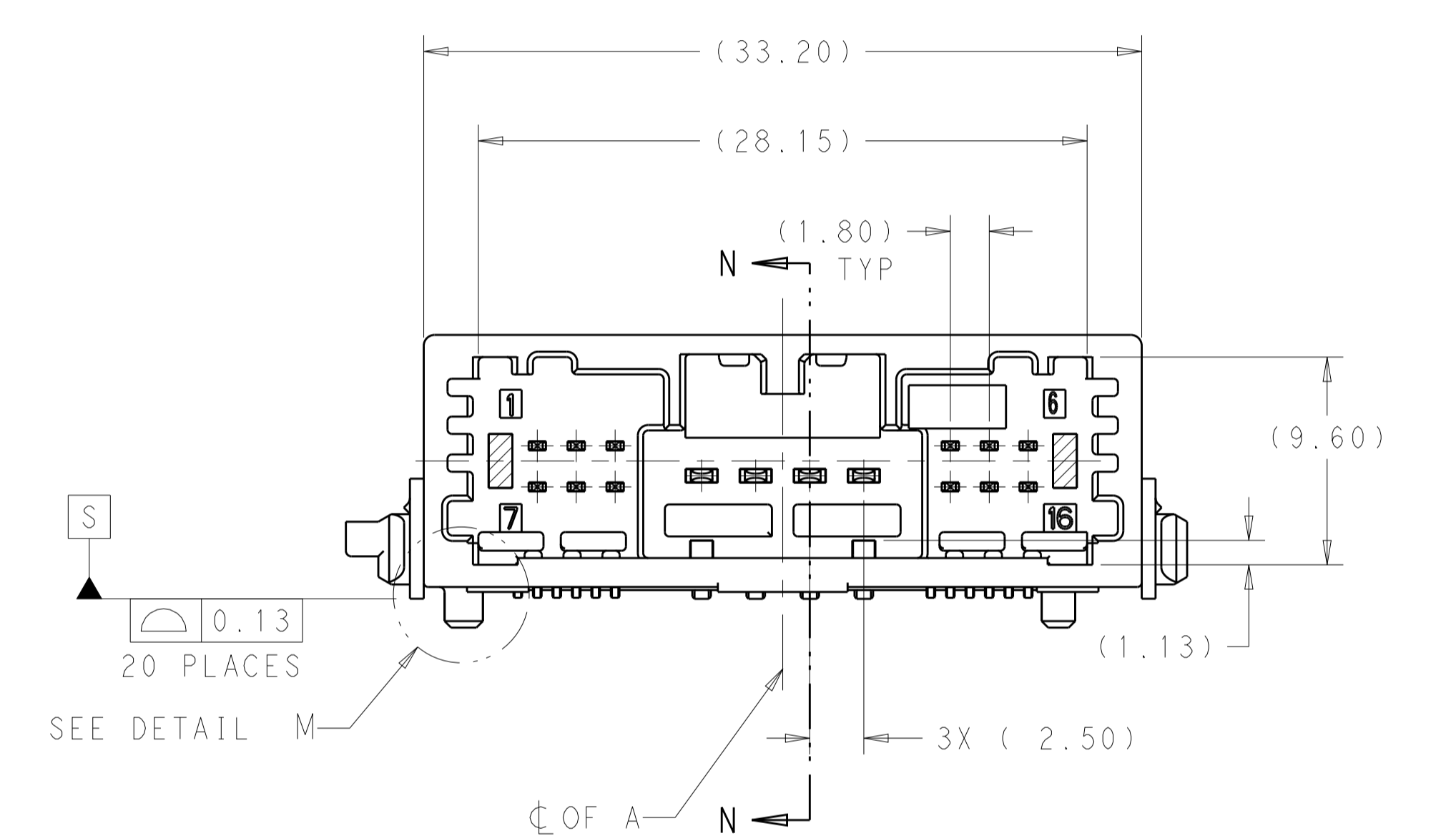
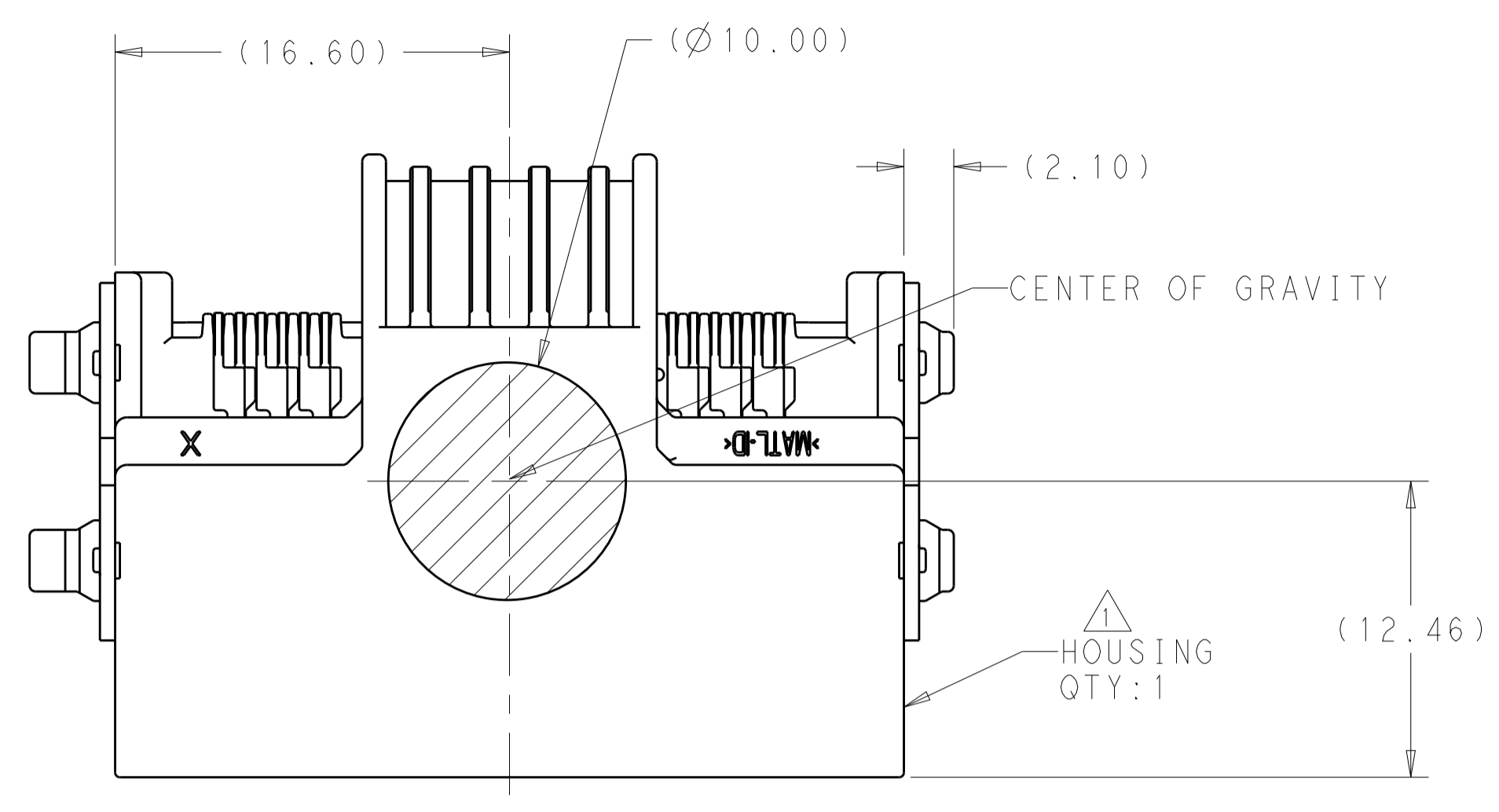


LOC	DIST	REVISIONS					
		P	LTN	DESCRIPTION	DATE	DWN	APVD
IN	00	D		RELEASED PER ECO-17-011497	08AUG2017	KP	DS
		D1		ECO-17-012573	25AUG2017	KP	DS
		D2		REV PER ECO-19-015720	29OCT2019	CJ	CJ

- NOTES:
- 1 HOUSING: PCT, COLOR - BLACK
 - CONTACTS: BRASS
 - SOLDER CLIP: BRASS
 - 2 SOLDER CLIP: 3.8µm MIN TIN OVER 1.27µm MIN NICKEL
 - 3 CONTACT: 0.8µm MIN TIN IN MATING AREA AND 3.0µm MIN TIN IN SOLDER TAIL ALL OVER 2.00µm MIN NICKEL
 - 4 DATUMS AND BASIC DIMENSIONS ESTABLISHED BY THE CUSTOMER
 - 5 ALLOW FOR OVER PRINTING ON PC BOARD
 - 6. RECOMMENDED SOLDER PASTE THICKNESS 0.15mm.
 - 7. MATES TO PLUG PN 2334712



26.50	26.50	KEY CODE D	2203881-4
24.50	24.50	KEY CODE C	2203881-3
25.50	25.50	KEY CODE B	2203881-2
27.50	27.50	KEY CODE A	2203881-1
B	A	KEY CODE	PART NUMBER

DIMENSIONS:		TOLERANCES UNLESS OTHERWISE SPECIFIED:	
mm	0 PLC	±	
	1 PLC	±	
	2 PLC	±	
	3 PLC	±	
	4 PLC	±	
	ANGLES	±	
MATERIAL:	FINISH:		

THIS DRAWING IS A CONTROLLED DOCUMENT.	DWN: H. MOLL 17SEP2013
CHK: D. FRY	
APVD: D. FRY	
PRODUCT SPEC:	NAME: HEADER ASSEMBLY, 16 POSN, 2 ROW, UNSEALED, (4) MCON, (12) GENERATION 50,
APPLICATION SPEC:	SIZE: CAGE CODE DRAWING NO: RESTRICTED TO
MATERIAL:	WEIGHT: A100779C=2203881
CUSTOMER DRAWING	SCALE: 4:1 SHEET 1 OF 2 REV: D2

