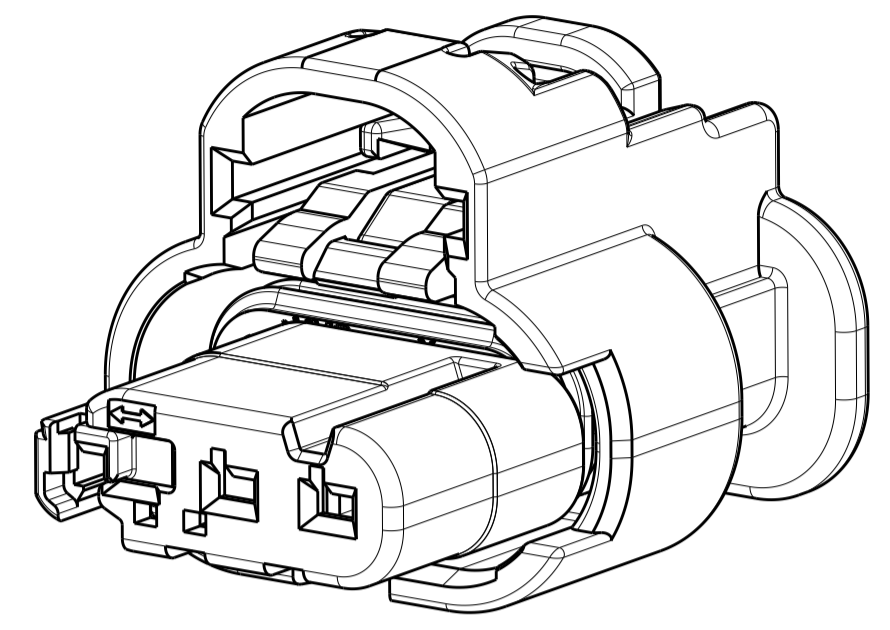
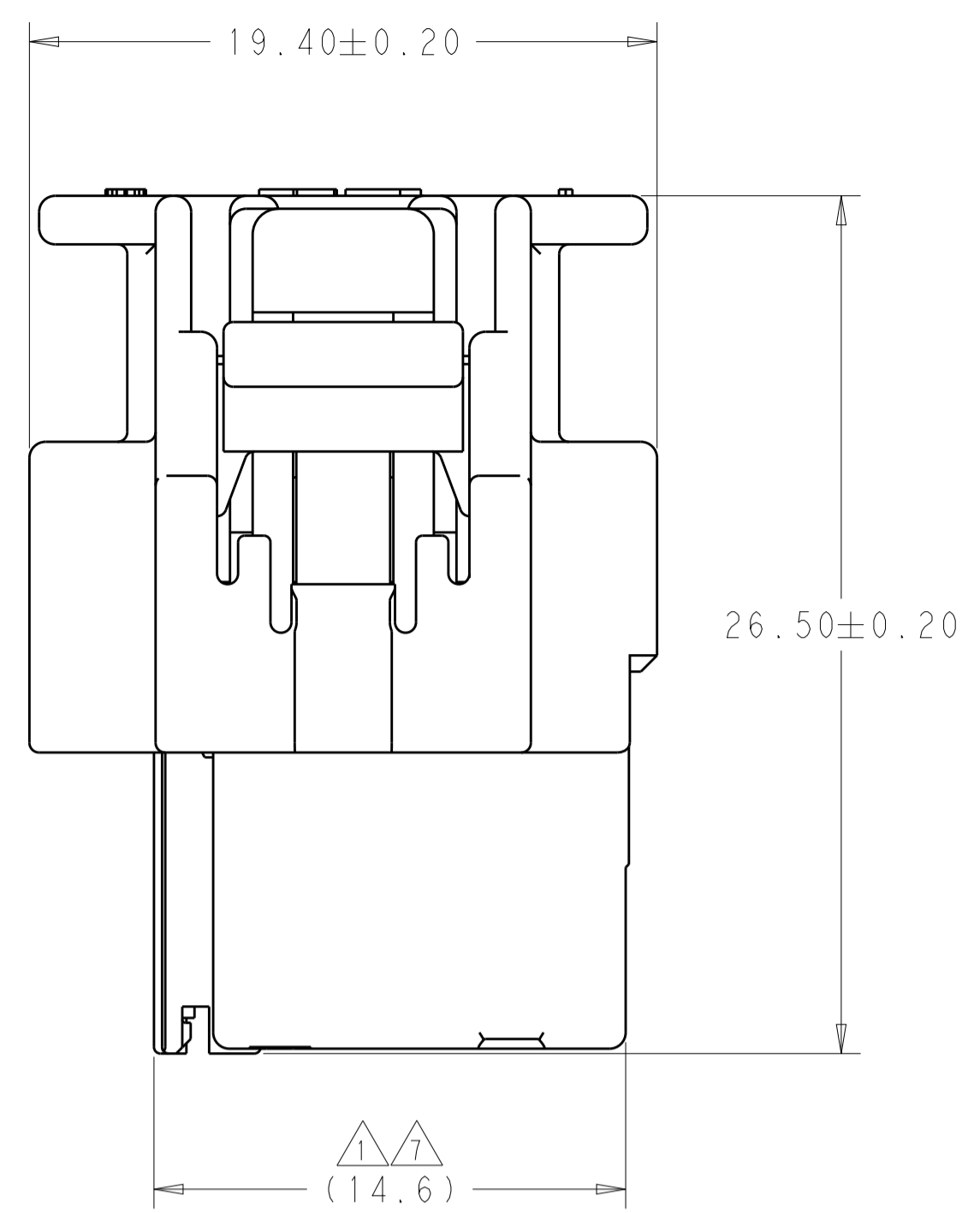
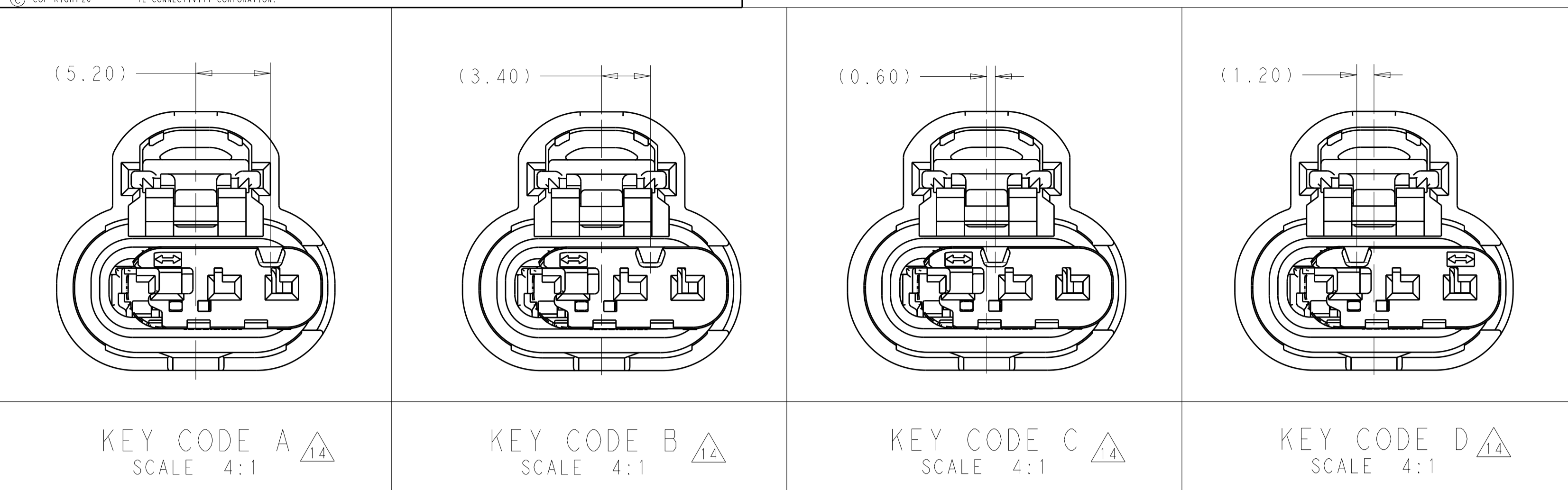
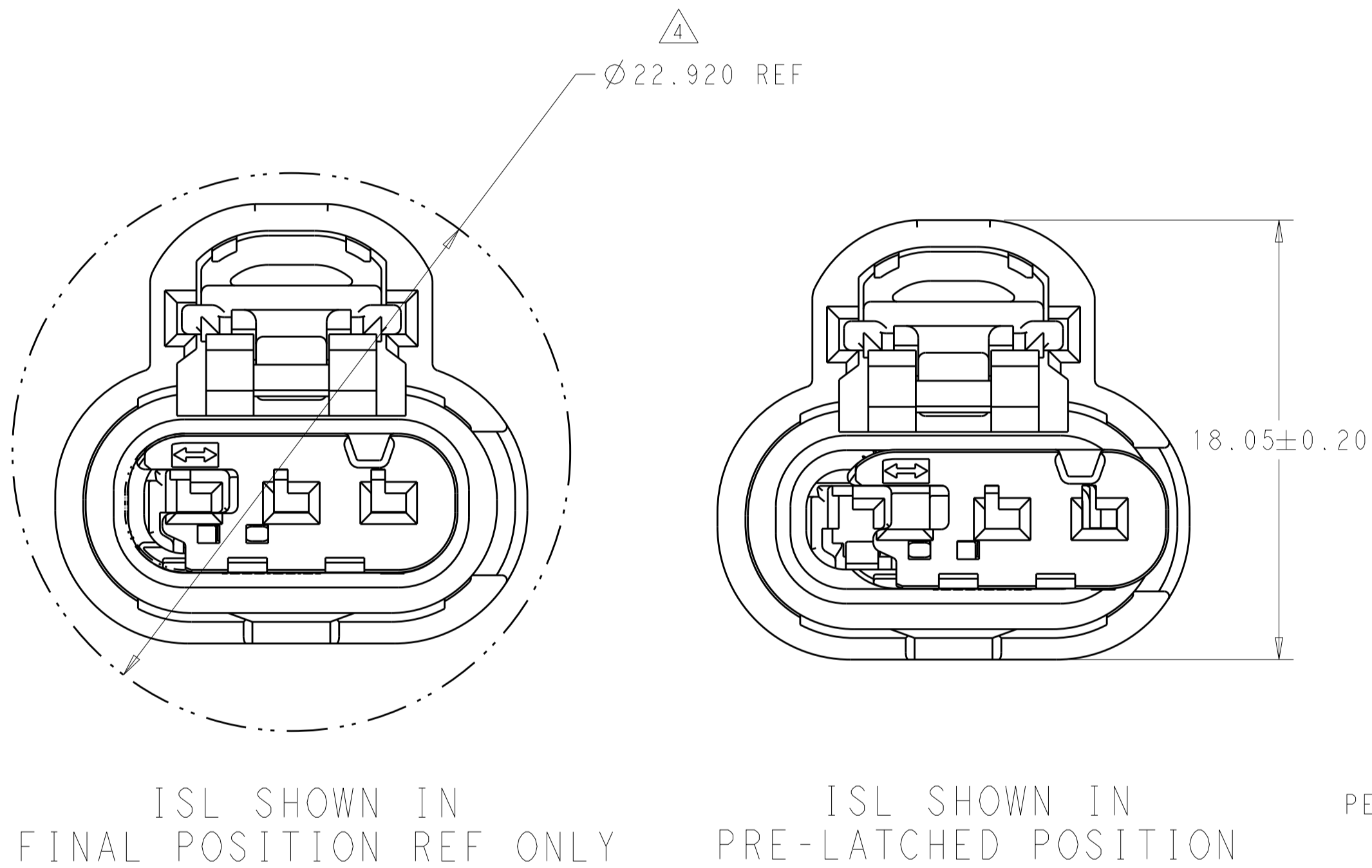


REVISIONS					
P.	LTN	DESCRIPTION	DATE	DMN	APVD
B		REVISED PER ECO-17-001086	25JAN2017	DD	JT
C		REVISED PER ECO-17-003504	14MAR2017	DLD	JLT



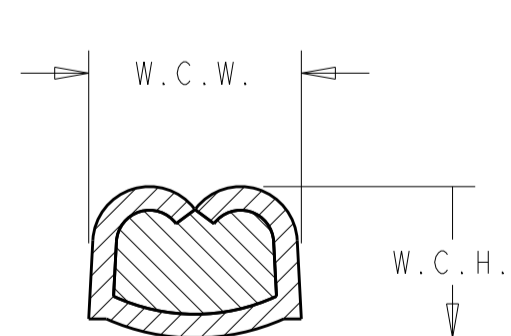
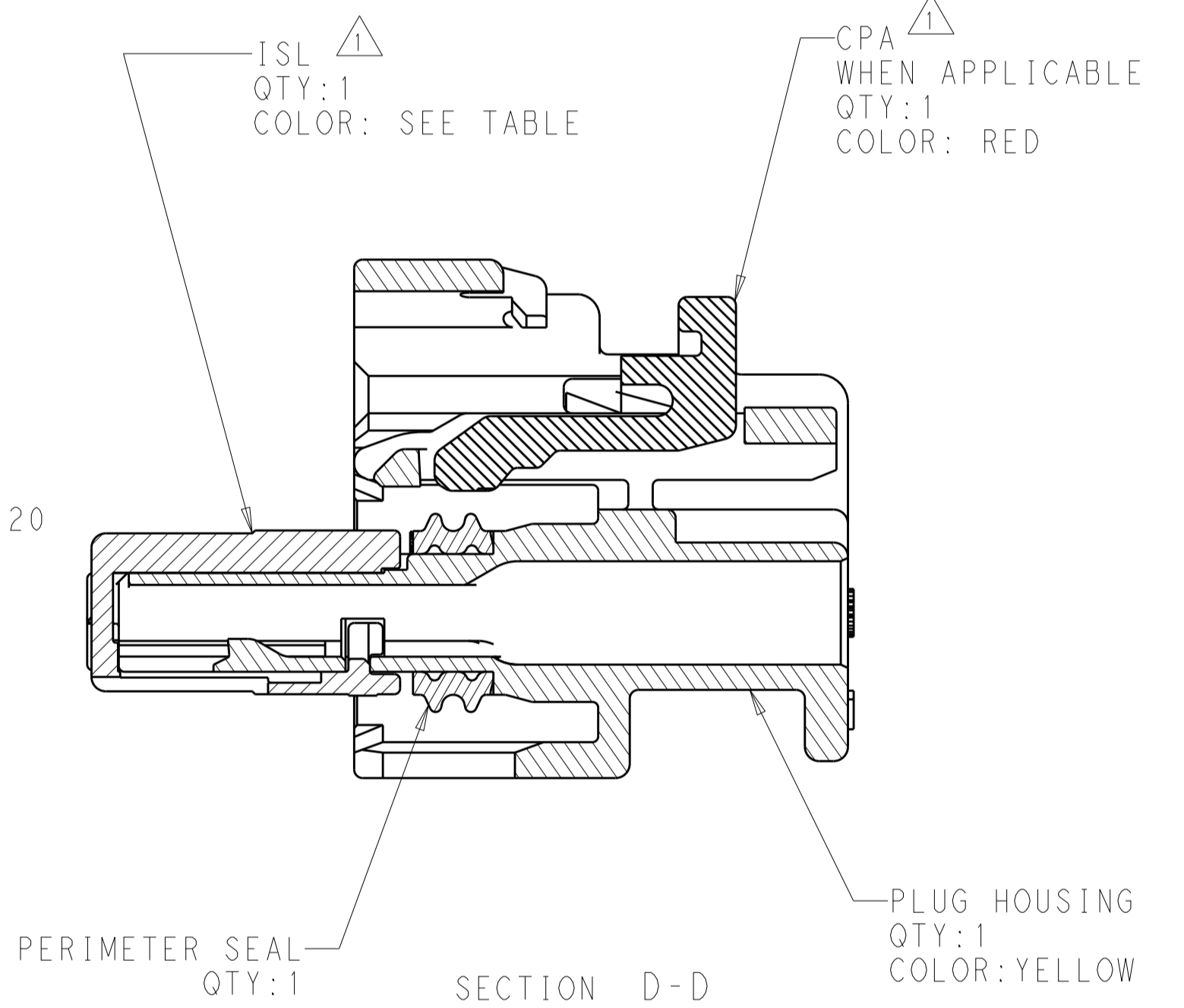
ISOMETRIC VIEW  
SCALE 4:1

- △ TPA AND CPA (OPTIONAL) ARE SHIPPED IN THEIR PRE-LATCHED POSITIONS
- 2. TERMINALS SOLD SEPARATELY. FOR USE WITH TE MCON 1.2mm CLEAN BODY CONTACT AND WIRE SEAL, SEE TABLE
- 3. APPLICABLE INTERFACE DRAWINGS : EWCAP 120-S-003-1-Z01 AND 120-2-003-1-Z02
- △ MINIMUM FEED-THROUGH CONDITION WITH 1.0mm CLEARANCE ALL AROUND
- 5. TRACEABILITY CODE (YY = TWO DIGIT YEAR, JJJ = 3 DIGIT JULIAN DAY, S = 1 DIGIT SHIFT).
- 6. FOR OPTIONAL TERMINAL CAVITY BLOCKING, CONTACT TE SALES REPRESENTATIVE OR CUSTOMER SERVICE
- △ SEE INSTRUCTION SHEET 408-32103 FOR CONNECTOR SERVICE AND ISL OPERATION, ISL ACTUATION DISTANCE IS 2.0mm
- 8. PRIMARY LOCK TERMINAL RETENTION FORCE 25N MINIMUM.
- △ CONTACT PLATING AND APPLICABLE INDIVIDUAL WIRE SEAL ARE APPLICATION DEPENDENT, CONTACT TE SALES REPRESENTATIVE OR CUSTOMER SERVICE FOR DETAILS
- △ FOR WIRE CRIMP DETAILS, SEE TE APPLICATION SPECIFICATION 114-18464.
- △ DOCUMENTED I.C.D. IS SPECIFIED TO MEET MOST WIRE SEAL APPLICATIONS. HOWEVER, I.C.D. IS HIGHLY DEPENDENT ON INSULATION TYPE AND O.D. SUFFICIENT GRIP OF THE WIRE SEAL MUST BE OBTAINED SUCH THAT WIRE SEAL DOES NOT DISPLACE FROM INSULATION GRIP DURING CONTACT INSERTION INTO CONNECTOR HOUSING. THE WIRE SEAL SHALL NOT BE CRIMPED TOO TIGHTLY THAT THE WIRE SEAL TEARS DURING THE CRIMPING OPERATION.
- 12. NOTE REMOVED
- △ NOTE REMOVED
- △ KEY CODE DIMENSIONS ARE SHOWN WITH ISL IN PRE-LATCHED POSITION. FOR DIMENSION OF KEY WITH ISL IN FINAL POSITION, ADJUST SHOWN DIMENSIONS BY 2.0mm.
- 15. MATES WITH STRAIGHT EXIT WIRE DRESS, TE PN 2272164-1 AND RIGHT ANGLE EXIT WIRE DRESS, TE PN 2272165-1

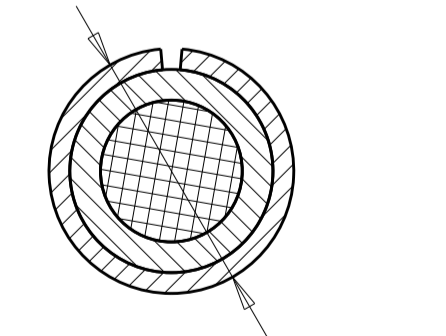


ISL SHOWN IN FINAL POSITION REF ONLY

ISL SHOWN IN PRE-LATCHED POSITION



WIRE CRIMP DIMENSIONS



INSULATION CRIMP DIMENSIONS

BLACK	D	2203806-4
DK GRAY	C	2203806-3
LT GRAY	B	2203806-2
BLACK	A	2203806-1
ISL COLOR	KEY CONFIGURATION	PART NUMBER

125°C	1418844	1.40 - 1.90mm	△10	△10	△10 △11	967067-1
	1670146	1.40 - 1.90mm				967067-1
	1418850	1.90 - 2.40mm				964972-1
MAX TEMP △	FEMALE TERMINAL P/N	APPLICABLE WIRE FINISHED O.D.	W.C.H	W.C.W	I.C.D	WIRE SEAL PART NUMBER △

THIS DRAWING IS A CONTROLLED DOCUMENT.

DMN: M. HARISH, 25MAY2011  
 CHK: B. BUCHTER, 25MAY2011  
 APVD: B. BUCHTER, 25MAY2011

**STE** TE Connectivity

NAME: PLUG ASSEMBLY, FEMALE, SEALED, 3 POSITION, MCON SIR

SIZE: A1, CAGE CODE: 2203806, DRAWING NO: 2203806

SCALE: 5:1, SHEET: 1 OF 1, REV: C