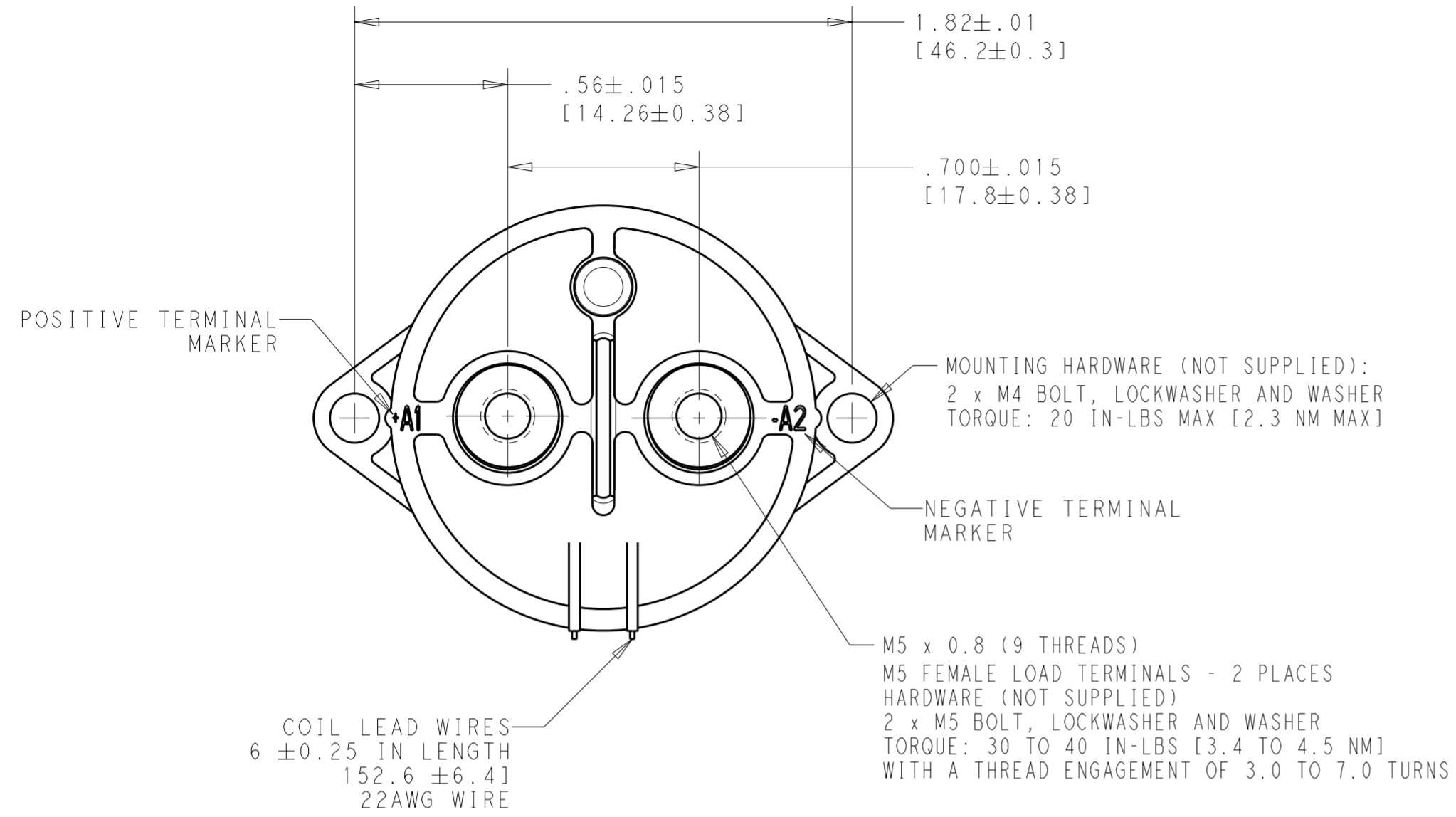
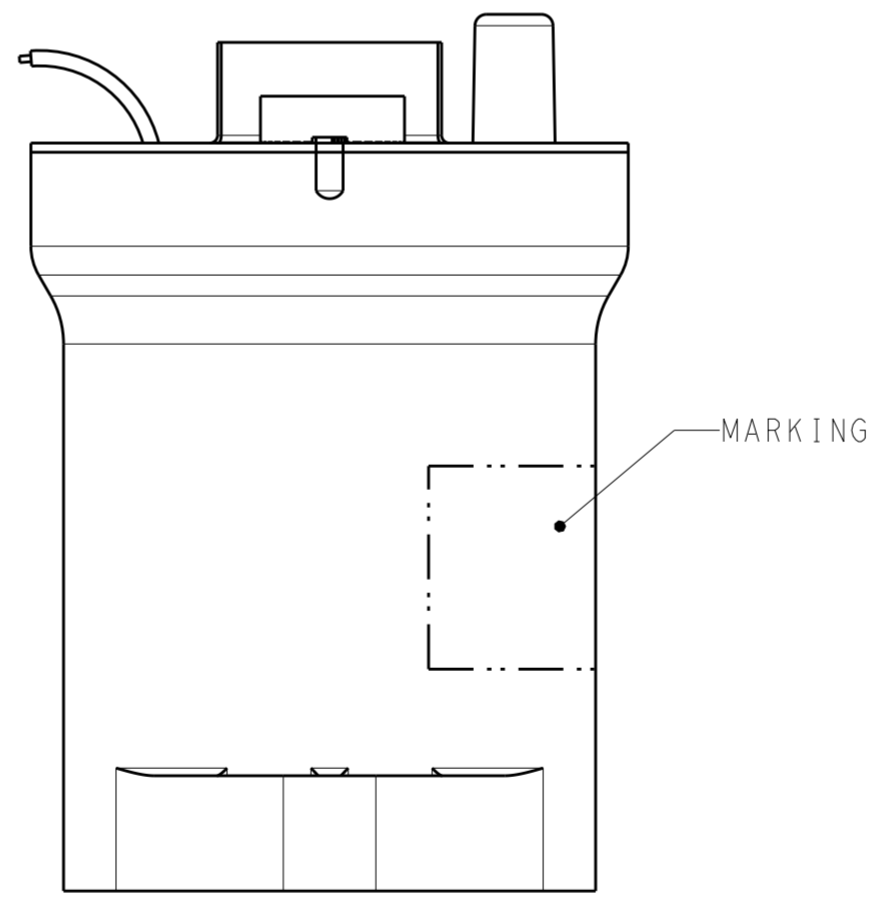
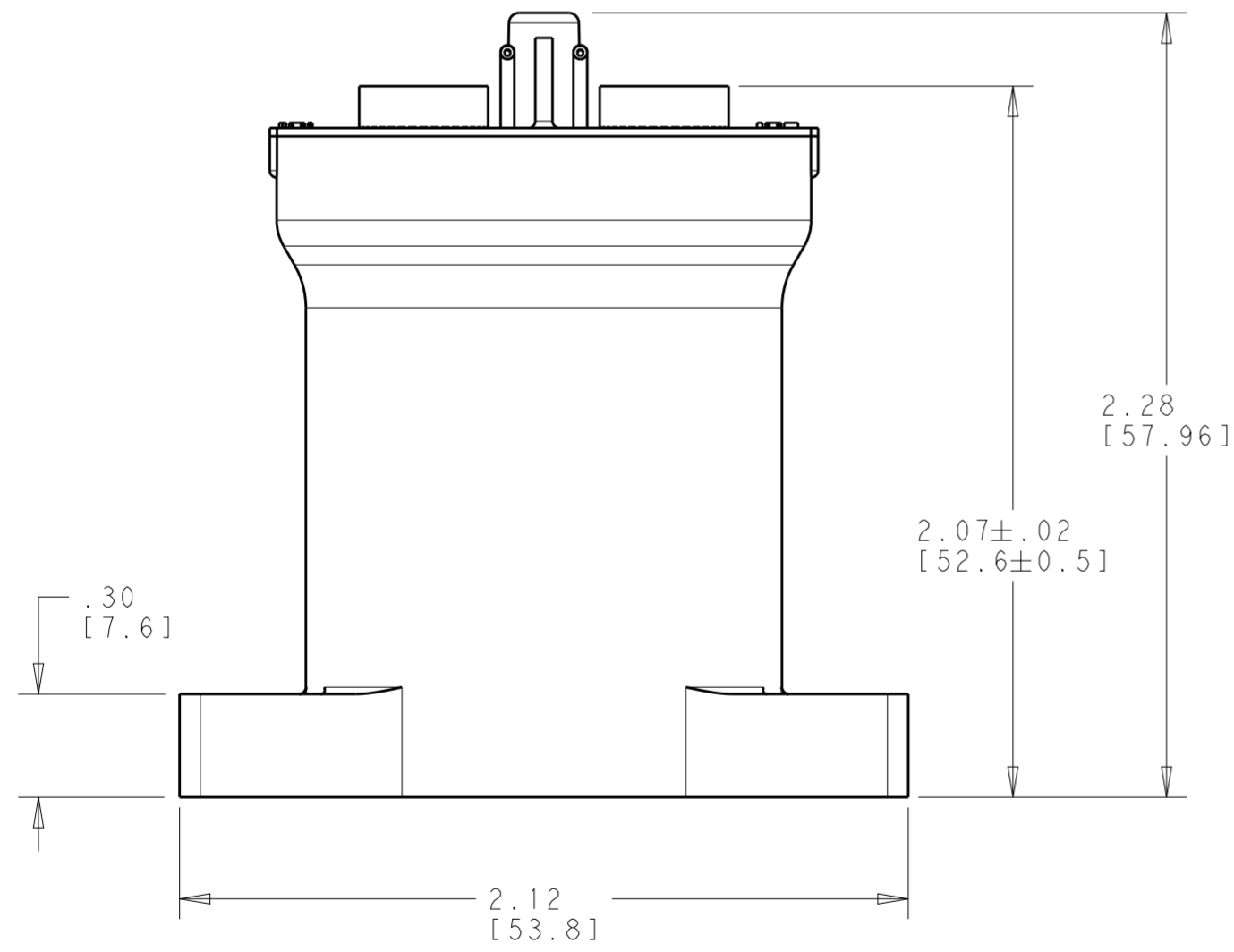


THIS DRAWING IS UNPUBLISHED. RELEASED FOR PUBLICATION 20
 © COPYRIGHT 20 BY - ALL RIGHTS RESERVED.

LOC	DIST	REVISIONS					
FX	00	P	LTR	DESCRIPTION	DATE	DWN	APVD
		A		RELEASED PER ECO-12-009422	16MAY2012	DD	TB
		A1		REVISED PER ECO-12-012319	03JUL2012	DD	TB
		B		REVISED PER ECO-13-010454	28JUN2013	DD	TB



- 8.4mm² conductor. Current rating depends upon conductor size. Keep terminals below 150°C maximum continuous.
- 3 minutes @ +40°C ambient with 8.4mm² (#8AWG) conductor.
- A coil economizer circuit is needed if coil is energized for an extended length of time at a high operating temperature (i.e. 85°C).



2203194-1
 TE
 PART NUMBER

THIS DRAWING IS A CONTROLLED DOCUMENT.		DWN D. DRUMMOND 16MAY2012	TE Connectivity EVC135 RELAY, WITH 6 INCH LONG WIRE 15.3 OHM COIL			
DIMENSIONS: INCHES [mm]		CHK T. BLACKMON 16MAY2012				
		APVD T. BLACKMON 16MAY2012				
TOLERANCES UNLESS OTHERWISE SPECIFIED: 0 PLC ± 1 PLC ±0.1 2 PLC ±0.01 3 PLC ± 4 PLC ± ANGLES ±1° FINISH		PRODUCT SPEC - APPLICATION SPEC - WEIGHT -				
MATERIAL	-	CUSTOMER DRAWING	SIZE A200779	CAGE CODE C-2203194	DRAWING NO -	RESTRICTED TO -
SCALE 2:1			SHEET 1 OF 1	REV B		