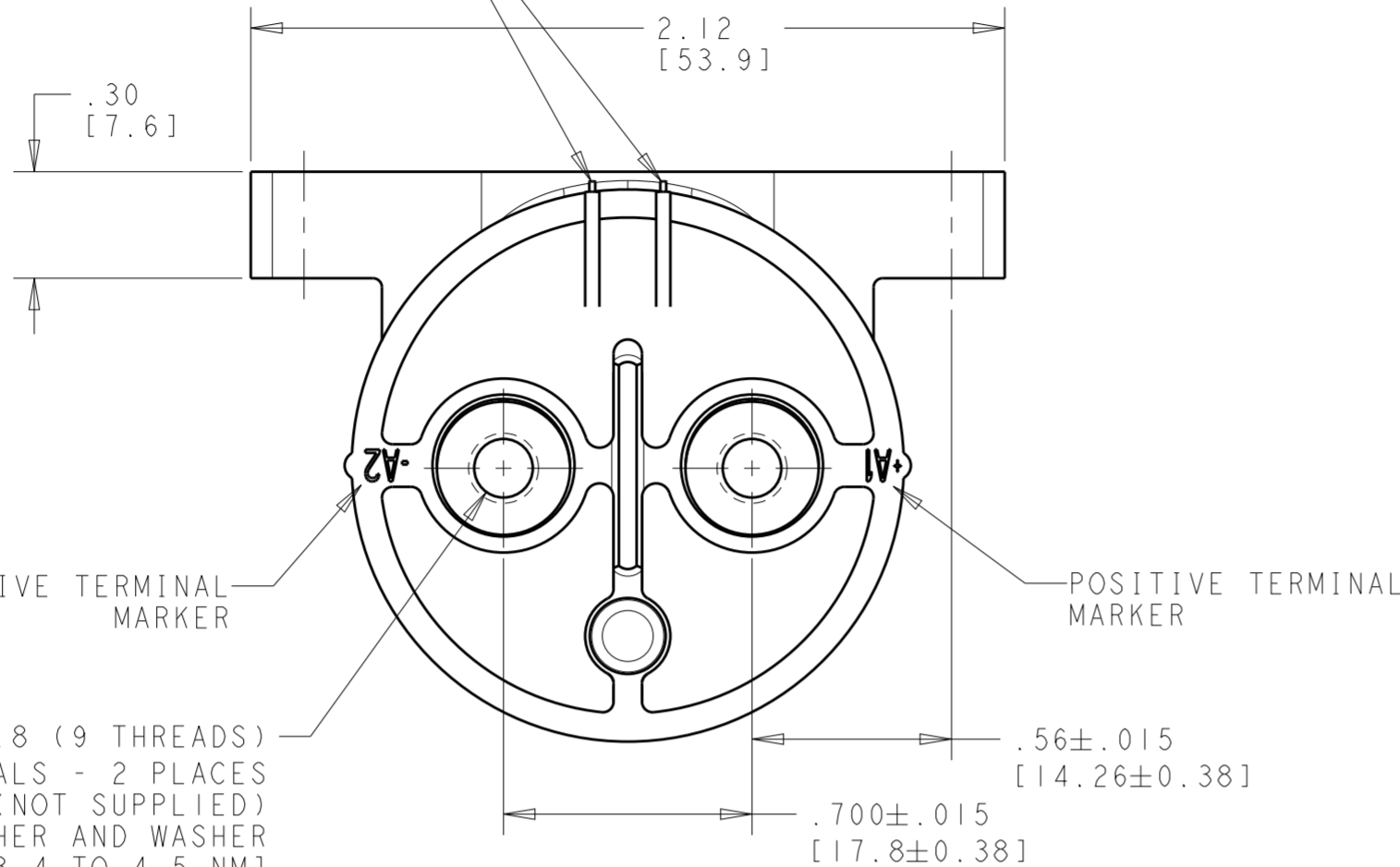


THIS DRAWING IS UNPUBLISHED. RELEASED FOR PUBLICATION 20
 © COPYRIGHT 20 BY - ALL RIGHTS RESERVED.

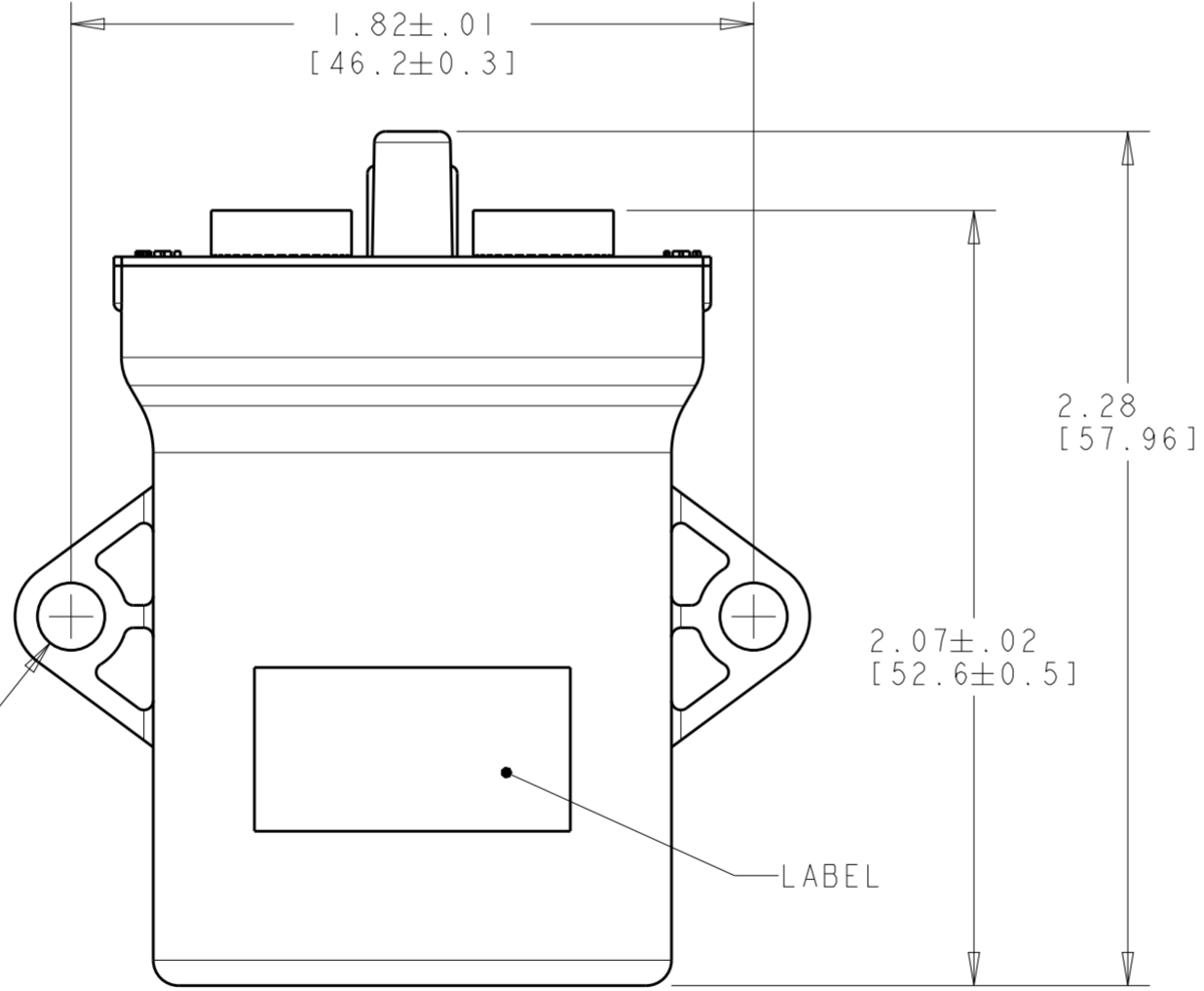
LOC	DIST	REVISIONS			
P	LTR	DESCRIPTION	DATE	DWN	APVD
FX	00	A	INITIAL RELEASE	12MAR2012	DD TB
		AI	REVISED PER ECO-13-007247	26APR2013	DD TB
		B	REVISED PER ECO-13-010454	28JUN2013	DD TB

COIL LEAD WIRES
 6 ±0.25 IN LENGTH
 [152 ±6.4]
 22AWG WIRE



M5 x 0.8 (9 THREADS)
 M5 FEMALE LOAD TERMINALS - 2 PLACES
 HARDWARE (NOT SUPPLIED)
 2 x M5 BOLT, LOCKWASHER AND WASHER
 TORQUE: 30 TO 40 IN-LBS [3.4 TO 4.5 NM]
 WITH A THREAD ENGAGEMENT OF 3.0 TO 7.0 TURNS

- 8.4mm² conductor. Current rating depends upon conductor size. Keep terminals below 150°C maximum continuous.
- 3 minutes @ +40°C ambient with 8.4mm² (#8AWG) conductor.
- A coil economizer circuit is needed if coil is energized for an extended length of time at a high operating temperature (i.e. 85°C).



MOUNTING HARDWARE (NOT SUPPLIED):
 2 x M4 BOLT, LOCKWASHER AND WASHER
 TORQUE: 20 IN-LBS MAX [2.3 NM MAX]

15±.25 [381±6.4]	2203012-2
6±.25 [152±6.4]	2203012-1
COIL WIRE LENGTH	PART NUMBER

THIS DRAWING IS A CONTROLLED DOCUMENT. DIMENSIONING AND TOLERANCING PER GPS (ISO STANDARDS)		DWN D. DRUMMOND 12MAR2012
DIMENSIONS: INCHES [mm]		CHK T. BLACKMON 12MAR2012
TOLERANCES UNLESS OTHERWISE SPECIFIED:		APVD T. BLACKMON 12MAR2012
0 PLC ±-	±-	PRODUCT SPEC
1 PLC ±0.1	±0.1	-
2 PLC ±0.01	±0.01	APPLICATION SPEC
3 PLC ±-	±-	-
4 PLC ±-	±-	WEIGHT
ANGLES ±1°	±1°	-
FINISH	-	Customer Drawing

STE TE Connectivity	
NAME EVC135 RELAY, SIDE MOUNT (26 OHM COIL)	
SIZE	RESTRICTED TO
A200779	-
CAGE CODE	SCALE
G-2203012	2:1
DRAWING NO	SHEET
-	1 OF 1
REV	B