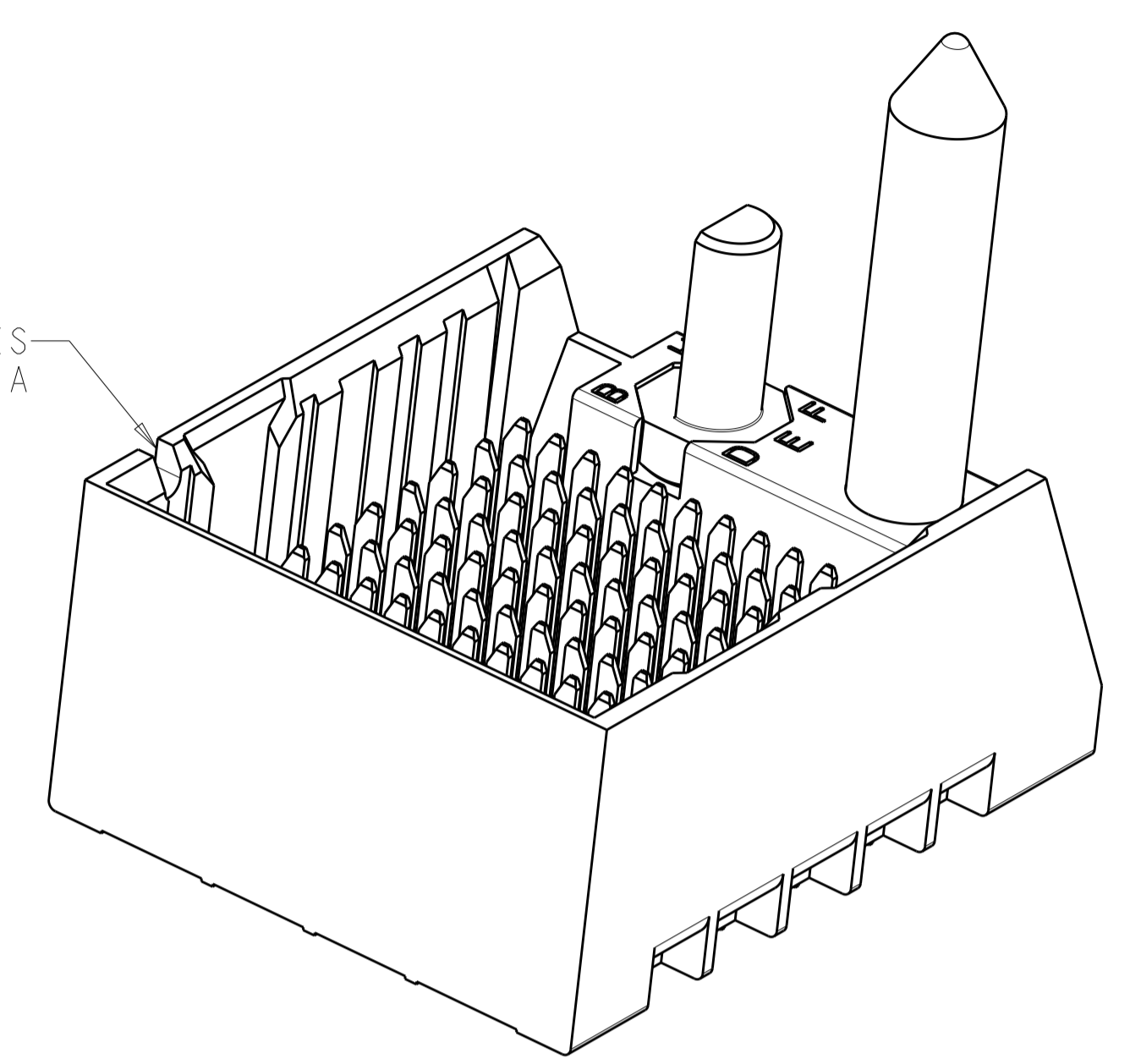
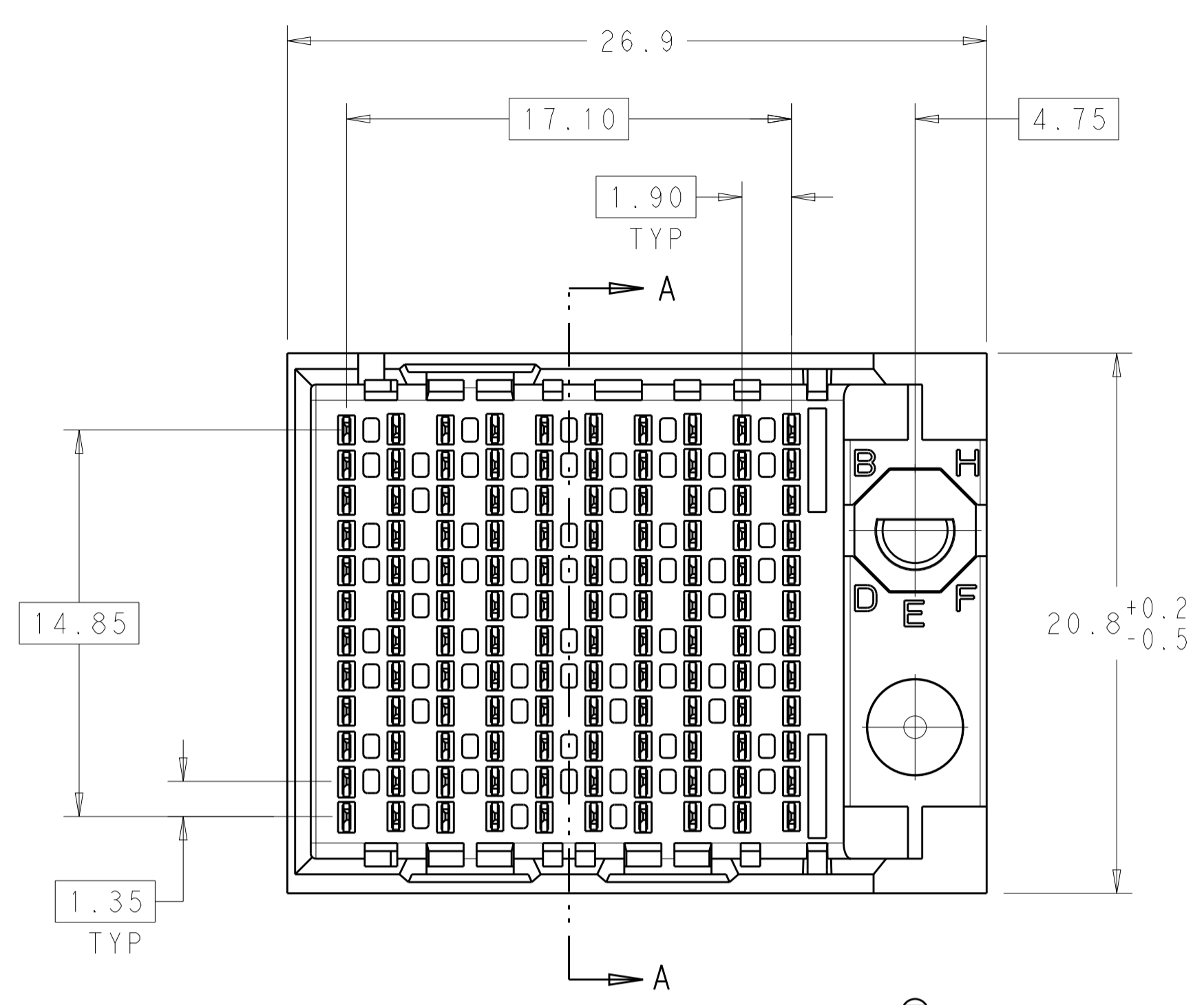
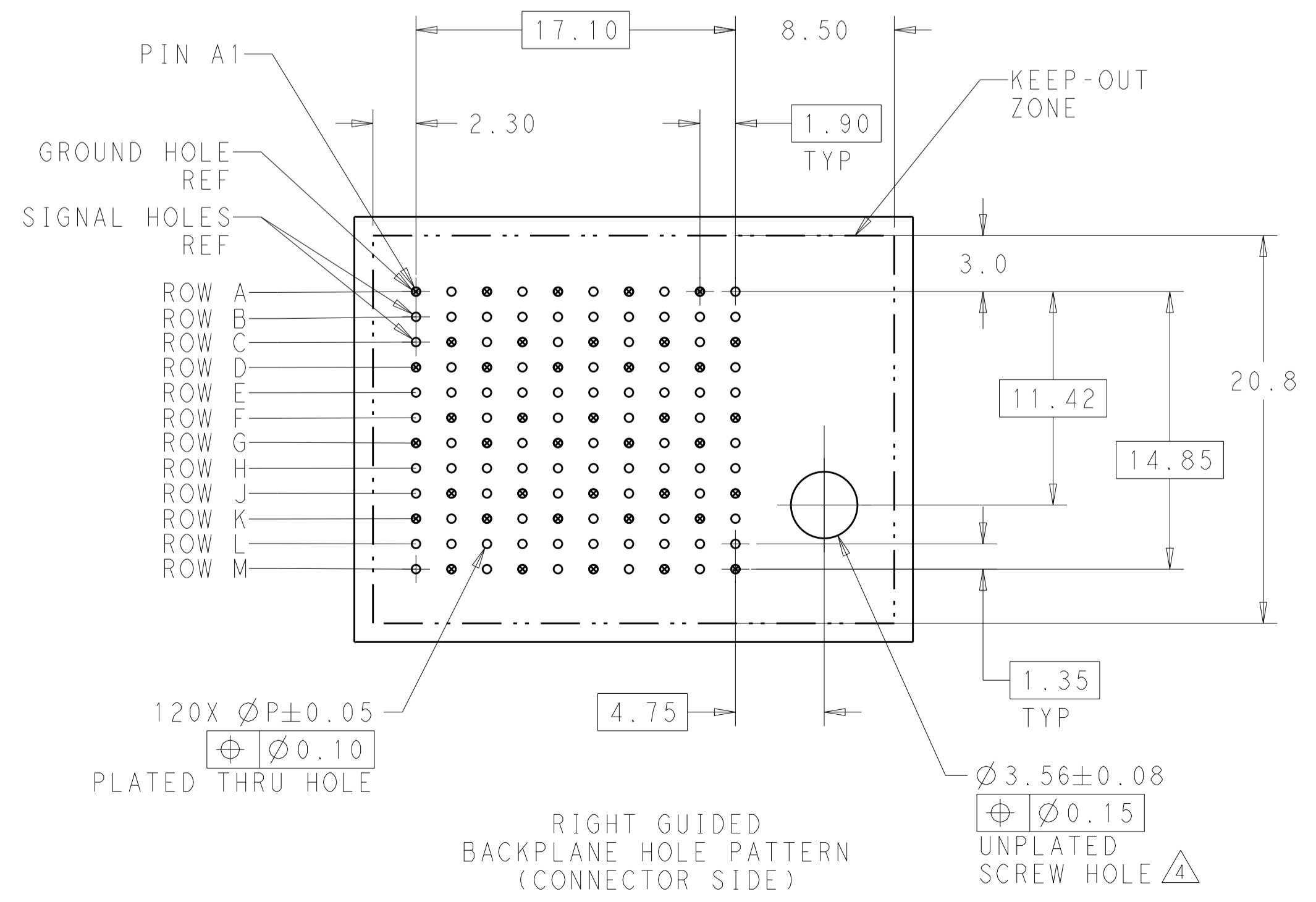
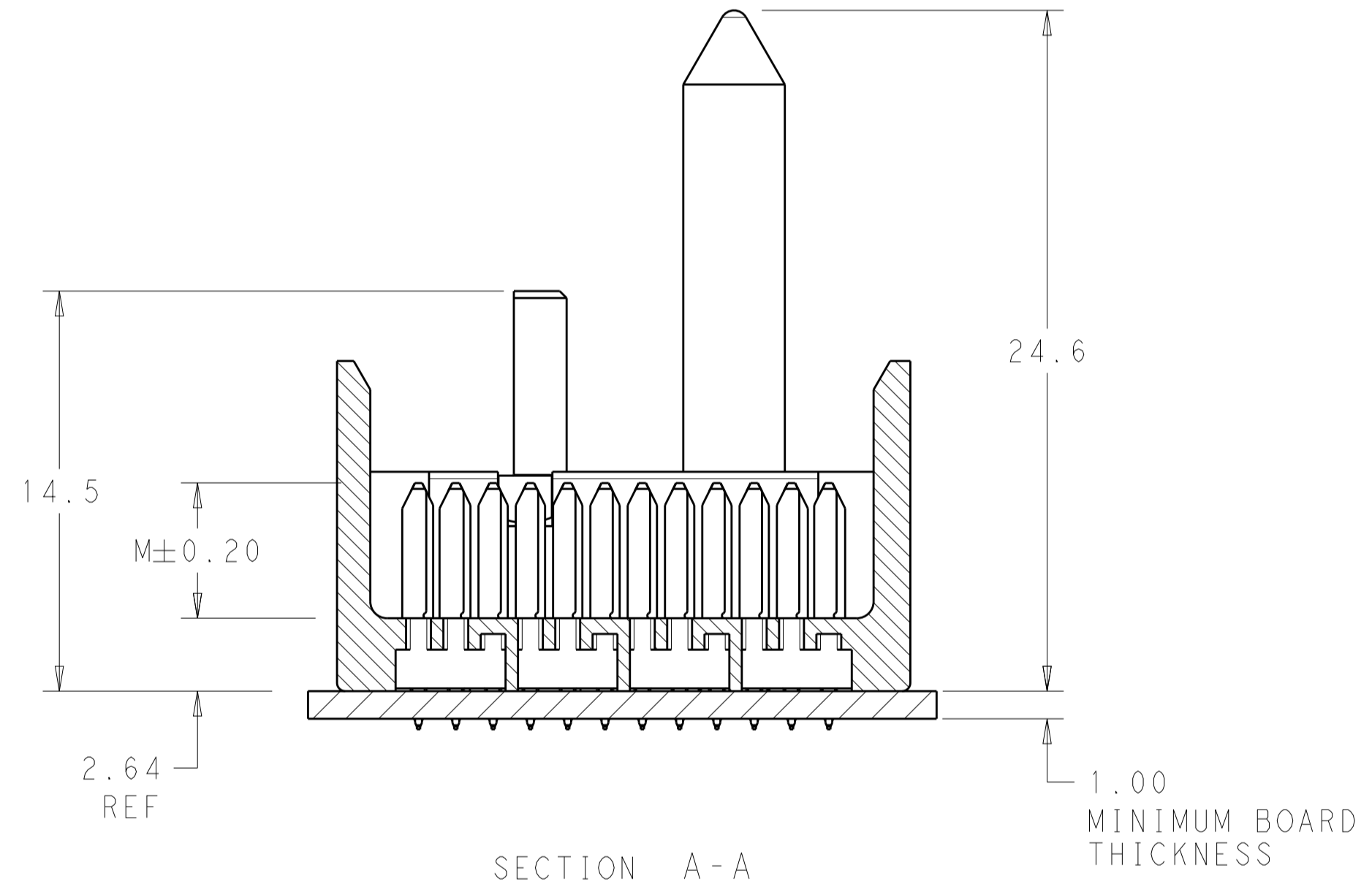
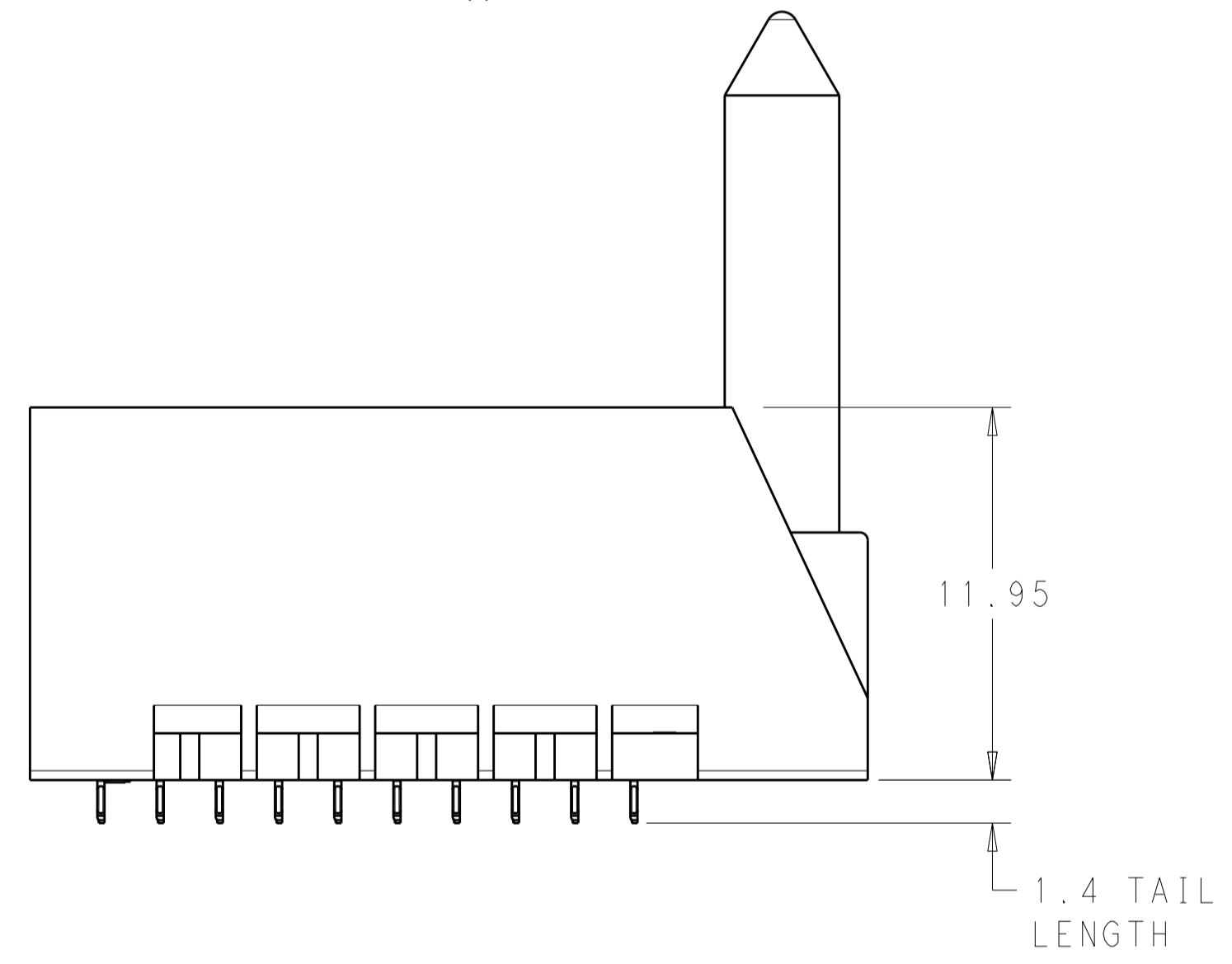


LOC		DIST		REVISIONS			
P	LTR	DESCRIPTION	DATE	DWN	APVD		
A		REVISED PER ECO-15-003242	24MAR2015	AP	DD		



NOTCH DESIGNATES ROW A

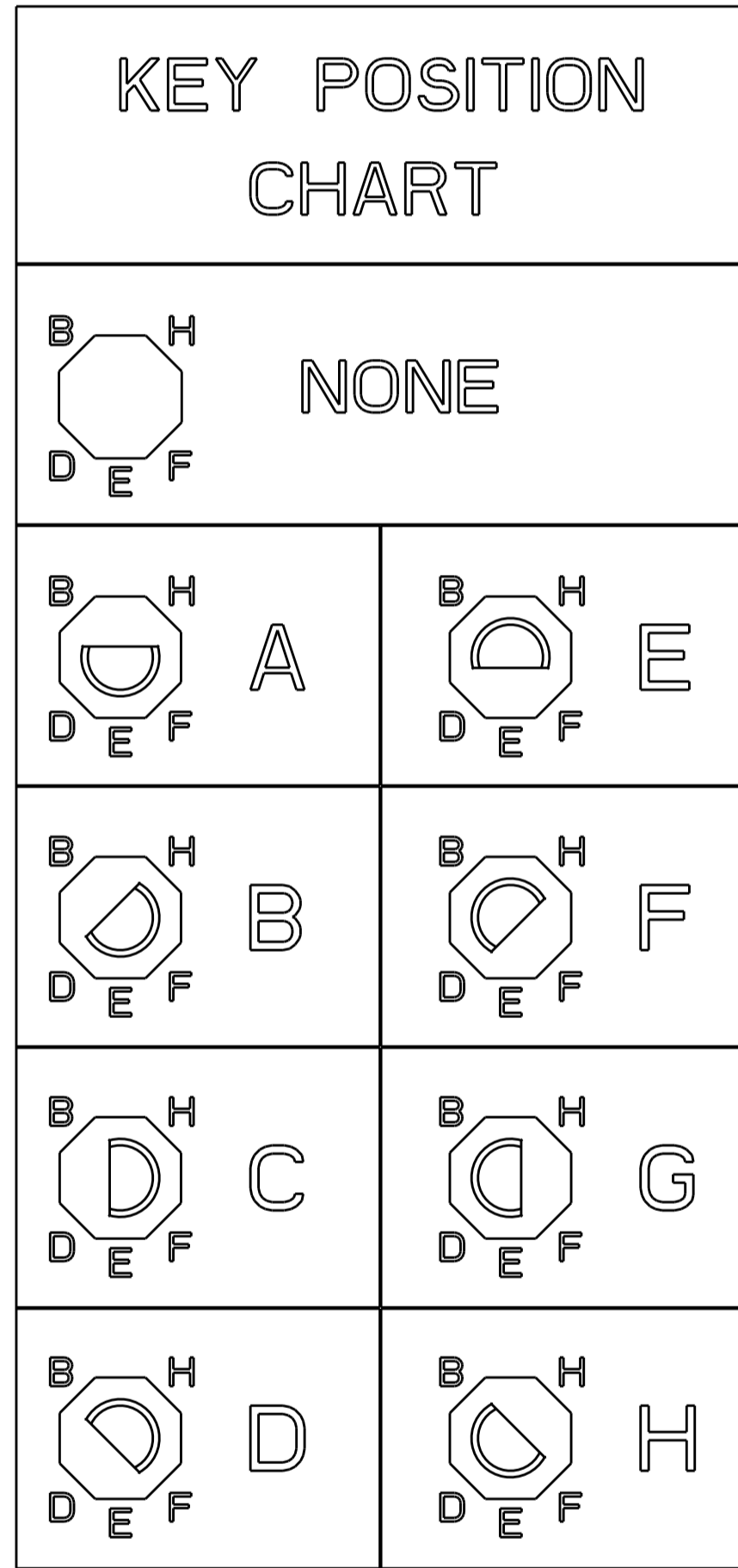


THIS DRAWING IS A CONTROLLED DOCUMENT.		DWN S. WELDON 27JUL2012	TE Connectivity
DIMENSIONS: mm		CHK D. DIXON 27JUL2012	
TOLERANCES UNLESS OTHERWISE SPECIFIED:		APVD D. DIXON 27JUL2012	NAME IMPACT 85 OHM, STANDARD, 4 PAIR PLUS, 10 COLUMN HEADER; RIGHT GUIDED, LEFT ENDWALL, SIGNAL MODULE
		PRODUCT SPEC	SIZE CAGE CODE DRAWING NO RESTRICTED TO
MATERIAL		APPLICATION SPEC	A100779C=2198063
FINISH SEE TABLE		WEIGHT	SCALE 5:1 SHEET 1 OF 2 REV A
		Customer Drawing	

LOC		DIST		REVISIONS			
P	LTN	DESCRIPTION	DATE	DMN	APVD		
-	-	SEE SHEET 1	-	-	-		

H	0.46	5.5	8-2198063-6
H	0.46	4.9	8-2198063-5
H	0.46	4.5	8-2198063-4
H	0.39	5.5	8-2198063-3
H	0.39	4.9	8-2198063-2
H	0.39	4.5	8-2198063-1
G	0.46	5.5	7-2198063-6
G	0.46	4.9	7-2198063-5
G	0.46	4.5	7-2198063-4
G	0.39	5.5	7-2198063-3
G	0.39	4.9	7-2198063-2
G	0.39	4.5	7-2198063-1
F	0.46	5.5	6-2198063-6
F	0.46	4.9	6-2198063-5
F	0.46	4.5	6-2198063-4
F	0.39	5.5	6-2198063-3
F	0.39	4.9	6-2198063-2
F	0.39	4.5	6-2198063-1
E	0.46	5.5	5-2198063-6
E	0.46	4.9	5-2198063-5
E	0.46	4.5	5-2198063-4
E	0.39	5.5	5-2198063-3
E	0.39	4.9	5-2198063-2
E	0.39	4.5	5-2198063-1
D	0.46	5.5	4-2198063-6
D	0.46	4.9	4-2198063-5
D	0.46	4.5	4-2198063-4
D	0.39	5.5	4-2198063-3
D	0.39	4.9	4-2198063-2
D	0.39	4.5	4-2198063-1
C	0.46	5.5	3-2198063-6
C	0.46	4.9	3-2198063-5
C	0.46	4.5	3-2198063-4
C	0.39	5.5	3-2198063-3
C	0.39	4.9	3-2198063-2
C	0.39	4.5	3-2198063-1
B	0.46	5.5	2-2198063-6
B	0.46	4.9	2-2198063-5
B	0.46	4.5	2-2198063-4
B	0.39	5.5	2-2198063-3
B	0.39	4.9	2-2198063-2
B	0.39	4.5	2-2198063-1
A	0.46	5.5	1-2198063-6
A	0.46	4.9	1-2198063-5
A	0.46	4.5	1-2198063-4
A	0.39	5.5	1-2198063-3
A	0.39	4.9	1-2198063-2
A	0.39	4.5	1-2198063-1
-	0.46	5.5	2198063-6
-	0.46	4.9	2198063-5
-	0.46	4.5	2198063-4
-	0.39	5.5	2198063-3
-	0.39	4.9	2198063-2
-	0.39	4.5	2198063-1
KEY POSITION	P PLATED THROUGH HOLE SIZE	M POST LENGTH	PART NUMBER

- 1 MATERIAL:
HOUSING: LCP, GLASS FILLED, UL94V-0.
TERMINALS: HIGH PERFORMANCE COPPER ALLOY.
- 2 FINISH:
30μ" MIN GOLD IN CONTACT AREA. SELECTIVE TIN
ON PCB TAILS, NICKEL OVERALL.
- 3. SCREWS PACKAGED IN END OF PACKAGING TUBE.
- 4 FOR GROUNDED GUIDE PIN USE Ø3.56±0.08 PTH,
Ø3.66 DRILL, AND Ø6.5 PAD.
- 5. KEYING PIN SHOWN IN POSITION A, SEE KEYING CHART
ON SHEET 2 FOR OTHER POSITIONS.



REFER TO WWW.TE.COM
FOR PRODUCT AVAILABILITY

THIS DRAWING IS A CONTROLLED DOCUMENT.		DMN S. WELDON 27JUL2012	STE TE Connectivity
DIMENSIONS: mm		CHK D. DIXON 27JUL2012	
TOLERANCES UNLESS OTHERWISE SPECIFIED:		APVD D. DIXON 27JUL2012	NAME IMPACT.85 OHM, STANDARD, 4 PAIR PLUS, 10 COLUMN HEADER, RIGHT GUIDED, LEFT ENDWALL, SIGNAL MODULE
0 PLC ± 1 PLC ±0.25 2 PLC ±0.13 3 PLC ± 4 PLC ± ANGLES ± FINISH SEE TABLE		PRODUCT SPEC	
MATERIAL		APPLICATION SPEC	SIZE CAGE CODE DRAWING NO RESTRICTED TO
		WEIGHT	A100779C=2198063
		Customer Drawing	SCALE 5:1 SHEET 2 OF 2 REV A