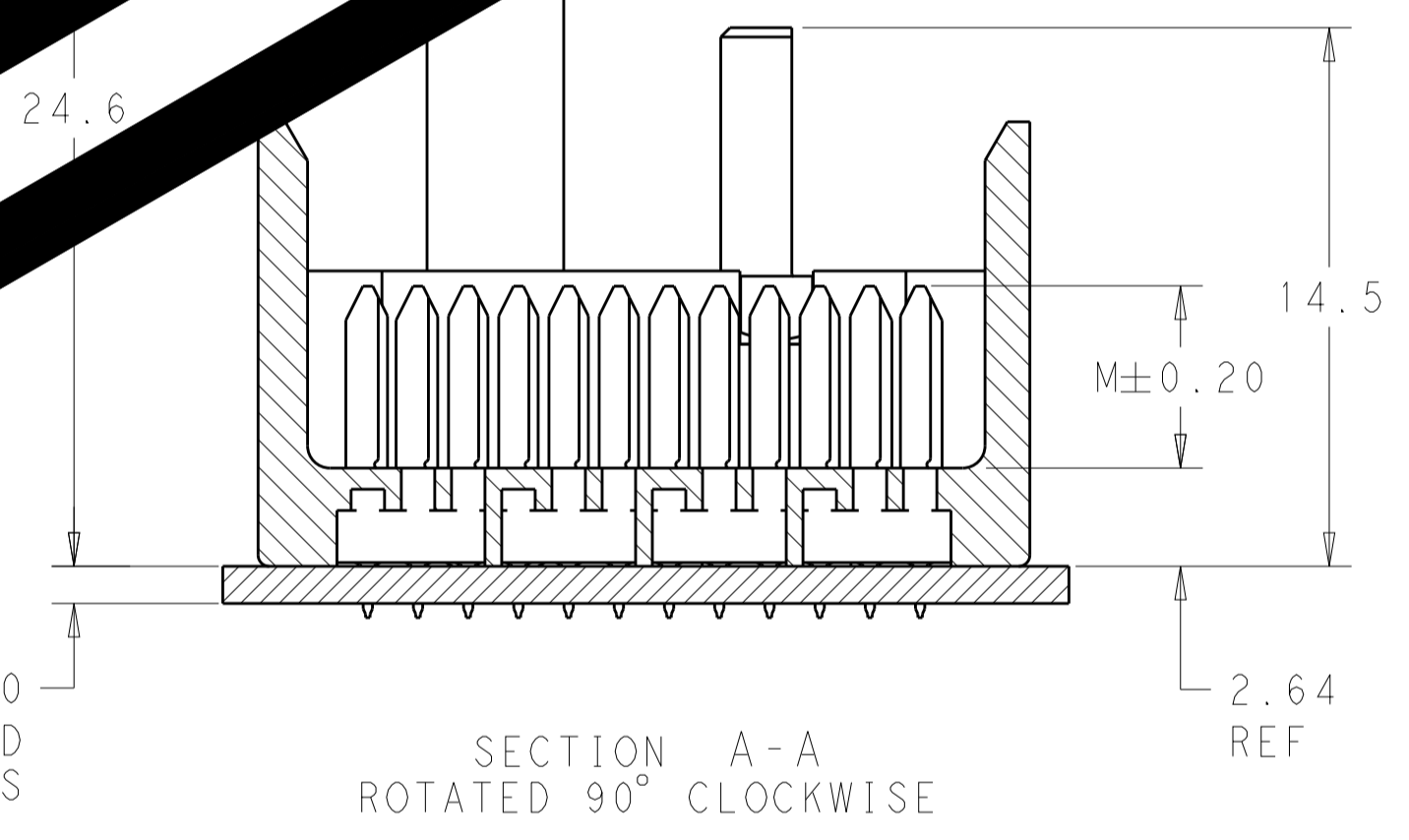
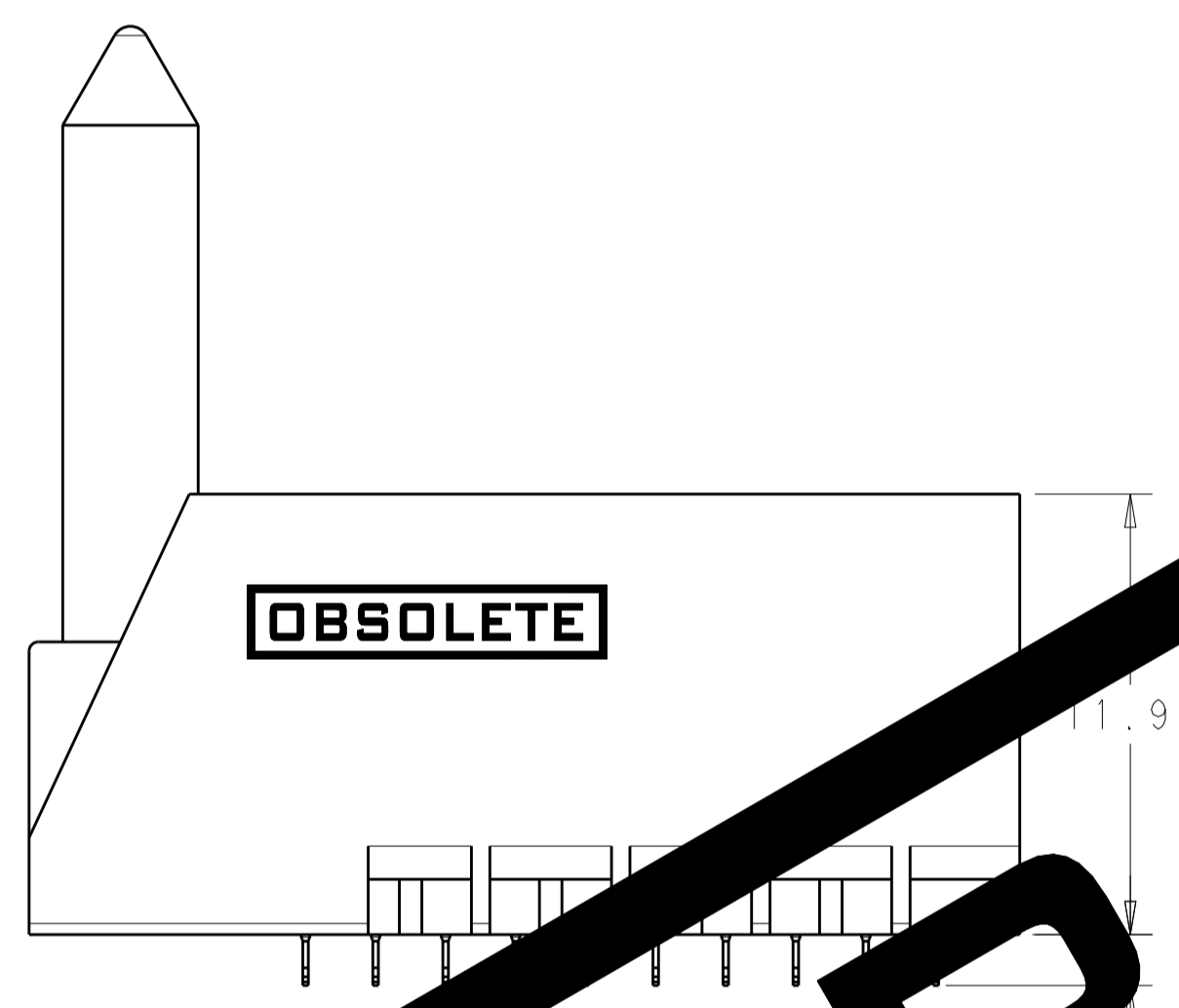
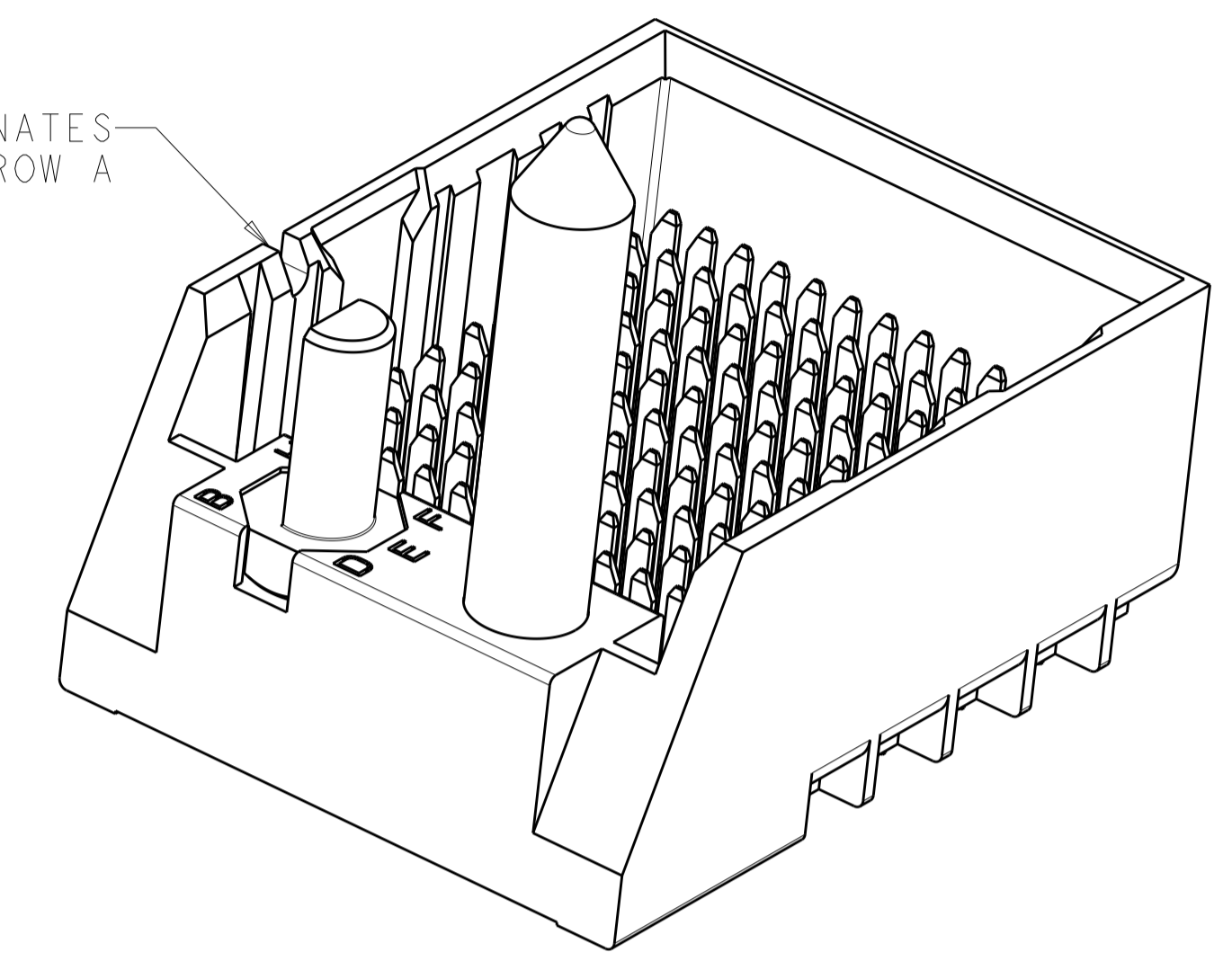
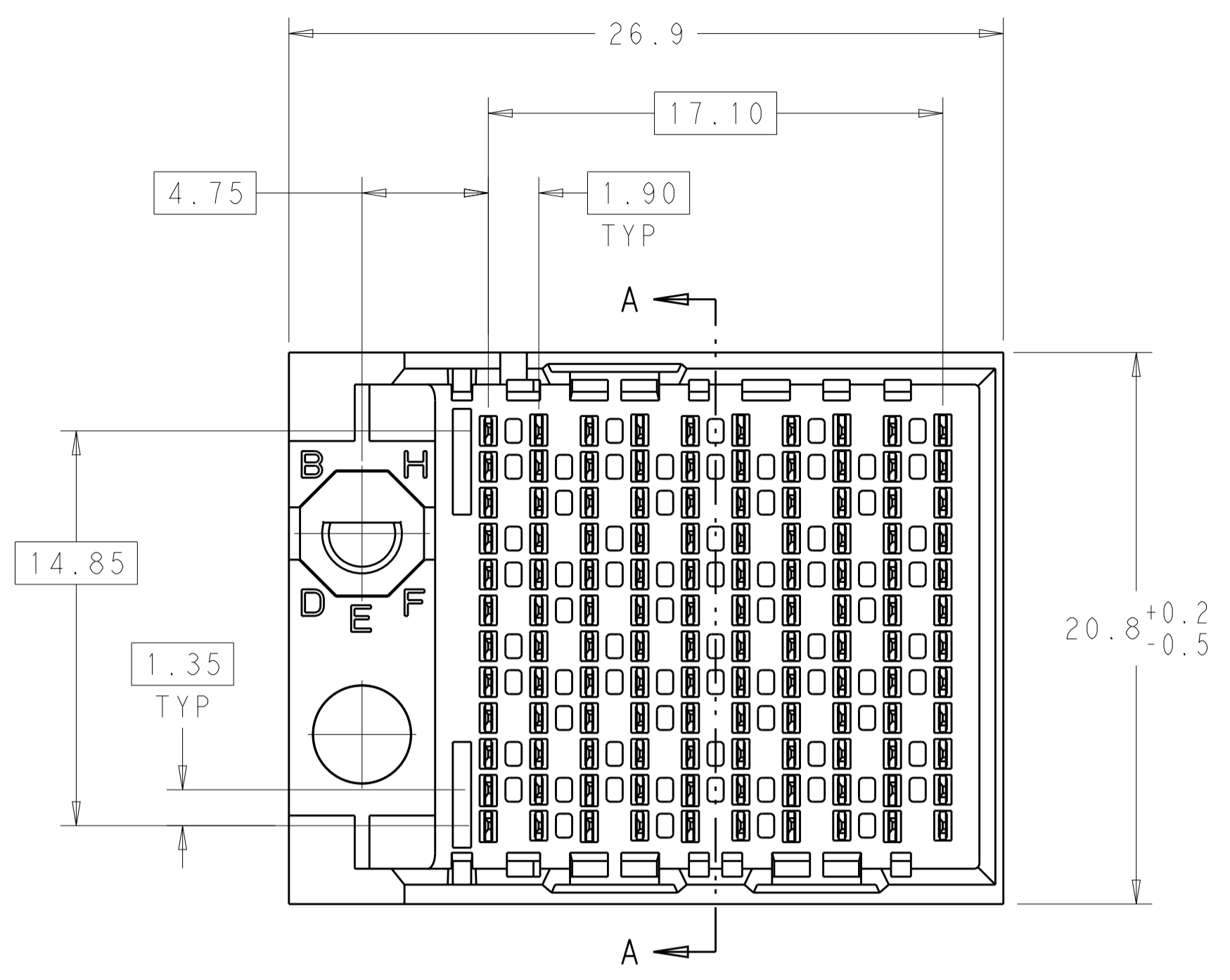
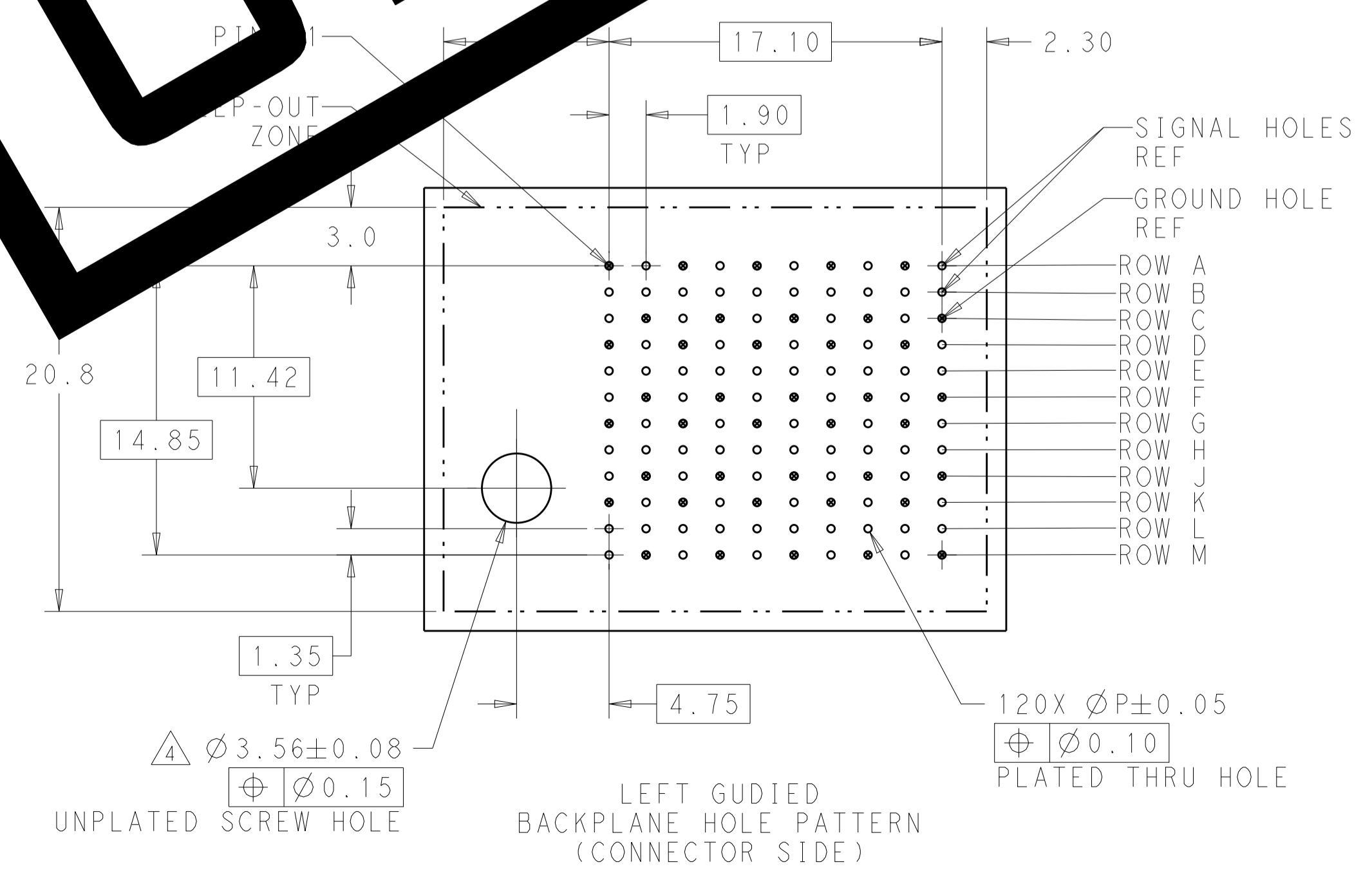


LOC		DIST		REVISIONS			
P	LTN	DESCRIPTION	DATE	DWN	APVD	SY	HL
B		OBSOLETE PER ECO-20-011181	10AUG2020	SY			



OBSOLETE



THIS DRAWING IS A CONTROLLED DOCUMENT.		DWN	21JUN2012	STE TE Connectivity
DIMENSIONS:		CHK	D. DIXON 21JUN2012	
mm		APVD	D. DIXON 21JUN2012	
TOLERANCES UNLESS OTHERWISE SPECIFIED:		NAME		
0 PLC	±	IMPACT, 85 OHM, STANDARD, 4 PAIR PLUS,		
1 PLC	±0.25	10 COLUMN HEADER, LEFT GUIDED,		
2 PLC	±0.13	RIGHT ENDWALL, SIGNAL MODULE		
3 PLC	±	SIZE		
4 PLC	±	CAGE CODE		
ANGLES	±	DRAWING NO		
FINISH		WEIGHT		
SEE TABLE		A100779C=2198061		
MATERIAL		Customer Drawing		
SCALE		5:1		
SHEET		1 of 2		
REV		B		

LOC	DIST	REV	DATE	BY	APPV
-	-	1	21JUN2012	D. DIXON	
-	-	2	21JUN2012	D. DIXON	

KEY POSITION	P PLATED THROUGH HOLE SIZE	M POST LENGTH	PART NUMBER
H	0.46	5.5	8-2198061-6
H	0.46	4.9	8-2198061-5
H	0.46	4.5	8-2198061-4
H	0.39	5.5	8-2198061-3
H	0.39	4.9	8-2198061-2
H	0.39	4.5	8-2198061-1
G	0.46	5.5	7-2198061-6
G	0.46	4.9	7-2198061-5
G	0.46	4.5	7-2198061-4
G	0.39	5.5	7-2198061-3
G	0.39	4.9	7-2198061-2
G	0.39	4.5	7-2198061-1
F	0.46	5.5	6-2198061-6
F	0.46	4.9	6-2198061-5
F	0.46	4.5	6-2198061-4
F	0.39	5.5	6-2198061-3
F	0.39	4.9	6-2198061-2
F	0.39	4.5	6-2198061-1
E	0.46	5.5	5-2198061-6
E	0.46	4.9	5-2198061-5
E	0.46	4.5	5-2198061-4
E	0.39	5.5	5-2198061-3
E	0.39	4.9	5-2198061-2
E	0.39	4.5	5-2198061-1
D	0.46	5.5	4-2198061-6
D	0.46	4.9	4-2198061-5
D	0.46	4.5	4-2198061-4
D	0.39	5.5	4-2198061-3
D	0.39	4.9	4-2198061-2
D	0.39	4.5	4-2198061-1
C	0.46	5.5	3-2198061-6
C	0.46	4.9	3-2198061-5
C	0.46	4.5	3-2198061-4
C	0.39	5.5	3-2198061-3
C	0.39	4.9	3-2198061-2
C	0.39	4.5	3-2198061-1
B	0.46	5.5	2-2198061-6
B	0.46	4.9	2-2198061-5
B	0.46	4.5	2-2198061-4
B	0.39	5.5	2-2198061-3
B	0.39	4.9	2-2198061-2
B	0.39	4.5	2-2198061-1
A	0.46	5.5	1-2198061-6
A	0.46	4.9	1-2198061-5
A	0.46	4.5	1-2198061-4
A	0.39	5.5	1-2198061-3
A	0.39	4.9	1-2198061-2
A	0.39	4.5	1-2198061-1
-	0.46	5.5	2198061-6
-	0.46	4.9	2198061-5
-	0.46	4.5	2198061-4
-	0.39	5.5	2198061-3
-	0.39	4.9	2198061-2
-	0.39	4.5	2198061-1

OBSOLETE

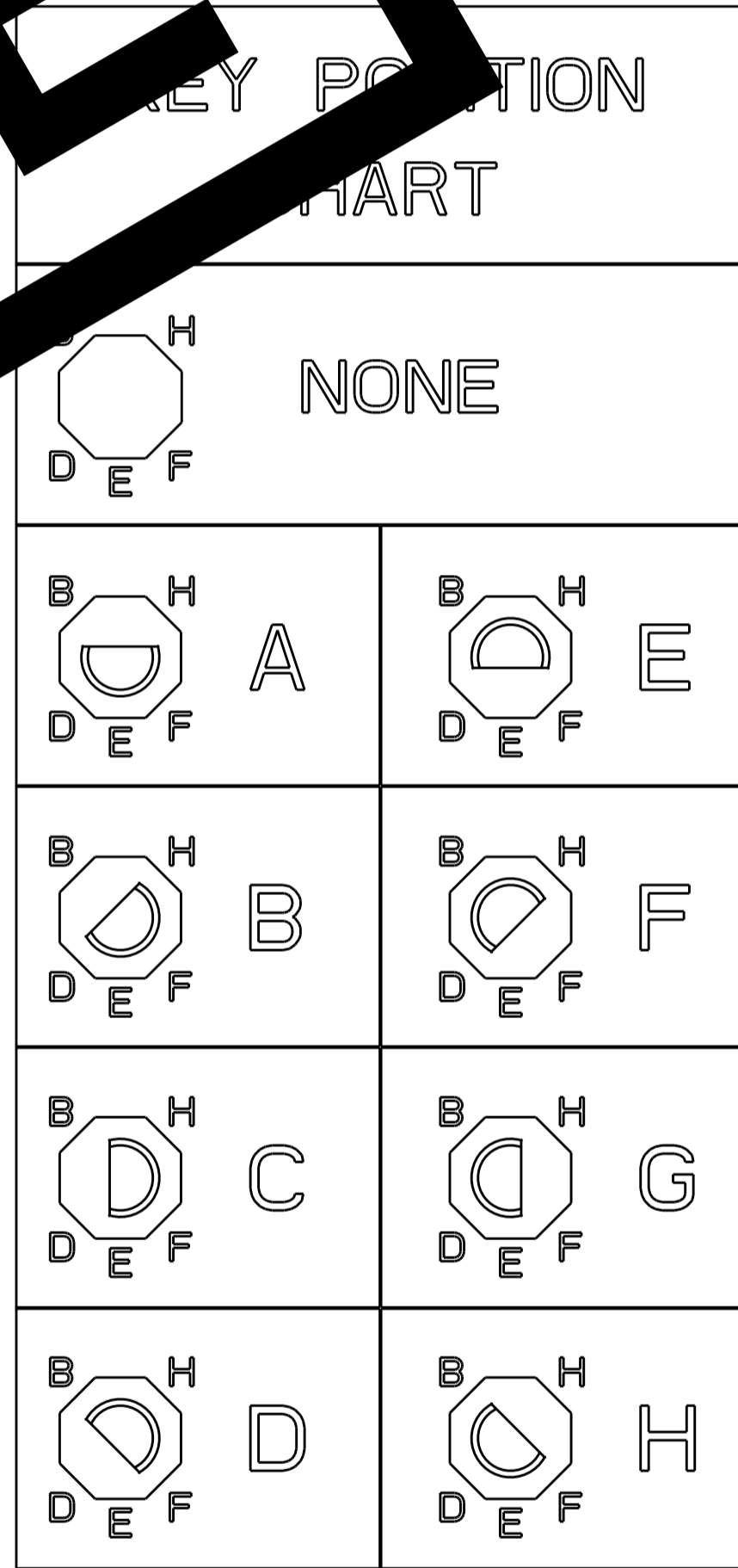
△ MATERIAL:
 HOUSING: LCP, GLASS FILLED, UL94V-0.
 TERMINALS: HIGH PERFORMANCE COPPER ALLOY.

△ FINISH:
 30μ" MIN GOLD IN CONTACT AREA. SELECTIVE TIN
 ON PCB TAILS, NICKEL OVERALL.

△ KEYING: PIN POSITIONS PACKAGED IN END OF PACKAGING TUBE.

△ FOR UNFOUNDED GUIDE PIN USE Ø3.56±0.08 PTH,
 Ø3.0 DRILL, AND Ø6.5 PAD.

△ KEYING POSITION SHOWN IN POSITION A, SEE KEYING CHART
 ON SHEET 2 FOR OTHER POSITIONS.



REFER TO WWW.TE.COM
 FOR PRODUCT AVAILABILITY

THIS DRAWING IS A CONTROLLED DOCUMENT.		OWN: 21JUN2012		
DIMENSIONS: mm		CHK: D. DIXON 21JUN2012		
TOLERANCES UNLESS OTHERWISE SPECIFIED:		APVD: D. DIXON 21JUN2012	NAME: IMPACT.85 OHM. STANDARD.4 PAIR PLUS. 10 COLUMN HEADER,LEFT GUIDED, RIGHT ENDWALL,SIGNAL MODULE	
0 PLC ±.13 1 PLC ±0.25 2 PLC ±0.13 3 PLC ±.13 4 PLC ±.13 ANGLES ±.13		PRODUCT SPEC: -	SIZE: A100779C=2198061	
MATERIAL: -		APPLICATION SPEC: -	RESTRICTED TO: -	
FINISH: SEE TABLE		WEIGHT: -	SCALE: 5:1 SHEET 2 OF 2 REV B	
		Customer Drawing		