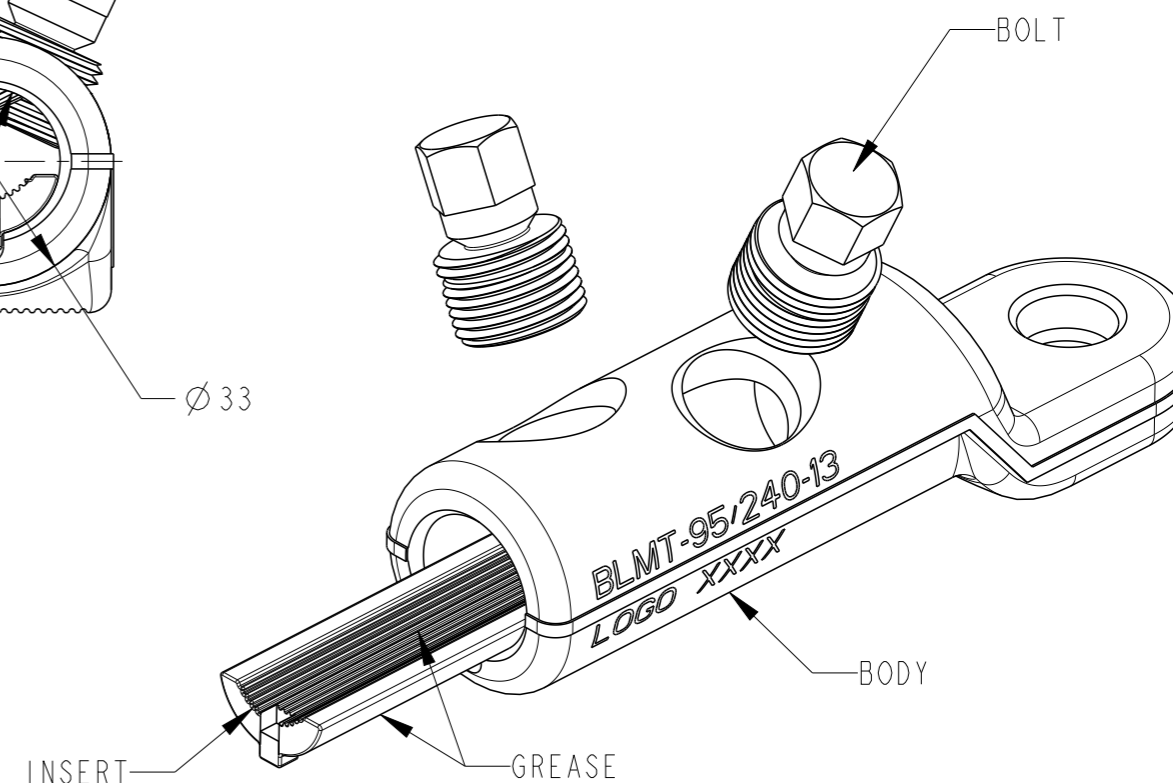
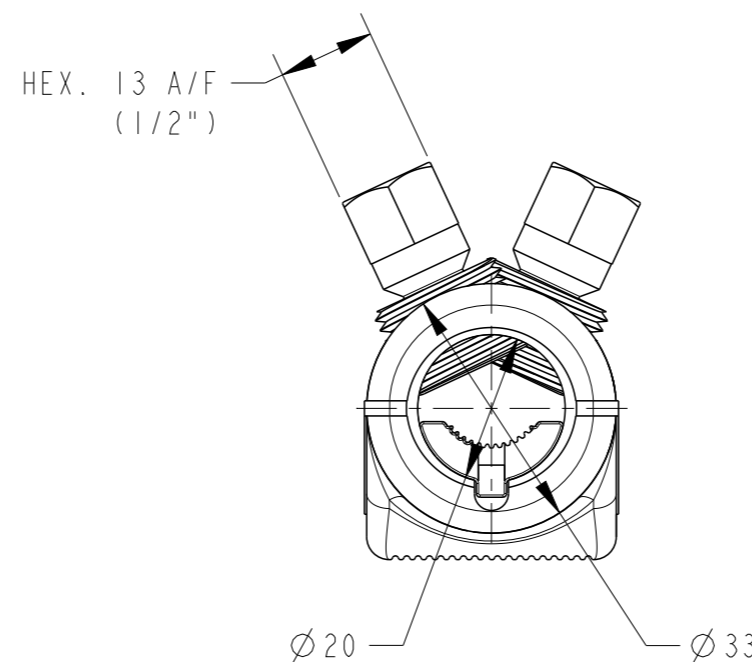
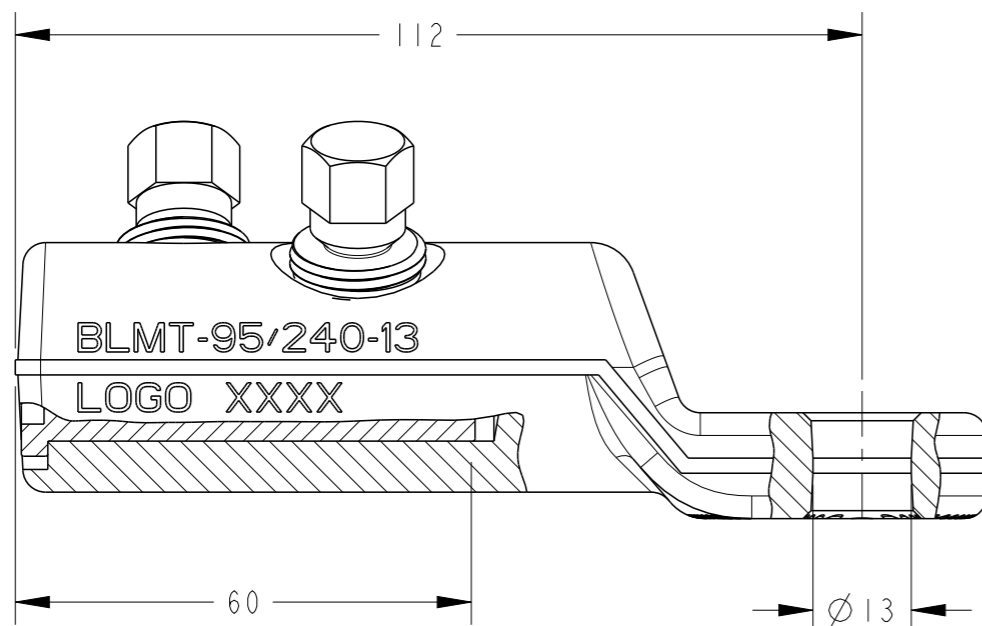


P	LTR	DESCRIPTION	DATE	DWN	APVD
	A	INITIAL RELEASE	22DEC2020	RS	NA



TCPN	DESCRIPTION	CROSS SECTION (mm <sup>2</sup> )
2197976-1	BLMT-95/240-13-CN	95-240

THIS DRAWING IS A CONTROLLED DOCUMENT.

DIMENSIONS:  
mm



TOLERANCES UNLESS OTHERWISE SPECIFIED:

0 PLC	±-
1 PLC	±-
2 PLC	±-
3 PLC	±-
4 PLC	±-
ANGLES	±-
FINISH	-

MATERIAL

-

DWN RAVI.S 22DEC2020

CHK L. JONATHAN 22DEC2020

APVD N. ALMEIDA 22DEC2020

PRODUCT SPEC

APPLICATION SPEC

WEIGHT 193 g

CUSTOMER DRAWING

NAME BLMT-95/240-13-CN

SIZE A3 CAGE CODE 00779 DRAWING NO. C-2197976 RESTRICTED TO

SCALE NTS SHEET 1 OF 1 REV A

**TE** TE Connectivity