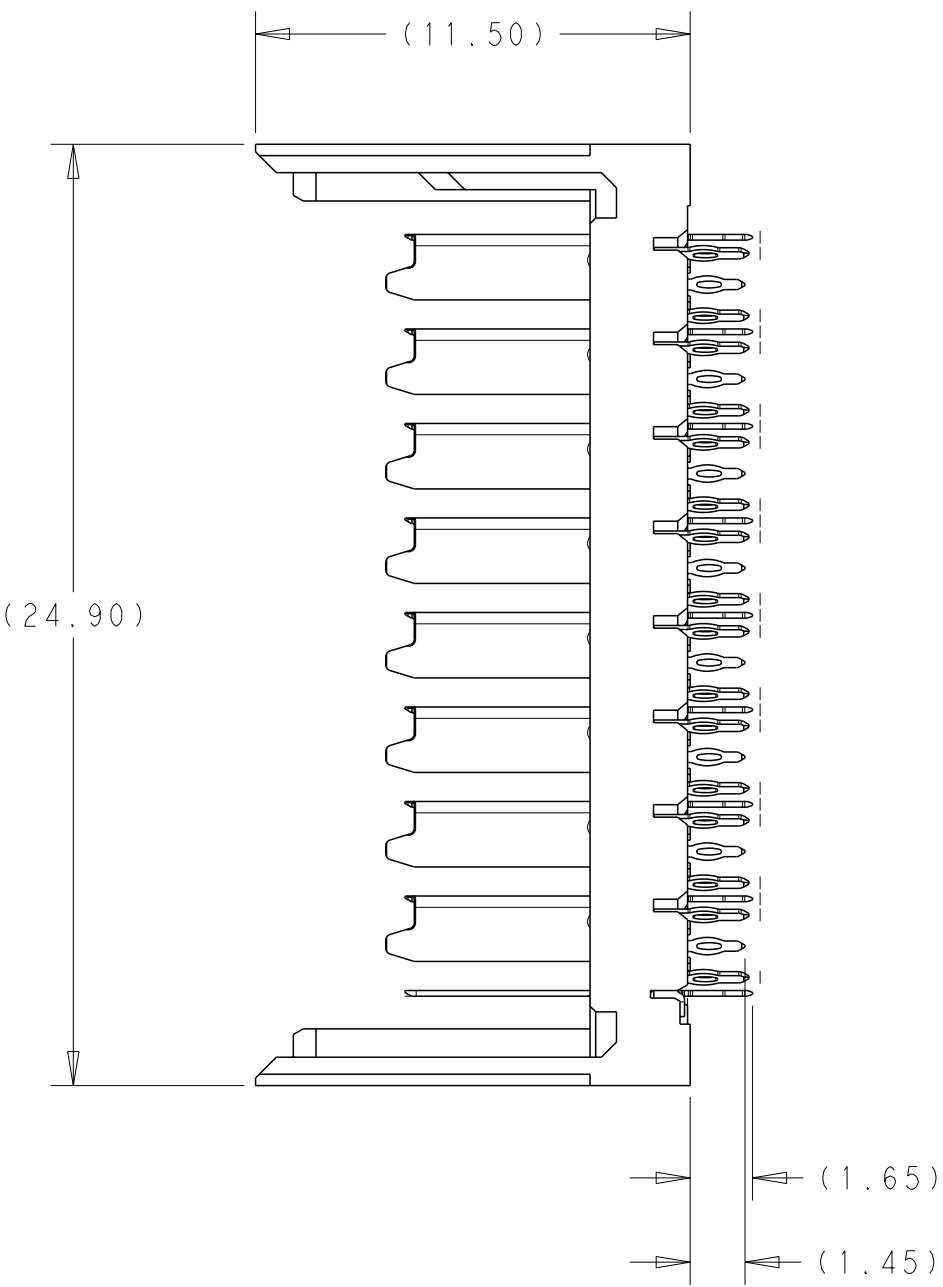
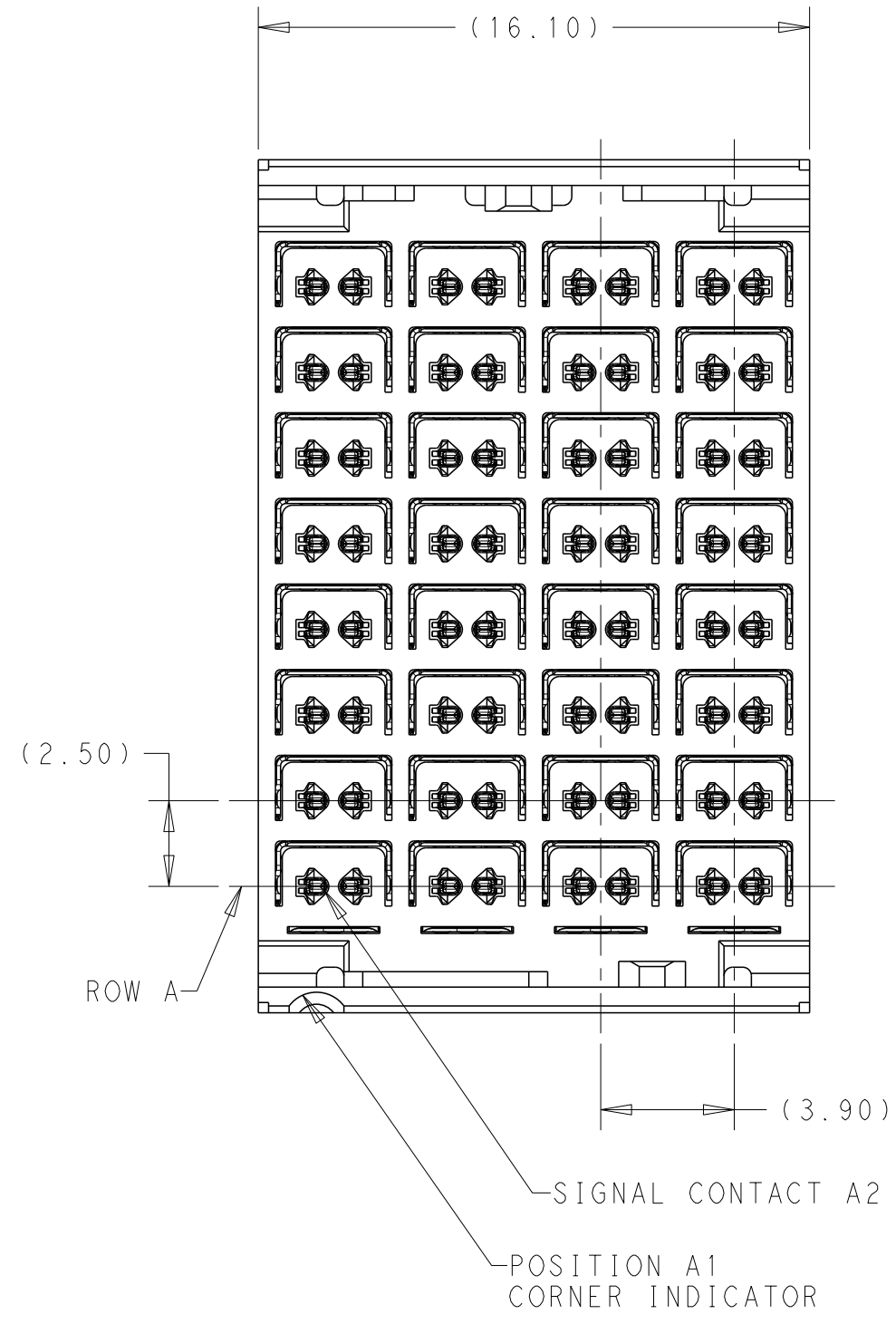
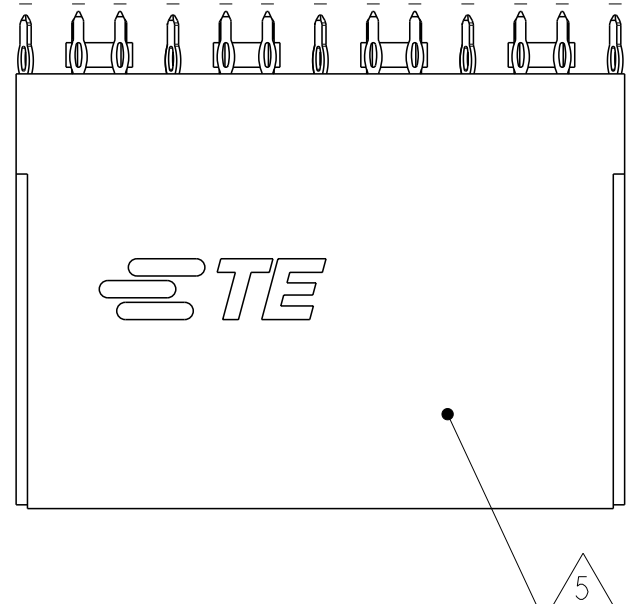


THIS DRAWING IS UNPUBLISHED. RELEASED FOR PUBLICATION 2014  
 © COPYRIGHT 2014 BY TE CONNECTIVITY ALL RIGHTS RESERVED.

REVISIONS				
P	LTR	DESCRIPTION	DATE	APVD
A		REVISED PER ECO-16-000464	09MAR2016	AP RP
B		REVISED PER ECO-16-015291	25OCT2016	AP RP
C		REVISED PER ECO-17-008027	05JUN2017	AP RP



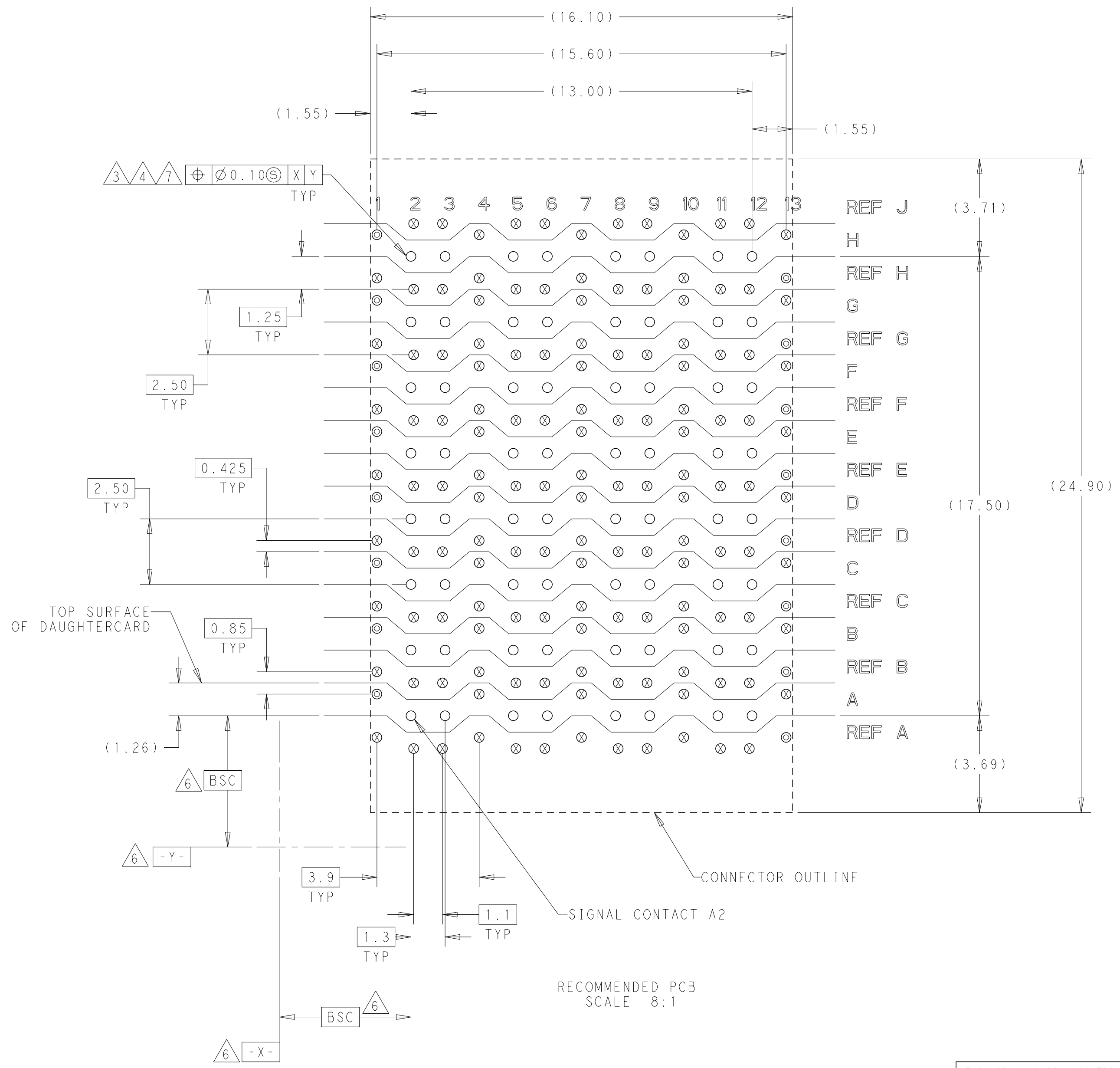
- 1 MATERIAL:  
HOUSING: THERMOPLASTIC, UL 94V-0, BLACK.  
CONTACTS AND SHIELDS: COPPER ALLOY
- 2 FINISH:  
- CONFORMS TO THE REQUIREMENTS OF TE PRODUCT SPECIFICATION 108-32021 BASED ON TELCORDIA GR-1217-CORE FOR SYSTEM QUALITY LEVEL III, APPLICATIONS IN CONTROLLED ENVIRONMENTS (CENTRAL OFFICE).  
- COMPLIANT PIN AREA: 0.5µm MIN MATTE TIN.
- 3 SIGNAL, GROUND, AND SI VIA PLATED THRU HOLE REQUIREMENTS:  
FINISHED HOLE =  $\varnothing 0.37 \pm 0.05$   
HOLE SIZE PRIOR TO PLATING =  $\varnothing 0.450 \pm 0.025$   
COPPER THICKNESS = 0.025 MIN  
IMMERSION TIN IF APPLICABLE = 0.00095 REF
- 4 PTH DIMENSIONS APPLY TO THE TOP 1.00mm OF THE PCB THICKNESS FROM THE CONNECTOR MOUNTING SIDE.
- 5 CONNECTOR MARKED WITH PART NUMBER, DATE CODE, AND "85 OHM" IN APPROXIMATE AREA SHOWN.
- 6 DATUMS AND BASIC DIMENSIONS ESTABLISHED BY CUSTOMER.
- 7 APPLIES TO FINISHED HOLE DIAMETER.
- 8. CONTACT PRODUCT ENGINEERING FOR LAYOUTS WHEN STACKING CONNECTORS.

2187613-1  
PART NUMBER

THIS DRAWING IS A CONTROLLED DOCUMENT.		DWN B. MCMASTER 11SEP2014		
DIMENSIONS: mm		CHK N. EVANS 11SEP2014		
TOLERANCES UNLESS OTHERWISE SPECIFIED:		APVD S. FLICKINGER 11SEP2014	NAME HEADER ASSEMBLY, 8 PAIR, 4 COL, OPEN ENDED, BACKPLANE, 85 OHM, PAIR-IN-ROW, STRADA WHISPER	
0 PLC ±		PRODUCT SPEC 108-32021	SIZE A2	CAGE CODE -
1 PLC ±		APPLICATION SPEC 114-32029	DRAWING NO C-2187613	RESTRICTED TO -
2 PLC ±		WEIGHT -	SCALE 5:1	SHEET 1 OF 2
3 PLC ±		CUSTOMER DRAWING	REV C	
4 PLC ±				
ANGLES ±				
FINISH				

THIS DRAWING IS UNPUBLISHED. RELEASED FOR PUBLICATION 2014  
 © COPYRIGHT 2014 BY TE CONNECTIVITY ALL RIGHTS RESERVED.

REVISIONS				
P	LTR	DESCRIPTION	DATE	APVD
-	-	SEE SHEET 1	-	-



RECOMMENDED PCB SCALE 8:1

THIS DRAWING IS A CONTROLLED DOCUMENT.		DWN B. MCMASTER 11SEP2014	TE Connectivity
DIMENSIONS: mm		CHK N. EVANS 11SEP2014	
TOLERANCES UNLESS OTHERWISE SPECIFIED:		APVD S. FLICKINGER 11SEP2014	NAME HEADER ASSEMBLY, 8 PAIR, 4 COL, OPEN ENDED, BACKPLANE, 85 OHM, PAIR-IN-ROW, STRADA WHISPER
0 PLC ± 1 PLC ± 2 PLC ± 3 PLC ± 4 PLC ± ANGLES ± FINISH ±		PRODUCT SPEC 108-32021	SIZE A2
MATERIAL		APPLICATION SPEC 114-32029	CAGE CODE -
		WEIGHT -	DRAWING NO C-2187613
		CUSTOMER DRAWING	RESTRICTED TO -
		SCALE 3:1	SHEET 2 OF 2
			REV C