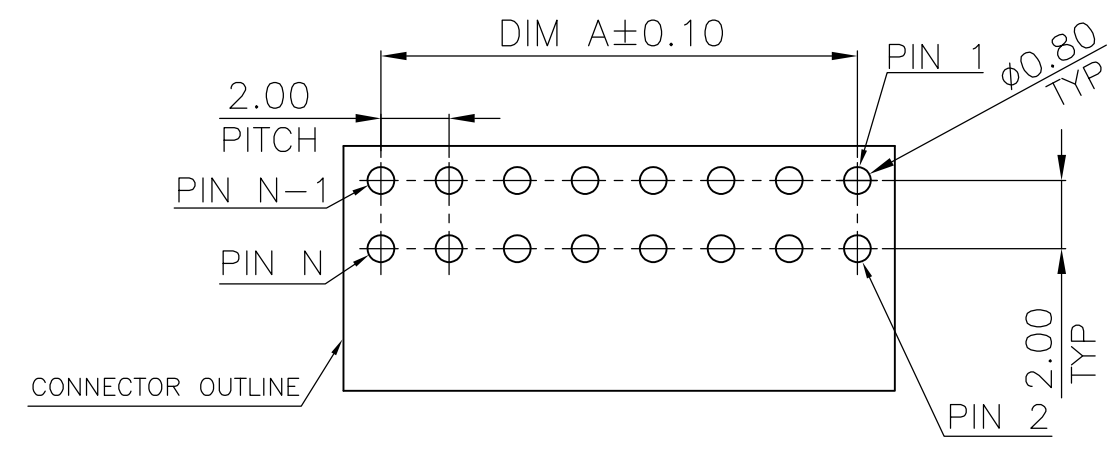
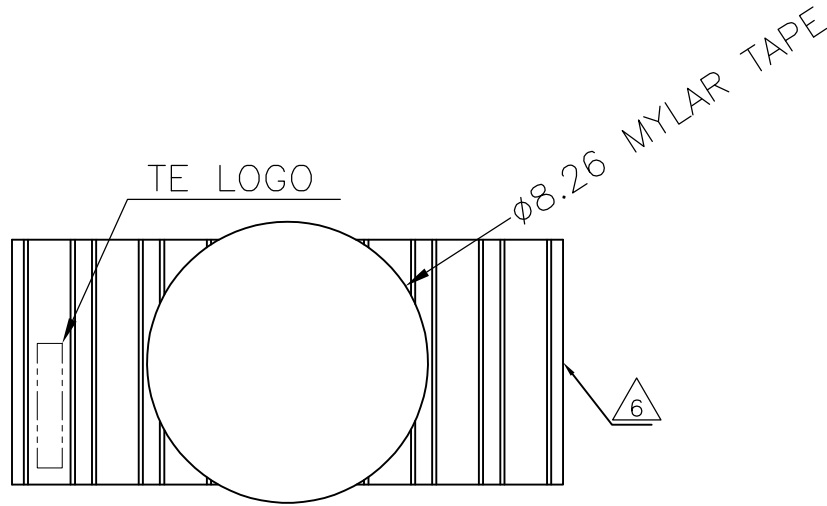
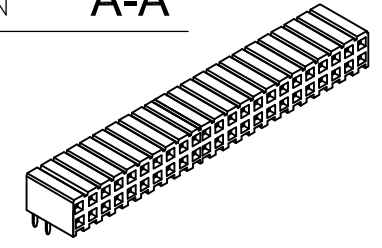
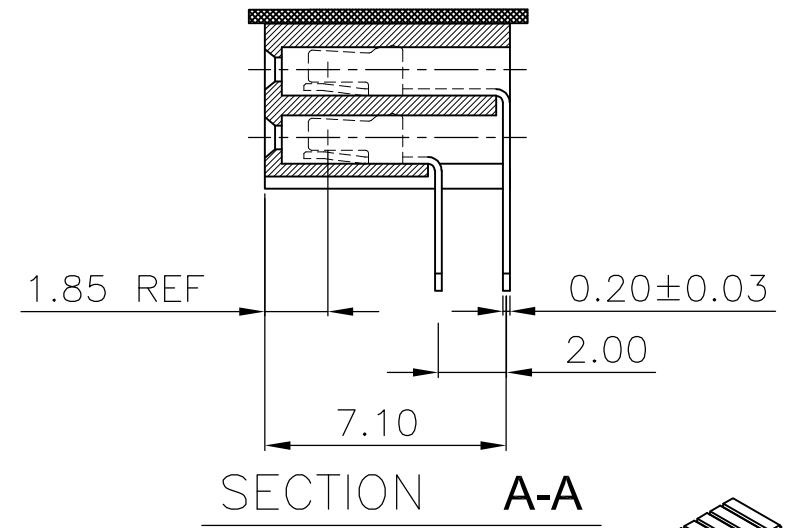
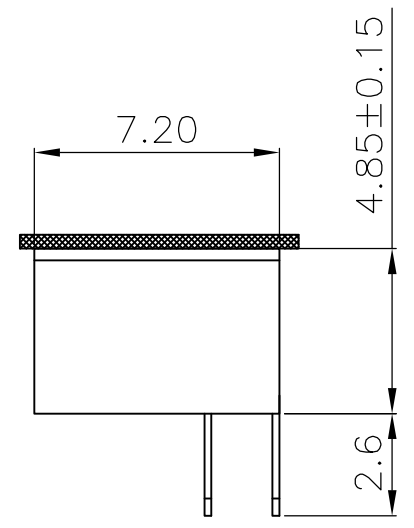
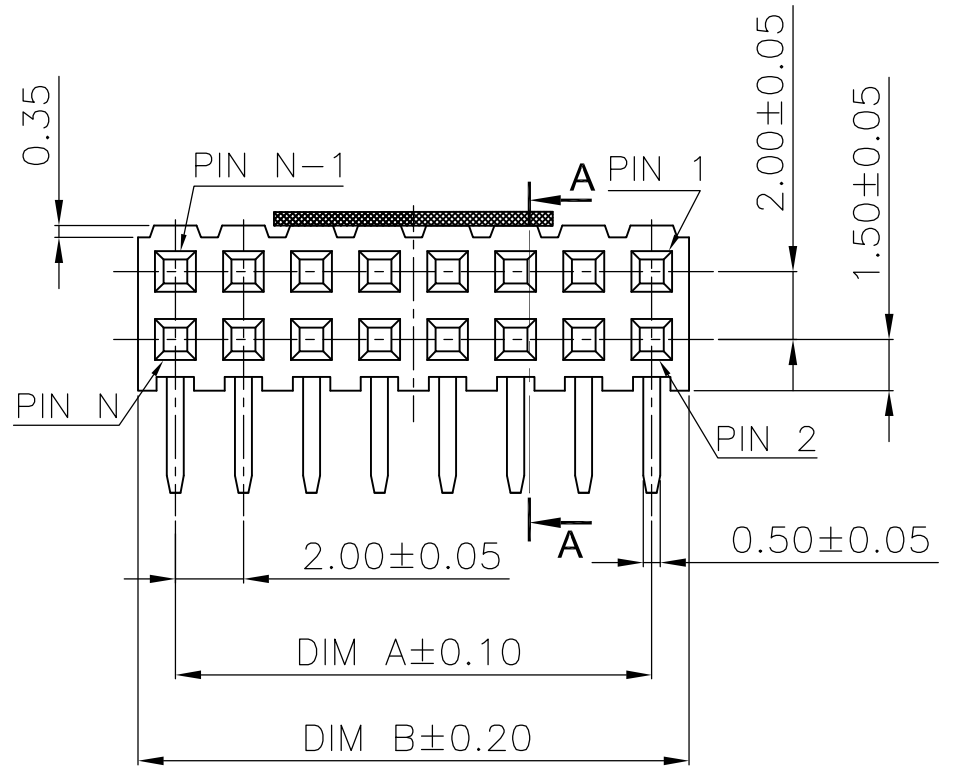


THIS DRAWING IS UNPUBLISHED
 © COPYRIGHT - By - ALL RIGHTS RESERVED.

REVISIONS					
P	LTR	DESCRIPTION	DATE	DWN	APVD
	A3	NOTE 11 UPDATED FROM MSL-2 TO MSL-1	17NOV2016	RP	PS



5 RECOMMENDED PCB LAYOUT
 TOLERANCE ± 0.05 (TOP VIEW)



12.00	14.20	14	1-2178615-4
8.00	10.20	10	1-2178615-0
DIM A	DIM B	POSITION NUMBER	PART NUMBER
DIMENSIONS			

NOTE :

1 MATERIAL :
 HOUSING : PA6T CH 230NK, UL94 V0, COLOR-BLACK
 CONTACT : PHOSPHOR BRONZE, THICKNESS=0.20mm.

2 FINISH :
 CONTACT: 0.254µm [10µ"] MIN. GOLD PLATED ON CONTACT AREA
 2.54µm [100µ"] MIN. BRIGHT TIN PLATED ON SOLDER TAIL
 1.27µm [50µ"] MIN. NICKEL UNDER PLATED OVER ALL

3 APPLICATION :
 SOLDER TAIL LENGTH 2.6 FOR PCB THICKNESS 1.6±0.1

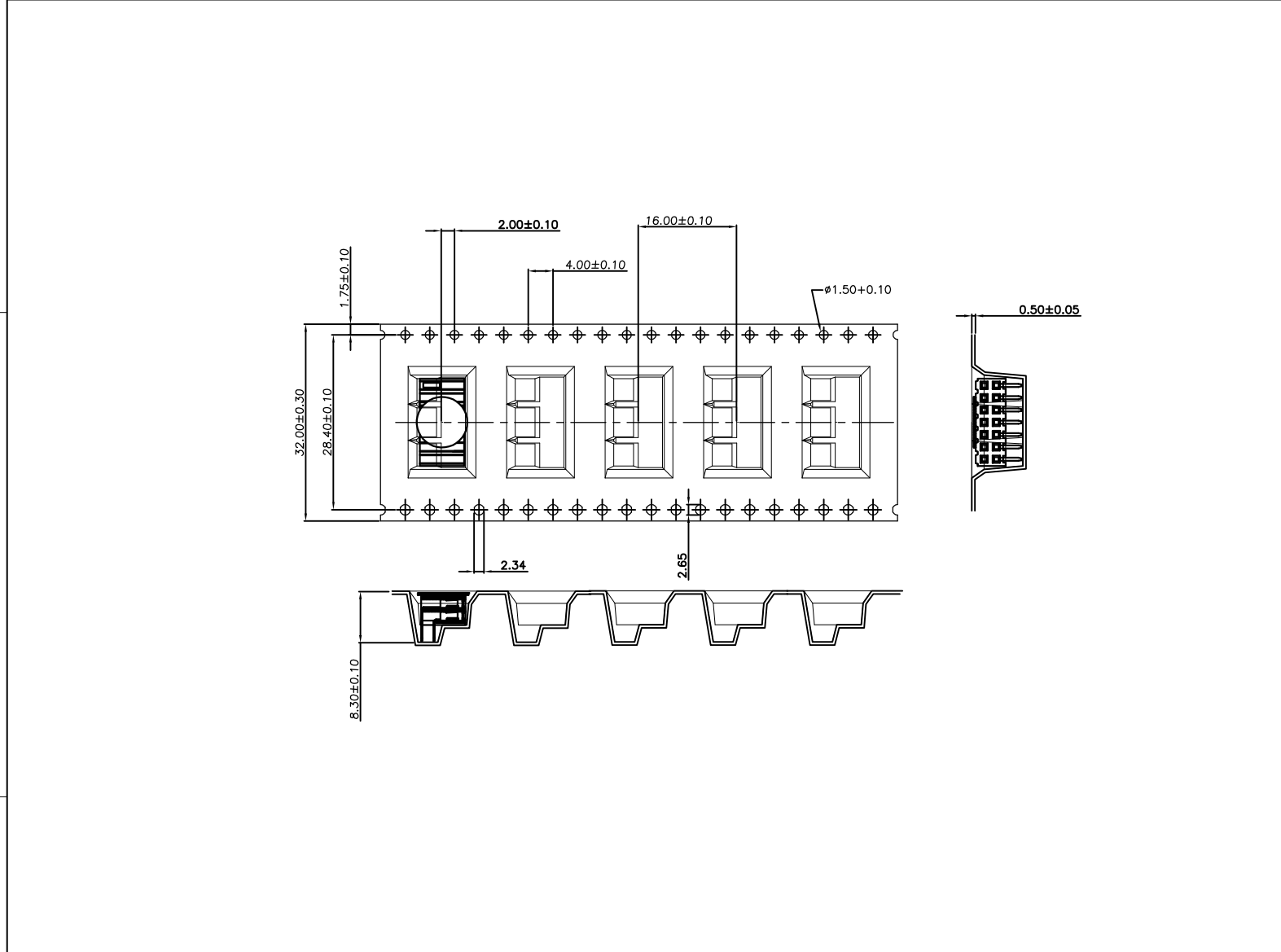
4 REFLOW SOLDER CAPABLE TO 260°C PER TE SPEC 109-201, CONDITION B

5 NO CUMULATIVE TOLERANCE

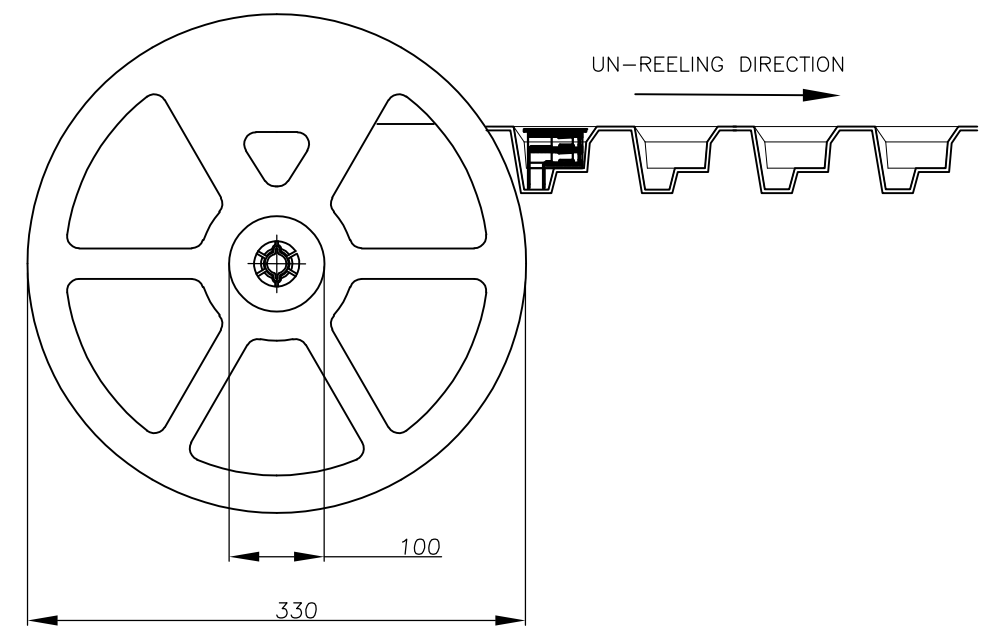
6 DATECODE: YY WW D *
 ASS'Y LINE NO.
 DAY
 WEEK CODE
 YEAR

THIS DRAWING IS A CONTROLLED DOCUMENT.		DWN KJK 18JUN2013	TE Connectivity														
DIMENSIONS: mm		CHK SP 18JUN2013															
TOLERANCES UNLESS OTHERWISE SPECIFIED:		APVD RP 18JUN2013	NAME AMPMODU 2.0mm PITCH, RCPT CONN., RIGHT-ANGLE, MOUNT TYPE														
<table border="0"> <tr><td>0 PLC</td><td>± 0.5</td></tr> <tr><td>1 PLC</td><td>± 0.2</td></tr> <tr><td>2 PLC</td><td>± 0.1</td></tr> <tr><td>3 PLC</td><td>± 0.05</td></tr> <tr><td>4 PLC</td><td>± -</td></tr> <tr><td>ANGLES</td><td>± 3'</td></tr> </table>		0 PLC	± 0.5	1 PLC	± 0.2	2 PLC	± 0.1	3 PLC	± 0.05	4 PLC	± -	ANGLES	± 3'	PRODUCT SPEC 108-57197	SIZE A3		
0 PLC	± 0.5																
1 PLC	± 0.2																
2 PLC	± 0.1																
3 PLC	± 0.05																
4 PLC	± -																
ANGLES	± 3'																
MATERIAL 1		APPLICATION SPEC	CAGE CODE 00779	DRAWING NO C-2178615	RESTRICTED TO -												
FINISH 2		WEIGHT	SCALE 1:1														
CUSTOMER DRAWING			SHEET 1 OF 2		REV A3												

THIS DRAWING IS UNPUBLISHED
 © COPYRIGHT - By - ALL RIGHTS RESERVED.



REVISIONS					
P	LTR	DESCRIPTION	DATE	DWN	APVD
-	-	SEE SHEET 1	-	-	-



- NOTES:
- 7. 10 SPROCKET HOLE PITCH CUMULATIVE TOLERANCE ± 0.20 .
 - 8. CARRIER CAMBER IS WITHIN 1 mm IN 250 mm.
 - 9. MATERIAL : PS, BLACK.
 - 10. ALL DIMENSIONS MEET EIA-481-C REQUIREMENTS.
 - 11. PARTS ARE QUALIFIED FOR MSL-1 (PER IPC/JEDEC J-STD-020). TEST REPORT: 502-153125.

2500	500	14	1-2178615-4
2500	500	10	1-2178615-0
APQ	PPQ	POSITION NUMBER	PART NUMBER

THIS DRAWING IS A CONTROLLED DOCUMENT.		DWN KJK	18JUN2013	TE Connectivity	
DIMENSIONS: mm		CHK SP	18JUN2013		
		APVD RP	18JUN2013		
TOLERANCES UNLESS OTHERWISE SPECIFIED: 0 PLC ± 0.5 1 PLC ± 0.2 2 PLC ± 0.1 3 PLC ± 0.05 4 PLC $\pm -$ ANGLES $\pm 3'$		PRODUCT SPEC 108-57197			
MATERIAL -		FINISH -		NAME AMPMODU 2.0mm PITCH, RCPT CONN., RIGHT-ANGLE, MOUNT TYPE	
		WEIGHT		SIZE A3	CAGE CODE 00779
		CUSTOMER DRAWING		DRAWING NO C-2178615	RESTRICTED TO -
				SCALE 1:1	SHEET 2 OF 2
				REV A3	