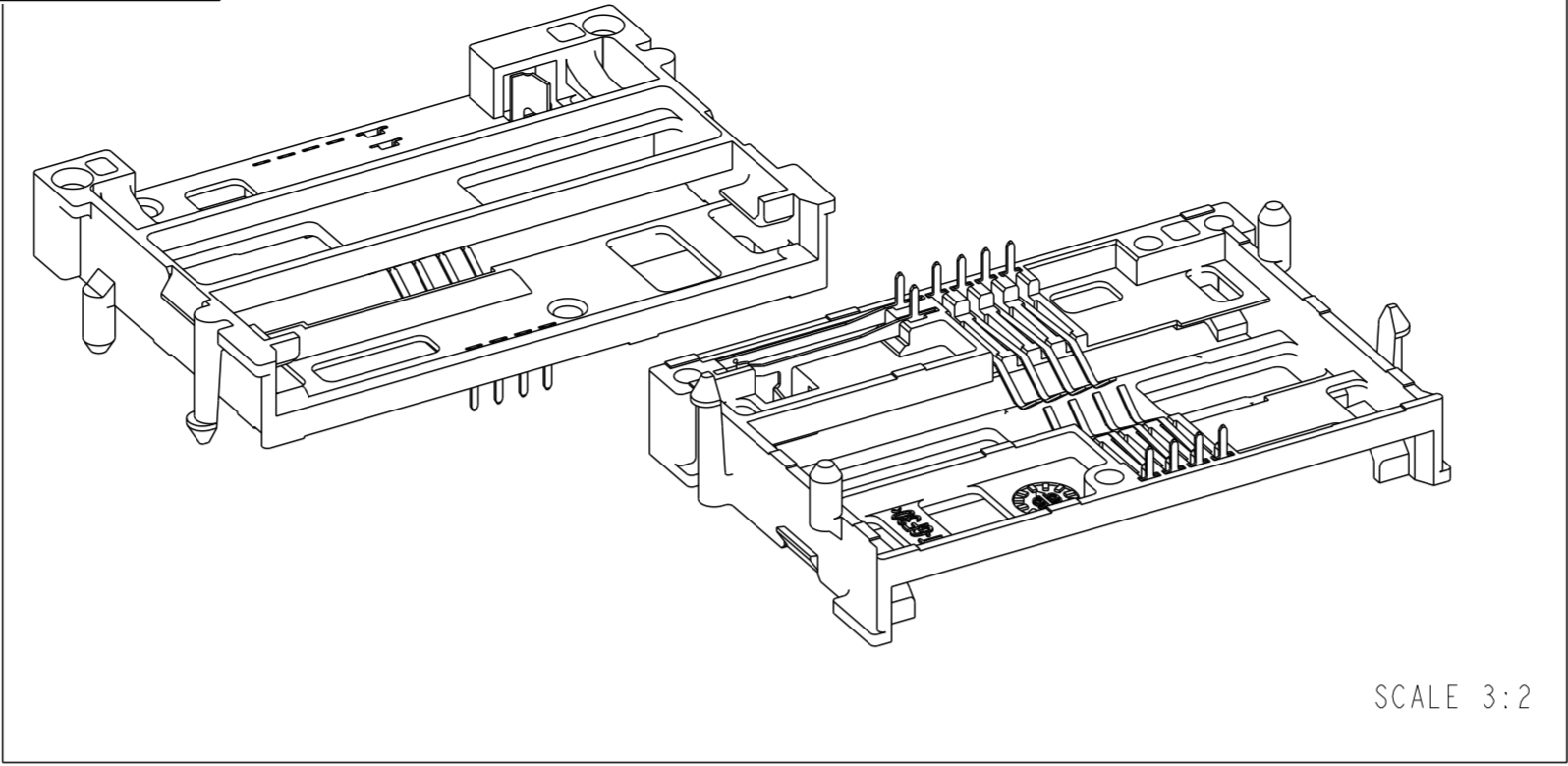


THIS DRAWING IS UNPUBLISHED. RELEASED FOR PUBLICATION
 © COPYRIGHT - ALL RIGHTS RESERVED.

LOC		DIST		REVISIONS			
P	LTR	DESCRIPTION	DATE	DWN	APVD		
IR	-	B	ECR-14-005349	10APR2014	GG	RRP	



SCALE 3:2

NOTES:

CONTACTS PLATING :

1 OVERALL: Ni 2µm MIN, ALL OVER THE CONTACTS.
 SOLDER ZONE: Sn 2.5µm MIN ON THE SOLDER ZONE OF THE CONTACTS.
 MATING ZONE: GOLD FLASH

2 OVERALL: Ni 2µm MIN, ALL OVER THE CONTACTS.
 SOLDER ZONE: Sn 2.5µm MIN ON THE SOLDER ZONE OF THE CONTACTS.
 MATING ZONE: PdNi WITH GOLD

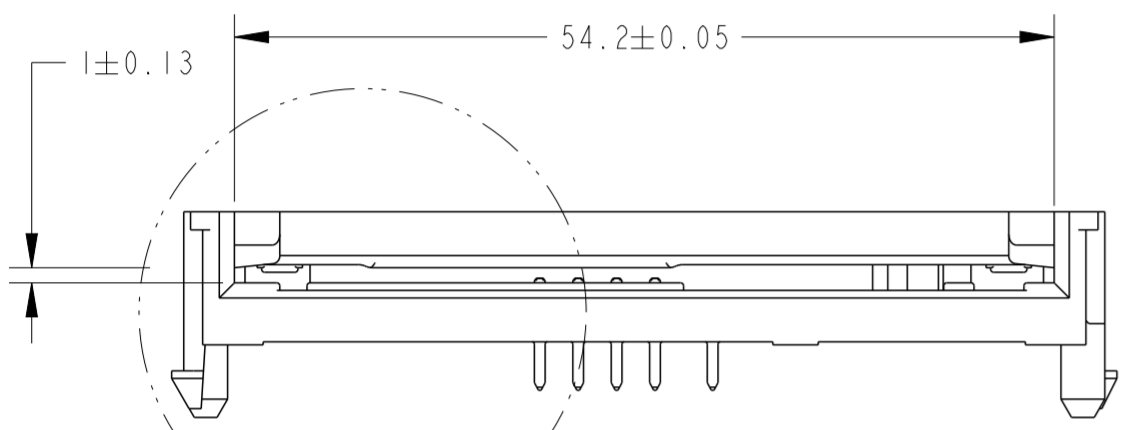
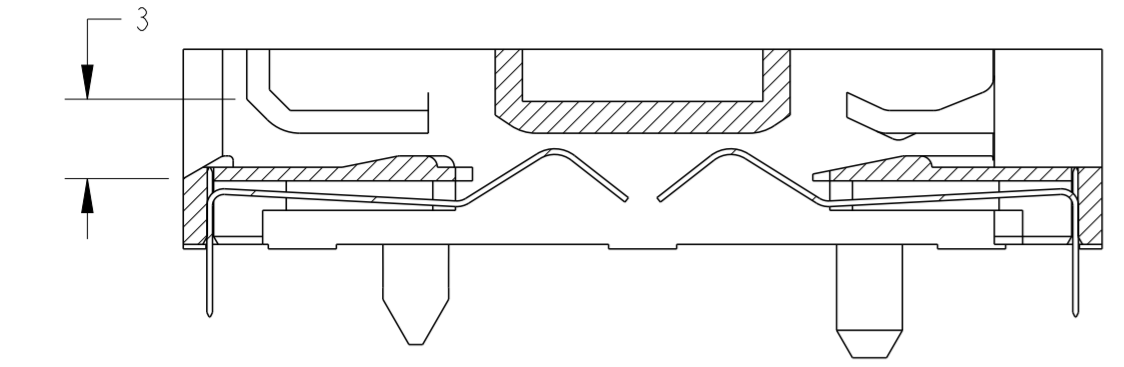
3 MATERIAL :

HOUSING: PBT-GF, BLACK UL 94V0.
 CONTACTS: COPPER ALLOY.

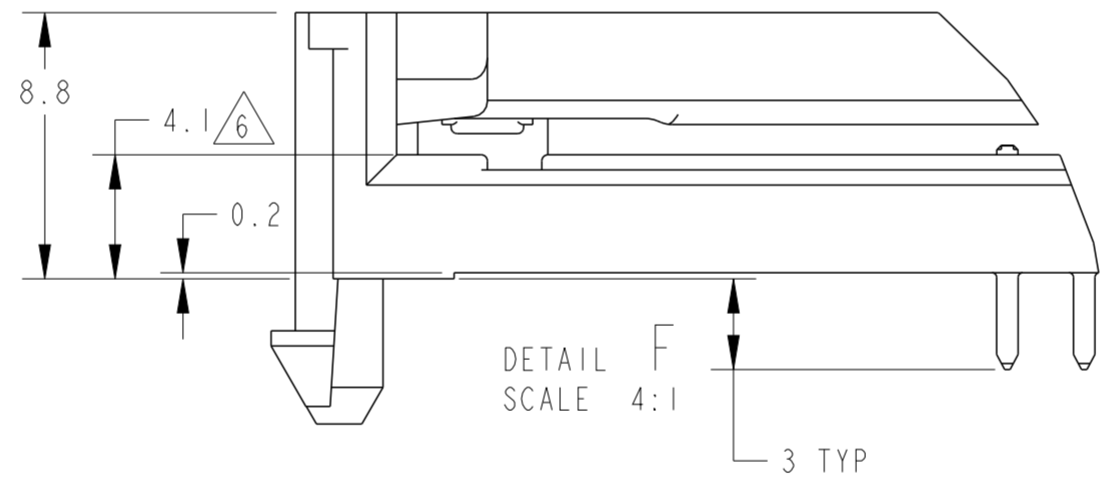
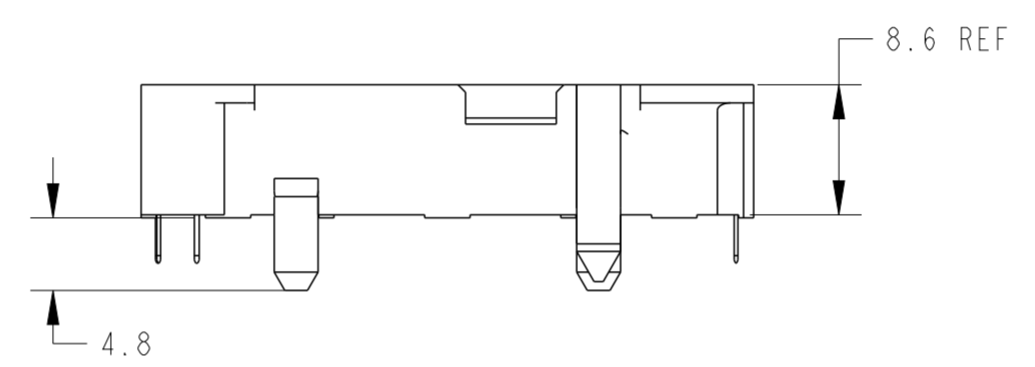
4 TE SMART CARD RECEPTACLE DESIGNED TO ACCEPT ISO 7810-7816 TYPE INTEGRATED CIRCUIT SMART CARDS (0.76MM REF. THICKNESS) SEE SHEET 2/2

5 LOGO SHAPE AND POSITION VARY DEPENDING ON MOLD CAVITY NUMBER.

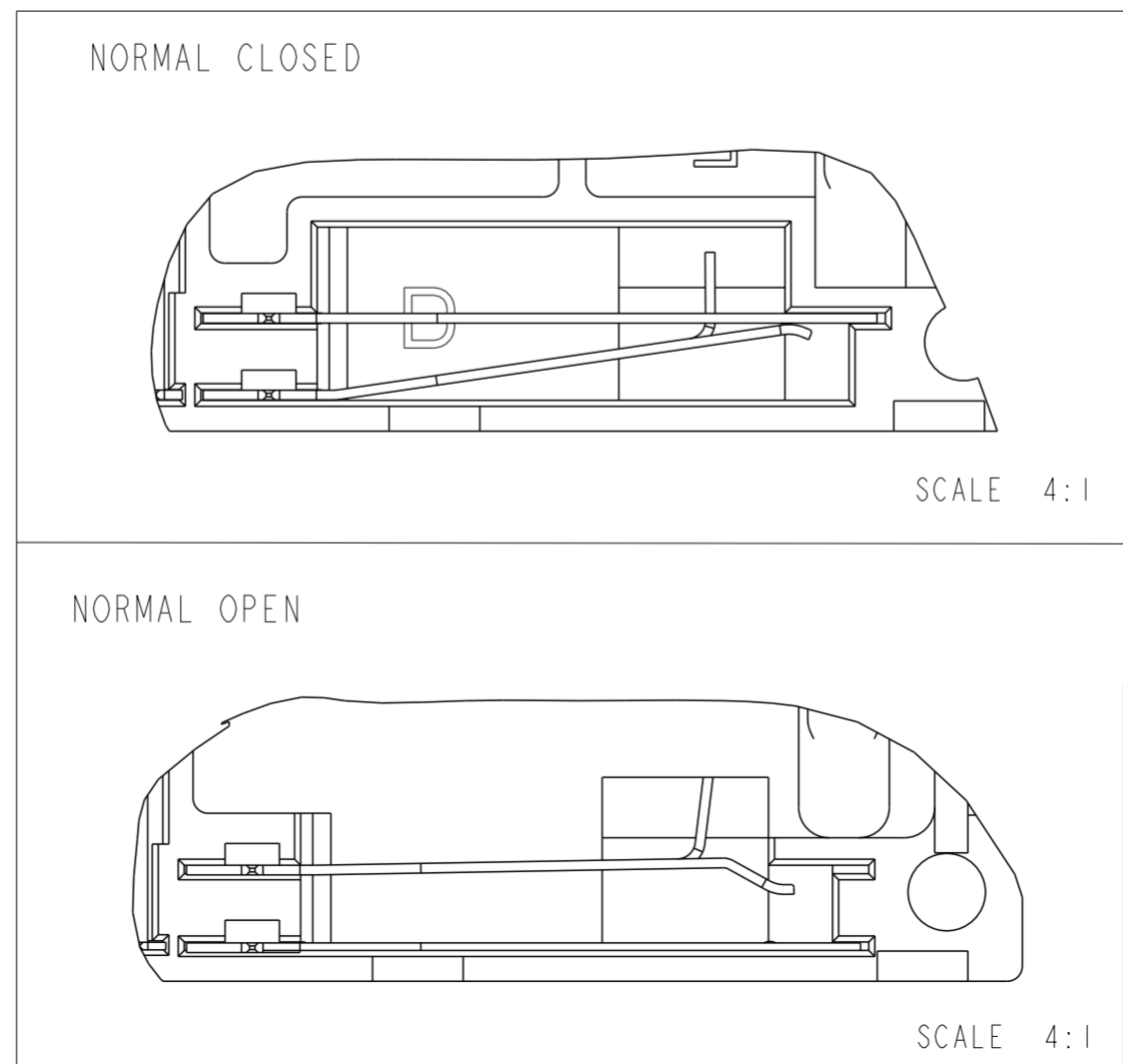
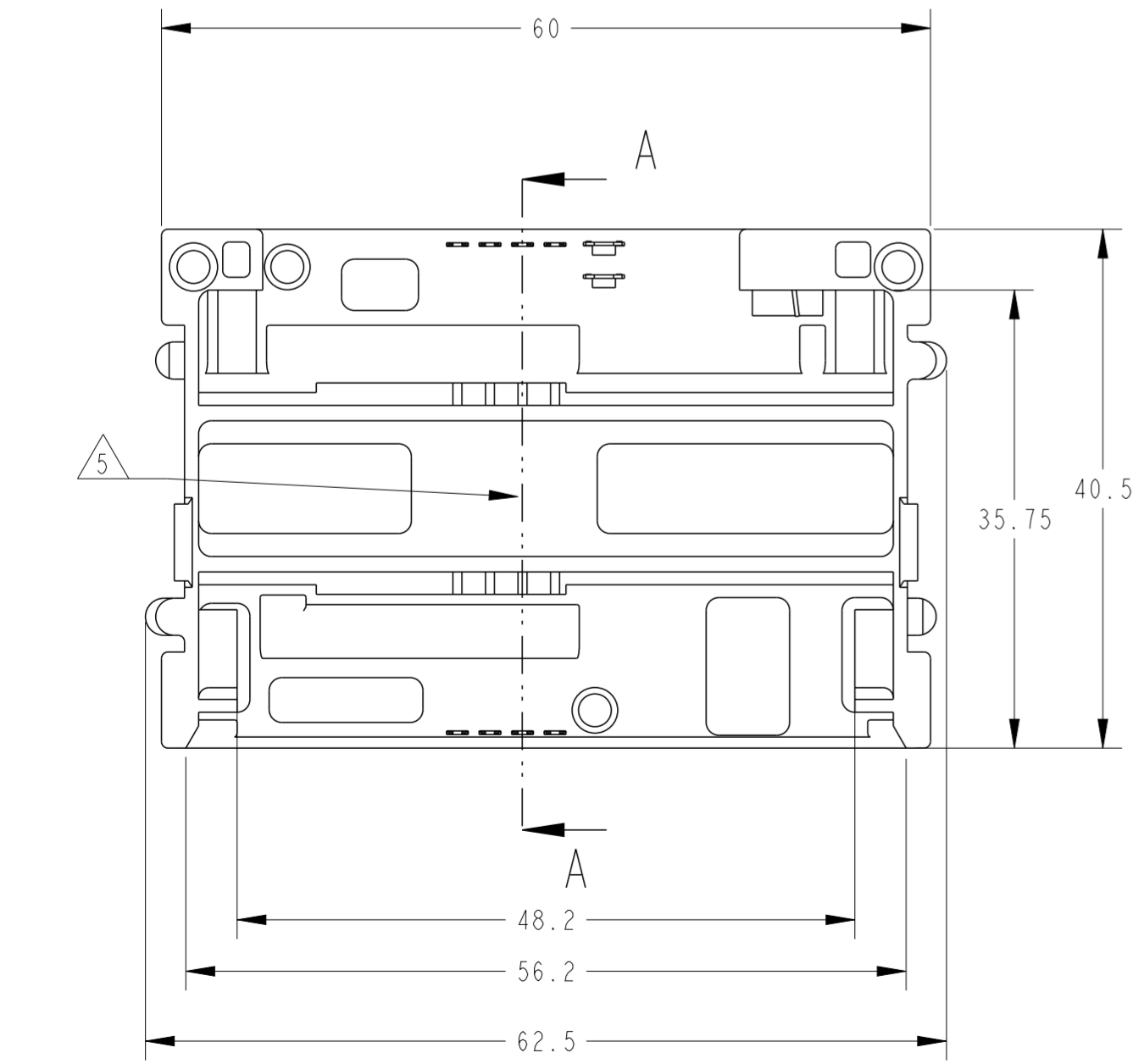
6 DIMENSION APPLICABLE IN CARD CONTACT AREA ONLY SURFACE VARY DEPENDING ON MOLD CAVITY NUMBER



SEE DETAIL F



DETAIL F
SCALE 4:1



SCALE 4:1

SCALE 4:1

CLOSED	2	PartNumber: 2178504-4	8 POSITIONS ISO 7816
CLOSED	1	PartNumber: 2178504-3	8 POSITIONS ISO 7816
OPEN	2	PartNumber: 2178504-2	8 POSITIONS ISO 7816
OPEN	1	PartNumber: 2178504-1	8 POSITIONS ISO 7816
CONTACTS SWITCH	PLATING	PN	POSITION

THIS DRAWING IS A CONTROLLED DOCUMENT.

DWN	GUNA	20DEC2012
CHK	GUNA	20DEC2012
APVD	RAJENDRA	20DEC2012

PRODUCT SPEC: 108-64029
 APPLICATION SPEC

STE TE Connectivity

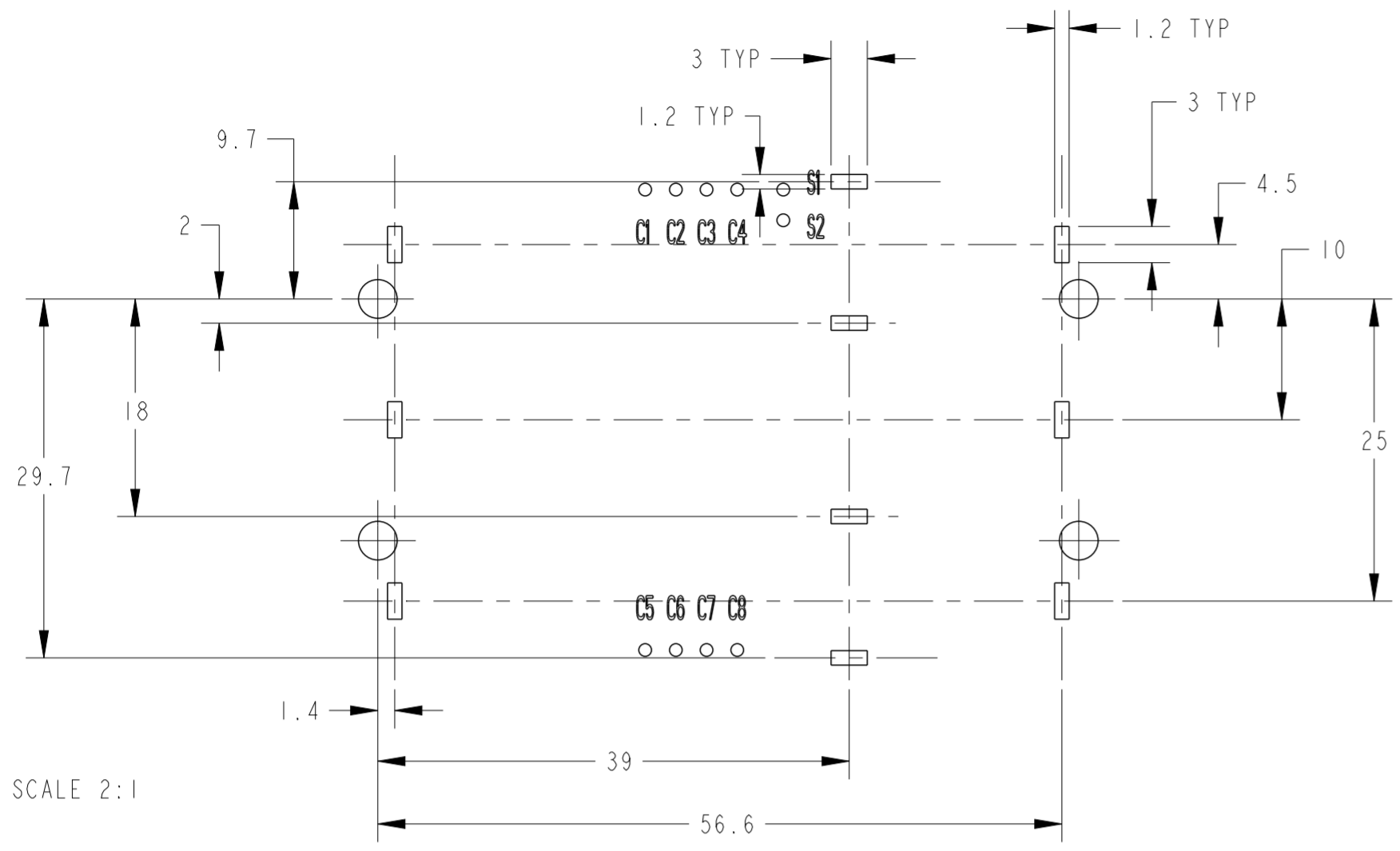
SMART CARD READER 0.76mm, PCB MOUNT THROUGH HOLE, LOW PROFILE BLADE SWITCH NORMALLY OPEN AND CLOSE

SIZE	A2	CAGE CODE		DRAWING NO	G-2178504	RESTRICTED TO	
WEIGHT	9 g	SCALE	2:1	SHEET	1 OF 2	REV	B

CUSTOMER DRAWING

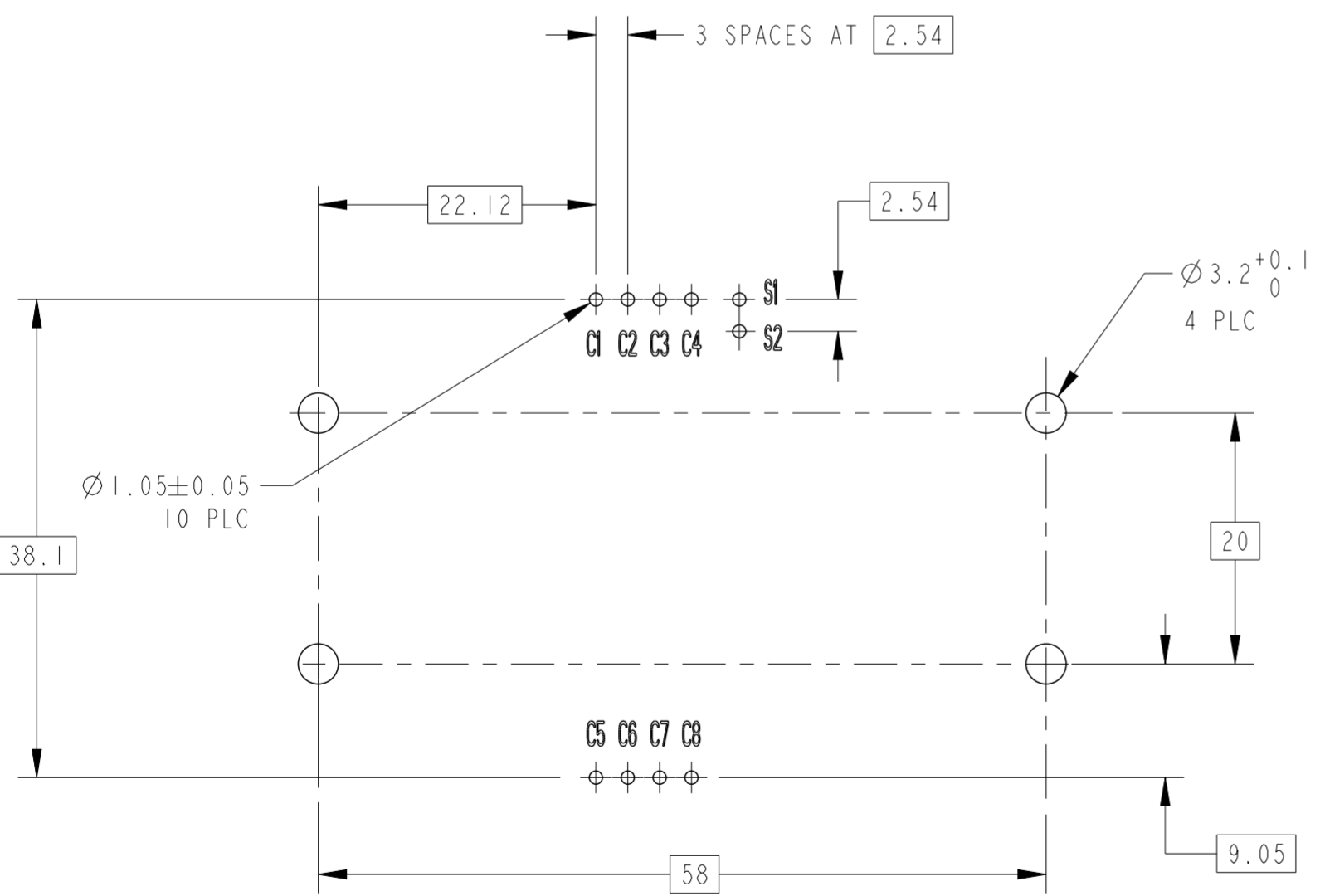
THIS DRAWING IS UNPUBLISHED. RELEASED FOR PUBLICATION
 © COPYRIGHT - ALL RIGHTS RESERVED.

LOC		DIST		REVISIONS			
P	LTR	DESCRIPTION	DATE	DWN	APVD		
-	-	SEE SHEET 1	-	-	-		



SCALE 2:1

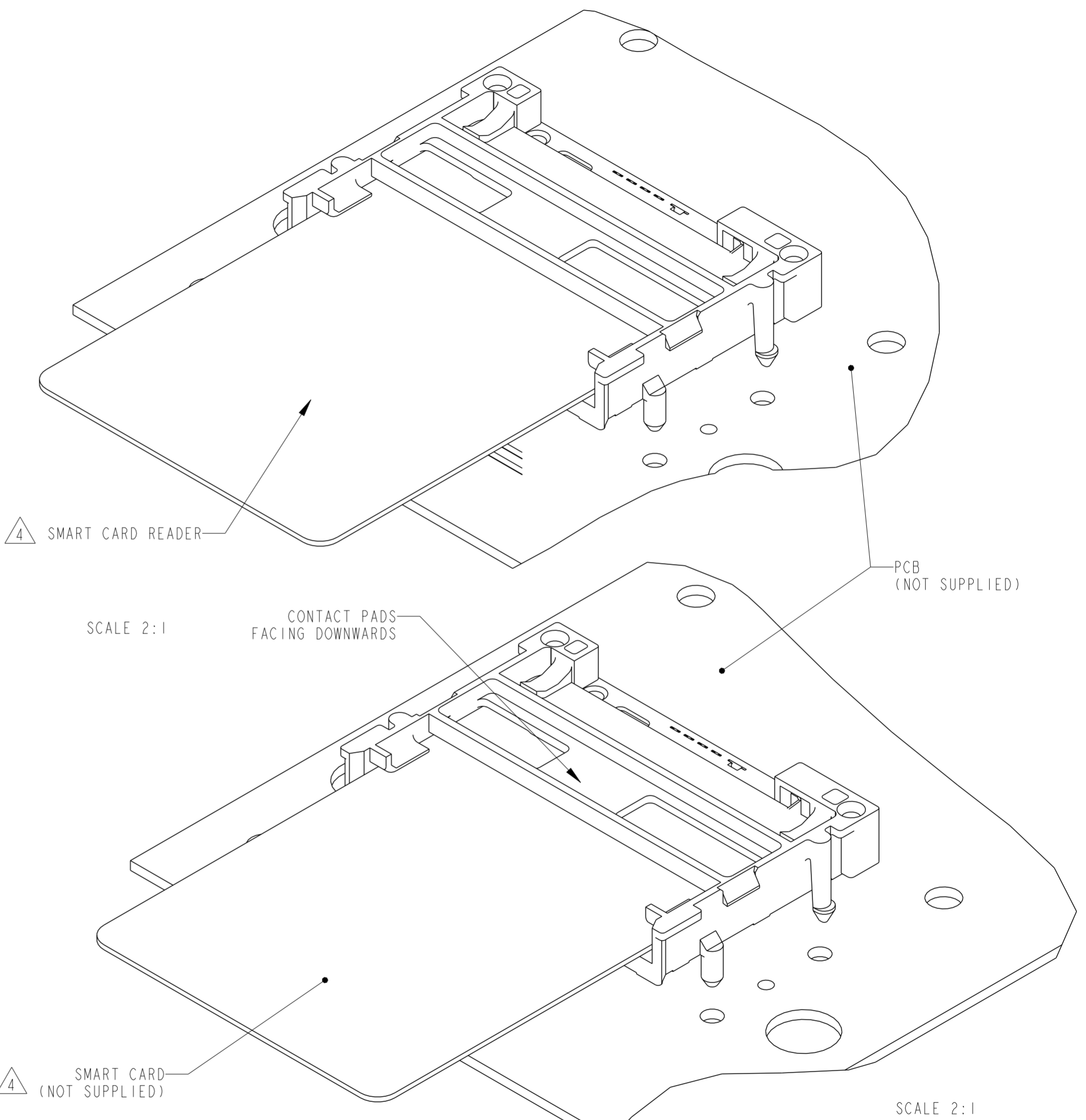
STANDOFF AREA
 SPACE WITHOUT COMPONENTS
 (CONNECTOR SIDE)



POSITION TOLERANCE FOR ALL HOLES $\phi 0.1$

PC BOARD THICKNESS 1.57 ± 0.1 (.062)
 (CONNECTOR SIDE)

RECOMMENDED PCB LAYOUT



SCALE 2:1

PCB MOUNTING CONFIGURATION

THIS DRAWING IS A CONTROLLED DOCUMENT.		DWN	GUNA	28NOV2012	 TE Connectivity
DIMENSIONS:		CHK	GUNA	28NOV2012	
mm		APVD	RAJENDRA	28NOV2012	
TOLERANCES UNLESS OTHERWISE SPECIFIED:		PRODUCT SPEC	108-64029	APPLICATION SPEC	
0 PLC ± 0.5 1 PLC ± 0.3 2 PLC ± 0.03 3 PLC ± 0.001 4 PLC ± 0.0001 ANGLES \pm		WEIGHT	9 g	SIZE	A2
MATERIAL		FINISH		CAGE CODE	G-2178504
		CUSTOMER DRAWING		SCALE	2:1
				SHEET	2 OF 2
				REV	B