

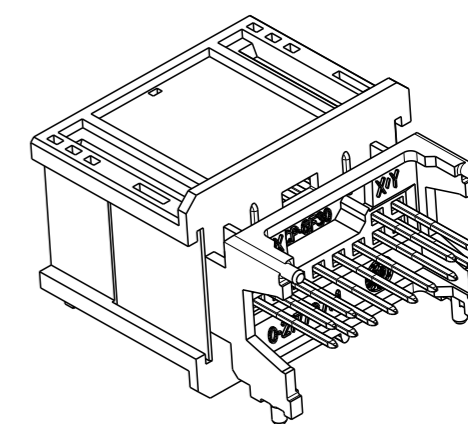
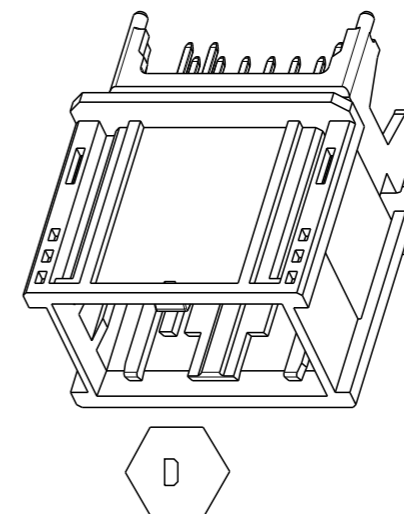
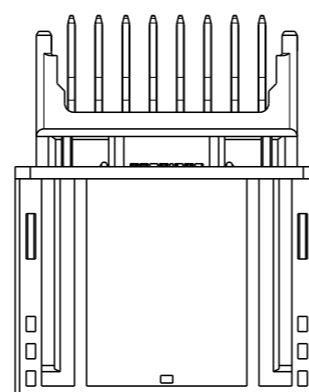
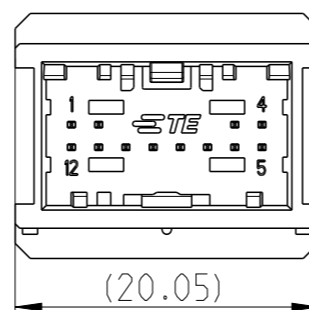
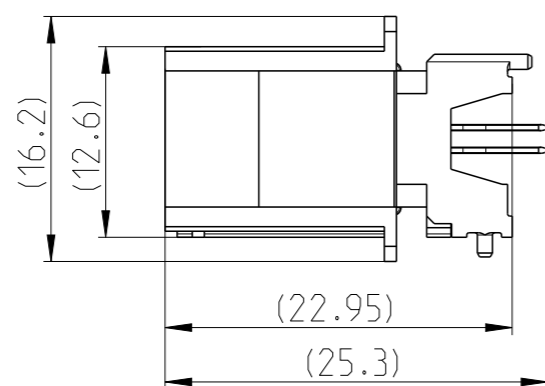
LOC
A1

DIST
-


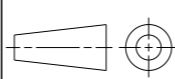
REVISIONS

P	LTR	DESCRIPTION	DATE	DWN	APVD
B		INTERFACE ADAPTION	04JUL2012	N.L.	N.L.
C		pin cavity change, side wall thickening	13NOV2015	Beck	Beck
C1		CAD model adapted to real part	02AUG2016	BREN	BECK
D		modification on coding	100KT2017	Beck	Beck

**FOR ANY PRODUCT AND SAMPELING
RELEVANT REQUIREMENT PLEASE REFER TO:
(C)-114-94160
"PLATFORM PRODUCT DRAWING, HEADERS
FOR NANO-MQS MARKET SERIES"**



**FOR EXAMPLE SHOWN IS
0-2177767-1**

THIS DRAWING IS A CONTROLLED DOCUMENT.		DWN NEUEBRT, L.	12DEC2011	 TE Connectivity	
DIMENSIONS: mm		CHK FRANK, O.	22DEC2011		
TOLERANCES UNLESS OTHERWISE SPECIFIED:		APVD SPIELVOGEL, M.	-	NAME 12POS.TAB 0.5X0.4,HEADER ASSY 180 DEG. THT	
		PRODUCT SPEC		-	
0 PLC ± 1 PLC ± 2 PLC ± 3 PLC ± 4 PLC ± ANGLES ±1°		APPLICATION SPEC		-	
MATERIAL		WEIGHT		SIZE A3	CAGE CODE 00779
FINISH		-		DRAWING NO C-2177767	RESTRICTED TO
Customer Drawing				SCALE 2:1	SHEET 1 OF 1
				REV D	