

LOC A1	DIST -	REVISIONS				
P	LTR	DESCRIPTION	DATE	DWN	APVD	
	A	NEW DRAWING	26SEP2011	GP	GM	

**SEE CUSTOMER DRAWING 2141999**  
**Siehe Kundenzzeichnung 2141999**

2011


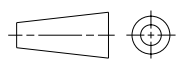
RELEASED FOR PUBLICATION

ALL RIGHTS RESERVED.

Tyco Electronics AMP GmbH

© COPYRIGHT 2011

THIS DRAWING IS UNPUBLISHED.

DIMENSIONS: mm		DWN G.PUCKEL	26SEP2011	MATERIAL -	FINISH -
TOLERANCES UNLESS OTHERWISE SPECIFIED: 0 PLC ± 1 PLC ± 2 PLC ± 3 PLC ± 4 PLC ± ANGLES ±		CHK K.ROTH	26SEP2011	 TE Connectivity	
		APVD -	-		
		PRODUCT SPEC -	NAME 10POS. HYBRID RECEPTACLE HOUSING ASSEMBLY		
		APPLICATION SPEC -	SIZE A 4	CAGE CODE 00779	DRAWING NO C-2177613
WEIGHT -		CUSTOMER DRAWING			SCALE -
			SHEET 1	OF 1	REV A