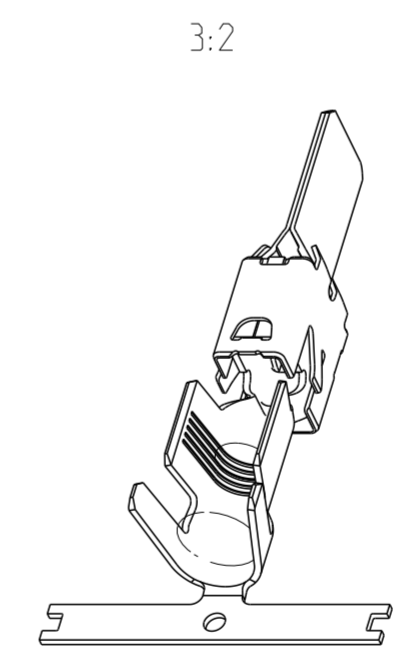
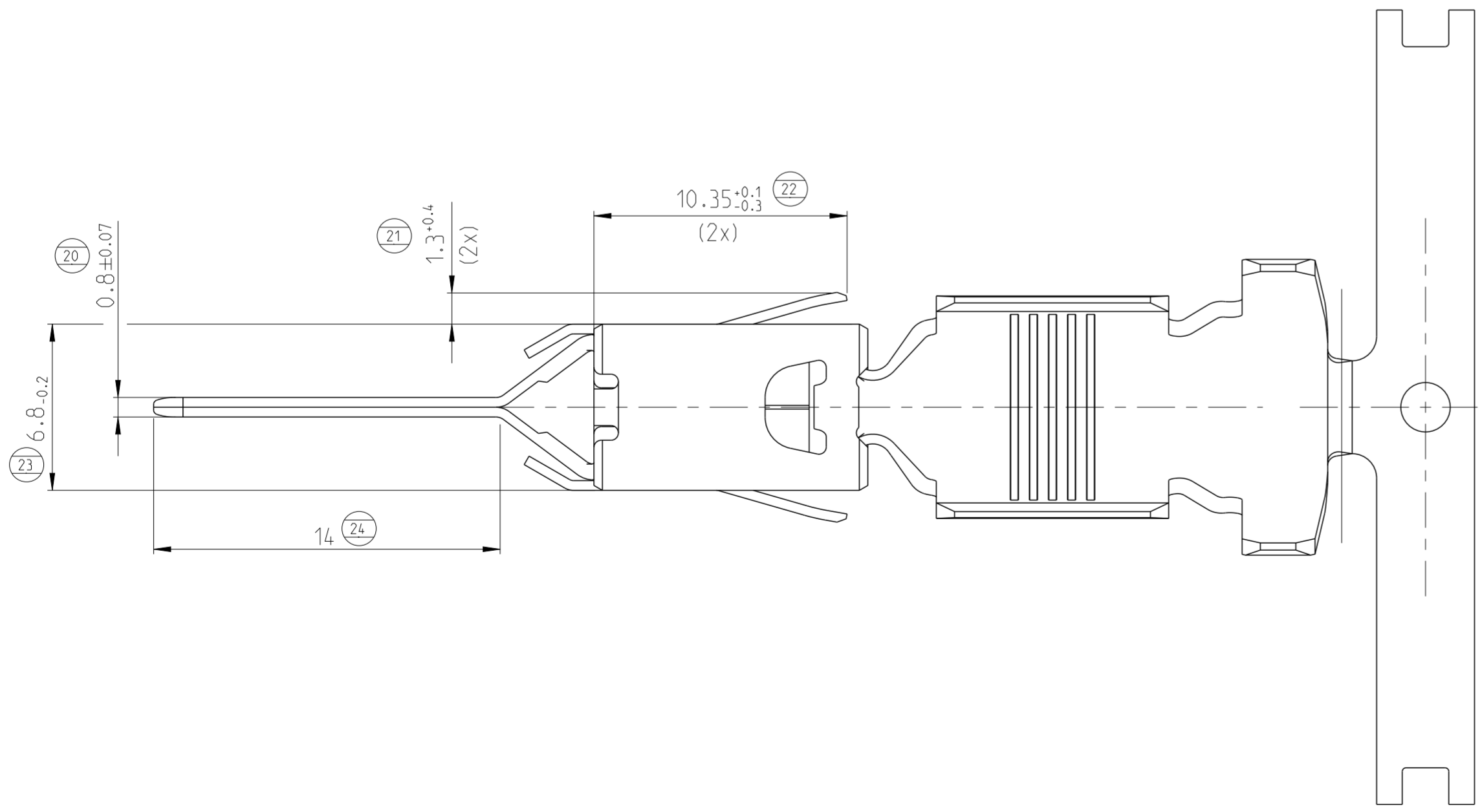
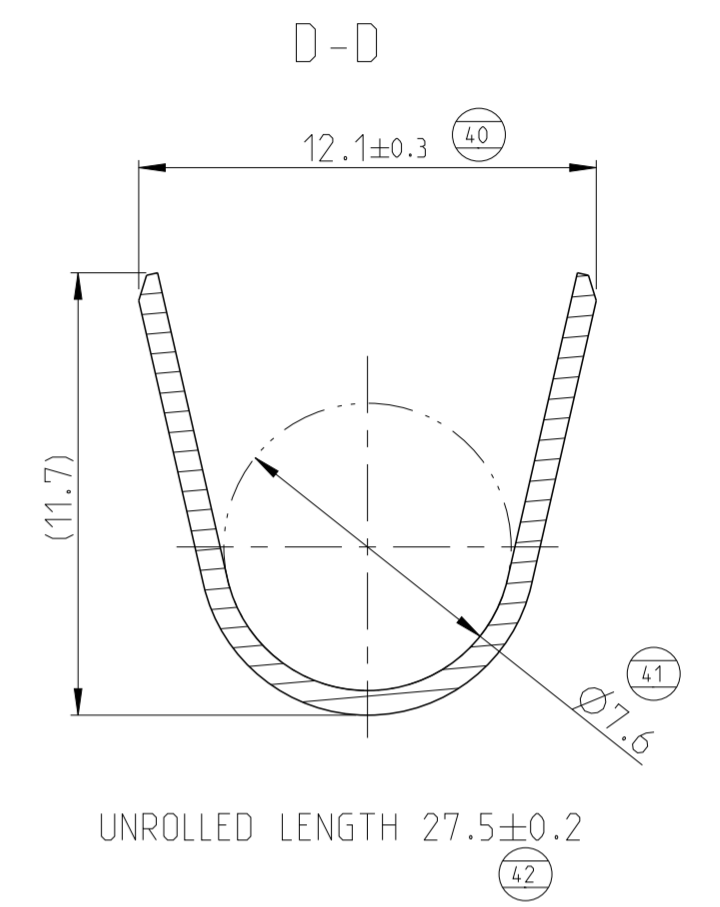
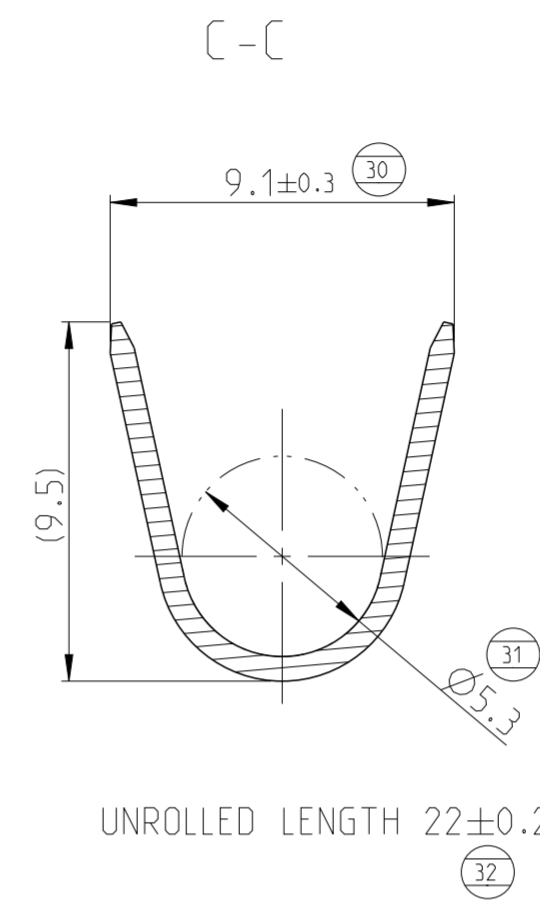
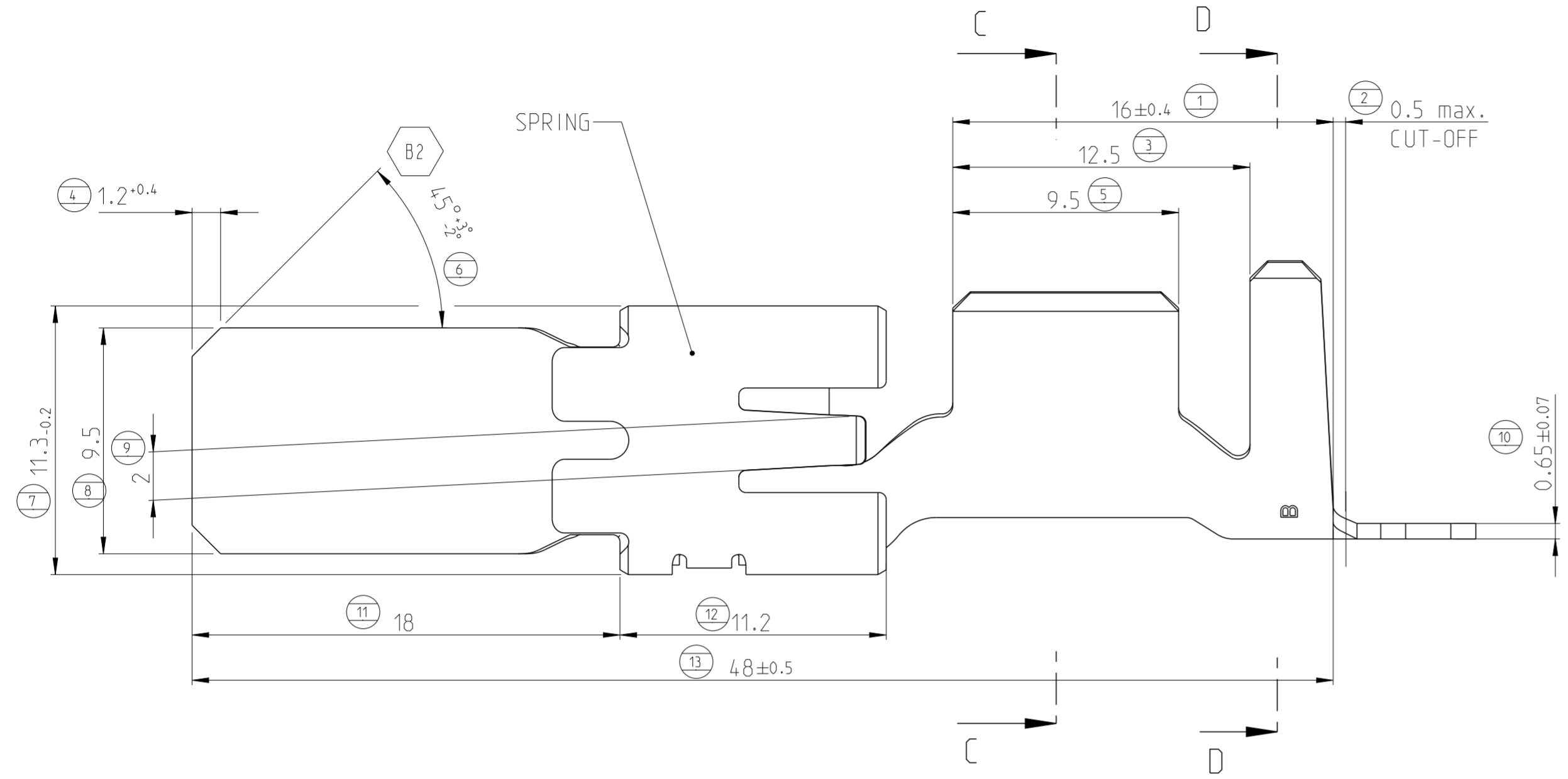


THIS DRAWING IS UNPUBLISHED. RELEASED FOR PUBLICATION 2011
 © COPYRIGHT 2011 Tyco Electronics AMP GmbH ALL RIGHTS RESERVED.

LOC	DIST	REVISIONS					
GT	-	P	LTR	DESCRIPTION	DATE	DWN	APVD
		A		NEW DRAWING	17MAY2011	MP	PS
		B		RAW MATERIAL FORM CHANGE	17OCT2011	MP	VC
		B1		SPECIFICATIONS ADDING	05MAR2012	MP	VC
		B2		PRODUCTION SPECIFICATION NUMBER CHANGE	07NOV2013	MP	PS1



- NOTES:**
- 1 WIRE RANGE >10 - 16 mm²
 - 2 INSULATION RANGE Ø7.0 - Ø8.1
 - 3 BODY SURFACE PLATING: PRETINNED
SPRING SURFACE: NONE

0-2177213-1 AS SHOWN
wie gezeichnet

THIS DRAWING IS A CONTROLLED DOCUMENT.		DWN	17MAY2011		
		CHK	20MAY2011		
		APVD	24MAY2011		
		NAME	M. Pavlicek		
		NAME	P. Straka		
		NAME	V. Cech		
		PRODUCT SPEC	108-94417		
		APPLICATION SPEC	114-94179		
		WEIGHT (g)	6.61		
		Customer Drawing			

PRETINNED	CuSn0.15	2177213-1	B
LP	FINISH	MATERIAL	PART NO REV

TE Connectivity	
SIZE	TAB 9.5x0.8 mm
CAGE CODE	-
DRAWING NO	-
RESTRICTED TO	-
SCALE	5:1
SHEET	1 OF 1
REV	B2