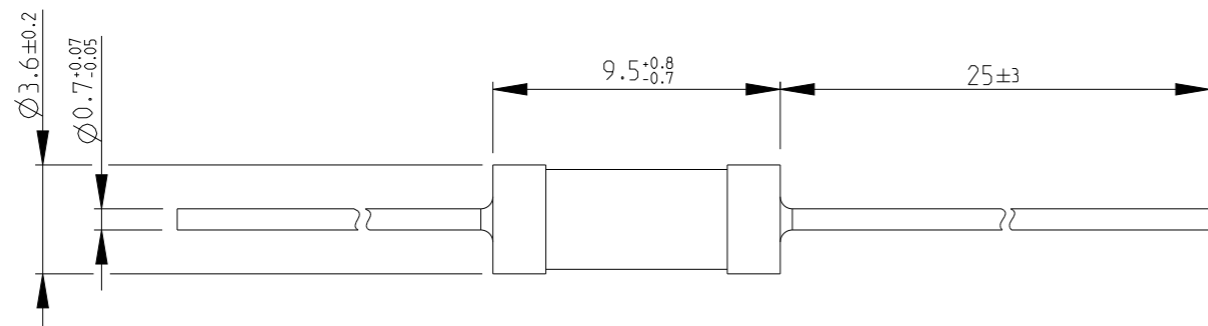


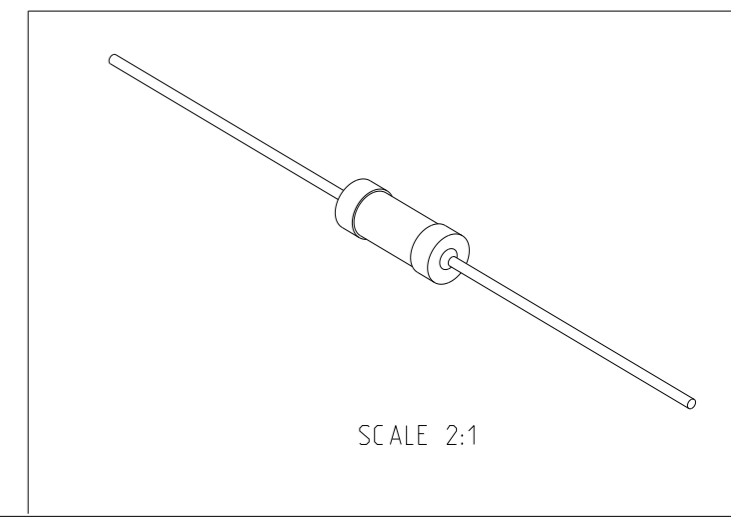
REVISIONS

| P | LTR | DESCRIPTION             | DATE      | DWN | APVD |
|---|-----|-------------------------|-----------|-----|------|
|   | BA  | INITIAL DRAWING RELEASE | 19OCT2022 | DM  | AP   |
|   |     |                         |           |     |      |
|   |     |                         |           |     |      |

FOR FURTHER INFORMATION SEE DATA SHEET FOR CBT SERIES-CARBON COMPOSITION RESISTORS



RoHS Compliant




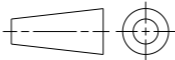
|   |  |                               |   |                    |                         |
|---|--|-------------------------------|---|--------------------|-------------------------|
| THIS DRAWING IS A CONTROLLED DOCUMENT.                                  |  | DWN<br>DHEERAJ M<br>19OCT2022 |   |                    |                         |
| DIMENSIONS:<br>mm   |  | CHK<br>A. PILE<br>19OCT2022   |   |                    |                         |
| TOLERANCES UNLESS OTHERWISE SPECIFIED:                                  |  | APVD<br>A. PILE<br>19OCT2022  | NAME<br>CARBON COMPOSITION RESISTORS<br>TYPE CBT50 SERIES |                    |                         |
|   |  | PRODUCT SPEC                  | APPLICATION SPEC  |                    |                         |
| 0 PLC ±0.2<br>1 PLC ±0.1<br>2 PLC ±<br>3 PLC ±<br>4 PLC ±<br>ANGLES ±5° |  | WEIGHT                        | SIZE<br>A3  | CAGE CODE<br>00779 | DRAWING NO<br>C=2176547 |
| MATERIAL  |  | FINISH                        | RESTRICTED TO<br>-  |                    |                         |
| CUSTOMER DRAWING  |  |                               | SCALE<br>4:1  | SHEET<br>1 OF 2    | REV<br>BA               |

REVISIONS

| P | LTR | DESCRIPTION | DATE | DWN | APVD |
|---|-----|-------------|------|-----|------|
| - |     | SEE SHEET 1 | -    | -   | -    |
|   |     |             |      |     |      |
|   |     |             |      |     |      |

SCHEDULE

| TCPN        | CATALOGUE NUMBER | PART DESCRIPTION      | PART STATUS |
|-------------|------------------|-----------------------|-------------|
| 2176547-1   | CBT50K1R0        | CBT 1/2 10% 1R0       | PRODUCTION  |
| 2176547-2   | CBT50K1R5        | CBT 1/2 10% 1R5       | PRODUCTION  |
| 2176547-3   | CBT50K2R2        | CBT 1/2 10% 2R2       | PRODUCTION  |
| 2176547-4   | CBT50K3R3        | CBT 1/2 10% 3R3       | PRODUCTION  |
| 2176547-5   | CBT50K4R7        | CBT 1/2 10% 4R7       | PRODUCTION  |
| 2176547-6   | CBT50K6R8        | CBT 1/2 10% 6R8       | PRODUCTION  |
| 2176547-7   | CBT50K10R        | CBT 1/2 10% 10R       | PRODUCTION  |
| 2176547-8   | CBT50K15R        | CBT 1/2 10% 15R       | PRODUCTION  |
| 2176547-9   | CBT50K22R        | CBT 1/2 10% 22R       | PRODUCTION  |
| 1-2176547-0 | CBT50K27R        | CBT 1/2 10% 27R       | PRODUCTION  |
| 1-2176547-1 | CBT50K33R        | CBT 1/2 10% 33R       | PRODUCTION  |
| 1-2176547-2 | CBT50K47R        | CBT 1/2 10% 47R       | PRODUCTION  |
| 1-2176547-3 | CBT50K56R        | CBT 1/2 10% 56R       | PRODUCTION  |
| 1-2176547-4 | CBT50K68R        | CBT 1/2 10% 68R       | PRODUCTION  |
| 1-2176547-5 | CBT50K150R       | CBT 1/2 10% 150R      | PRODUCTION  |
| 1-2176547-6 | CBT50K220RB      | CBT 1/2 10% 220R BULK | PRODUCTION  |
| 1-2176547-7 | CBT50K330R       | CBT 1/2 10% 330R      | PRODUCTION  |
| 1-2176547-8 | CBT50K390R       | CBT 1/2 10% 390R      | PRODUCTION  |
| 1-2176547-9 | CBT50K470R       | CBT 1/2 10% 470R      | PRODUCTION  |
| 2-2176547-0 | CBT50K820R       | CBT 1/2 10% 820R      | PRODUCTION  |
| 2-2176547-1 | CBT50K1K0        | CBT 1/2 10% 1K0       | PRODUCTION  |
| 2-2176547-2 | CBT50K1K5        | CBT 1/2 10% 1K5       | PRODUCTION  |
| 2-2176547-3 | CBT50K2K2        | CBT 1/2 10% 2K2       | PRODUCTION  |
| 2-2176547-4 | CBT50K4K7        | CBT 1/2 10% 4K7       | PRODUCTION  |
| 2-2176547-5 | CBT50K6K8        | CBT 1/2 10% 6K8       | PRODUCTION  |
| 2-2176547-6 | CBT50K10K        | CBT 1/2 10% 10K       | PRODUCTION  |
| 2-2176547-7 | CBT50K22K        | CBT 1/2 10% 22K       | PRODUCTION  |
| 2-2176547-8 | CBT50K33K        | CBT 1/2 10% 33K       | PRODUCTION  |
| 2-2176547-9 | CBT50K47K        | CBT 1/2 10% 47K       | PRODUCTION  |
| 3-2176547-0 | CBT50K68K        | CBT 1/2 10% 68K       | PRODUCTION  |

|   |  |                               |   |                    |
|---|--|-------------------------------|---|--------------------|
| THIS DRAWING IS A CONTROLLED DOCUMENT.  |  | DWN<br>DHEERAJ M<br>19OCT2022 |  TE Connectivity |                    |
| DIMENSIONS:<br>mm   |  | CHK<br>A. PILE<br>19OCT2022   |   |                    |
|  |  | APVD<br>A. PILE<br>19OCT2022  | NAME<br>CARBON COMPOSITION RESISTORS<br>TYPE CBT50 SERIES   |                    |
| TOLERANCES UNLESS OTHERWISE SPECIFIED:  |  | PRODUCT SPEC                  | APPLICATION SPEC  |                    |
| 0 PLC ±0.2<br>1 PLC ±0.1<br>2 PLC ±<br>3 PLC ±<br>4 PLC ±<br>ANGLES ±5°               |  | WEIGHT                        | SIZE<br>A3  | CAGE CODE<br>00779 |
| MATERIAL  |  | FINISH                        | DRAWING NO<br>C=2176547   | RESTRICTED TO<br>- |
| CUSTOMER DRAWING  |  |                               | SCALE<br>4:1  | SHEET<br>2 OF 2    |
|   |  |                               | REV<br>BA   |                    |