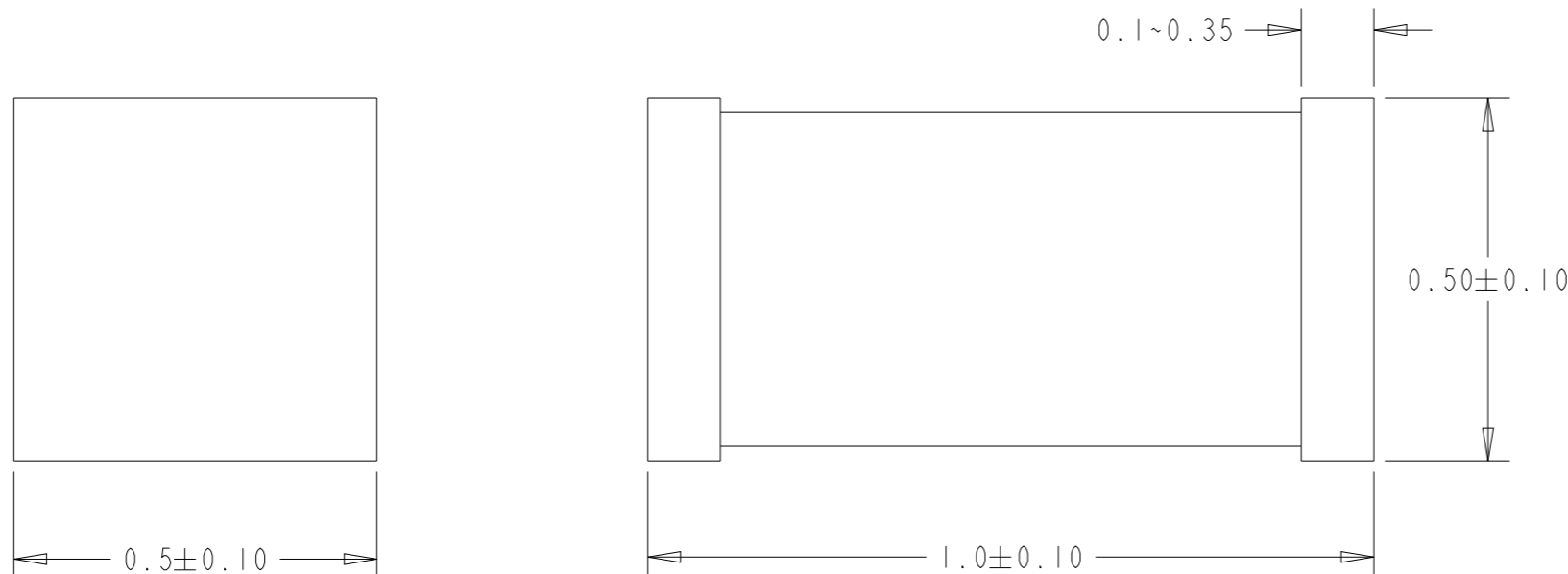


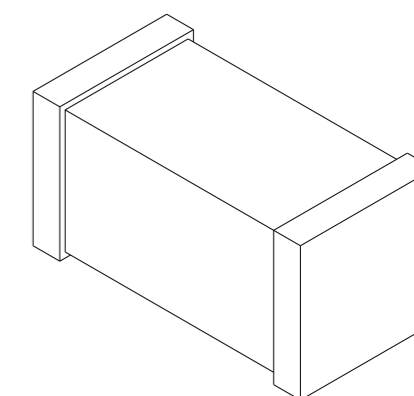
REVISIONS

P	LTR	DESCRIPTION	DATE	DWN	APVD
	A	INITIAL RELEASE	05APR2022	DM	AP
	A1	DRAWING RELEASED	08APR2022	DM	AP



FOR FURTHER INFORMATION SEE DATA SHEET OF BMC SERIES

Complete TIN	Product Number	Material Description
2176500-1	BMCIEY0022HN	BMC 0402 22R 25% H GEN C
2176500-2	BMCIEY0047HN	BMC 0402 47R 25% H GEN C
2176500-3	BMCIEY0075HN	BMC 0402 75R 25% H GEN C



SCALE 50:1

THIS DRAWING IS A CONTROLLED DOCUMENT.		DWN DHEERAJ M	05APR2022				
DIMENSIONS: mm		CHK ALLAN P	05APR2022				
		APVD ALLAN P	05APR2022				
TOLERANCES UNLESS OTHERWISE SPECIFIED:		PRODUCT SPEC	-				
0 PLC ±- 1 PLC ±0.5 2 PLC ±0.13 3 PLC ±0.013 4 PLC ±0.0001 ANGLES ±-		APPLICATION SPEC	-	NAME Multilayer Ferrite Beads Type BMC0402 HN configuration			
MATERIAL -		FINISH -	WEIGHT -	SIZE A3	CAGE CODE 00779	DRAWING NO C-2176500	RESTRICTED TO -
CUSTOMER DRAWING				SCALE 100:1	SHEET 1 OF 1	REV A1	