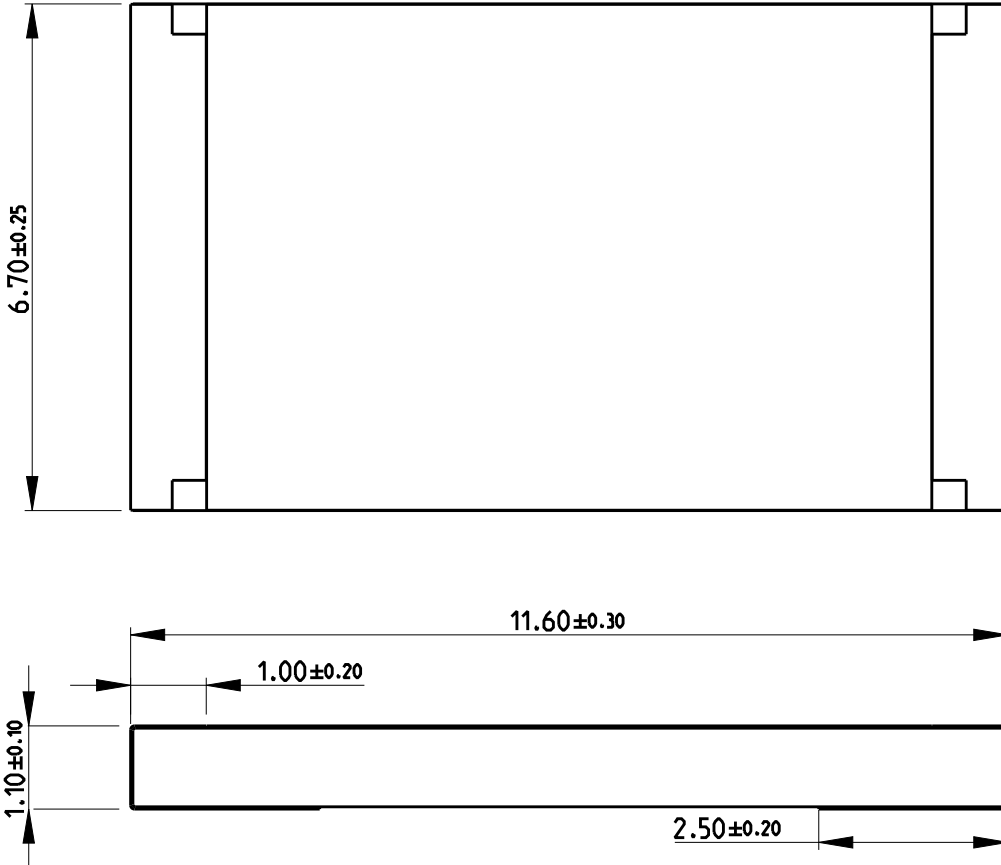


REVISIONS

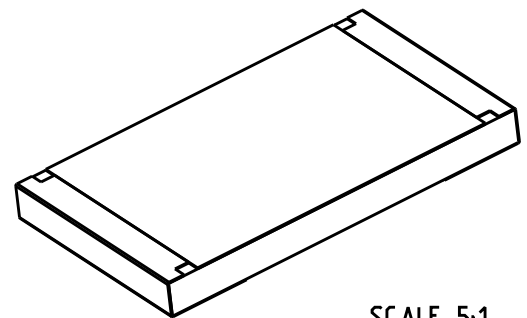
P	LTR	DESCRIPTION	DATE	DWN	APVD
A		NEW DRAWING	230CT2018	SR	AP



NOTES:

- FOR FURTHER INFORMATION SEE DATA SHEET FOR 3560 SERIES SMD HIGH POWER RESISTOR

RoHS Compliant




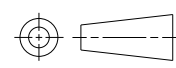
SCALE 5:1

RELEASED FOR PUBLICATION

ALL RIGHTS RESERVED.

THIS DRAWING IS UNPUBLISHED.

© COPYRIGHT copyright_date BY -

DIMENSIONS:		DWN SUPREETH R	230CT2018	MATERIAL	-	FINISH	-
mm		CHK ALLAN.P	230CT2018	 TE Connectivity			
TOLERANCES UNLESS OTHERWISE SPECIFIED:		APVD ALLAN.P	230CT2018				
0 PLC	±0.5	PRODUCT SPEC	-	NAME SMD HIGH POWER RESISTOR TYPE			
1 PLC	±0.2	APPLICATION SPEC	-	3560 SERIES			
2 PLC	±0.1	WEIGHT	-	SIZE	CAGE CODE	DRAWING NO	RESTRICTED TO
3 PLC	±			A4	00779	C-2176408	-
4 PLC	±						
ANGLES	±5°			SCALE 10:1			SHEET 1 OF 1
		CUSTOMER DRAWING					REV A