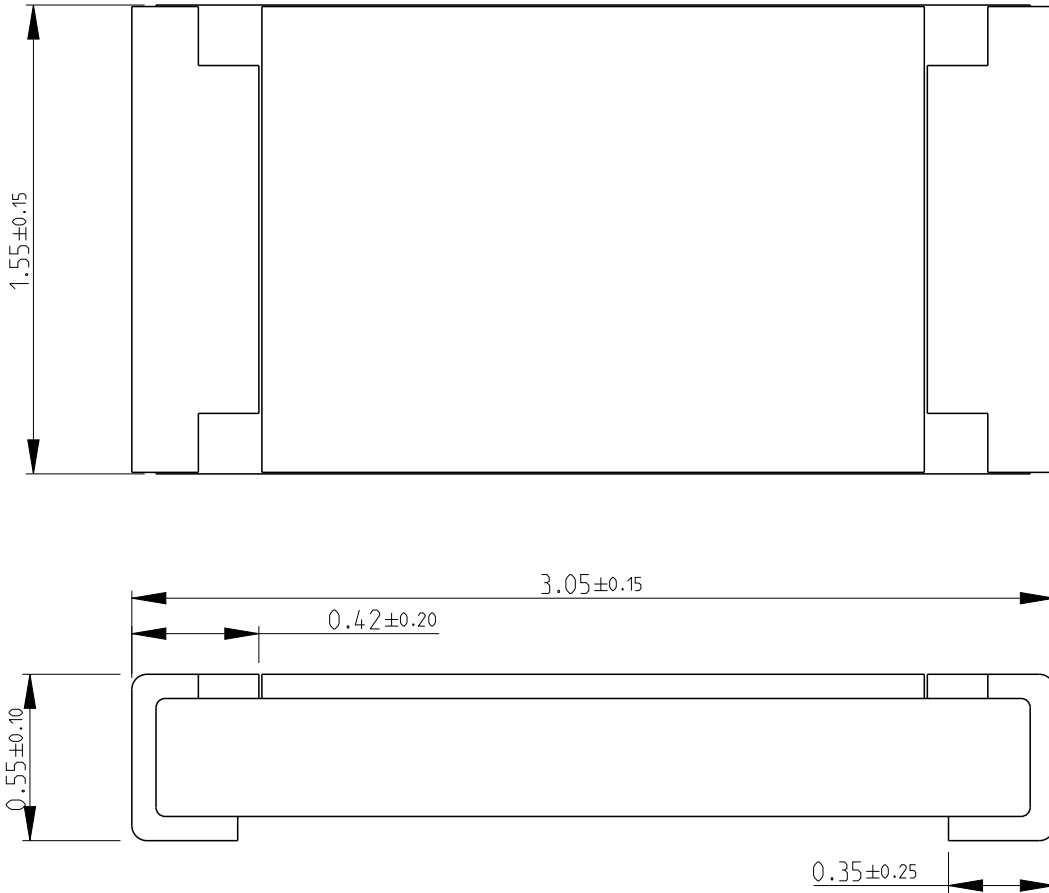


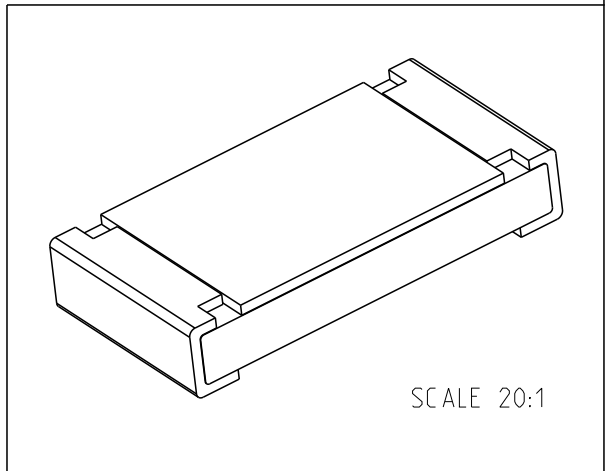
| REVISIONS | | | | | |
|-----------|-----|---------------|-----------|-----|------|
| P | LTR | DESCRIPTION | DATE | DWN | APVD |
| | A | NEW DRAWING | 21MAY2018 | GCM | AP |
| | B | ECR-20-007413 | 28MAY2020 | SR | AP |
| | | | | | |
| | | | | | |



NOTES:

- FOR FURTHER INFORMATION SEE DATA SHEET FOR RQ73 SERIES AEC-Q200 THIN FILM PRECISION RESISTORS.

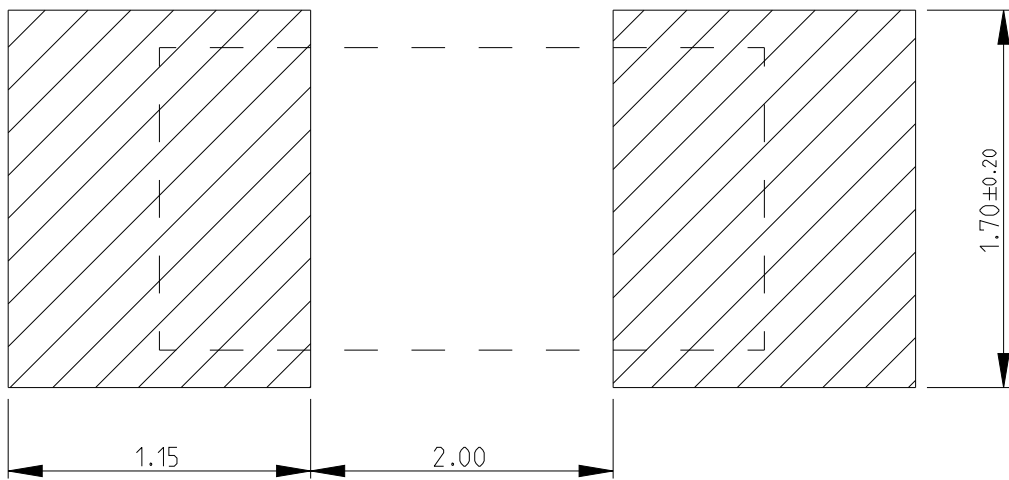
RoHS Compliant



© 2020 TE Connectivity. All Rights Reserved.

| | | | | | | |
|--|-------------------|--------------|------------------|---|------------|---------------|
| DIMENSIONS: mm | DWN GANESH C M | 21MAY2018 | MATERIAL | - | FINISH | - |
| | CHK ALLAN.P | 21MAY2018 | | | | |
| TOLERANCES UNLESS OTHERWISE SPECIFIED: | APVD ALLAN.P | 21MAY2018 | | | | |
| | 0 PLC ±0.5 | PRODUCT SPEC | | NAME SMD Thin Film Precision Resistors - AEC-Q200 Compliant - Type RQ73 1206 Series | | |
| 1 PLC ±0.2 | - | | SIZE | CAGE CODE | DRAWING NO | RESTRICTED TO |
| 2 PLC ±0.1 | APPLICATION SPEC | | A 4 | 00779 | C=2176390 | |
| 3 PLC ± | - | | CUSTOMER DRAWING | | | |
| 4 PLC ± | WEIGHT | | SCALE | | SHEET | REV |
| ANGLES 5° | - | | 40:1 | | 1 OF 2 | B |

| REVISIONS | | | | | |
|-----------|-----|-------------|------|-----|------|
| P | LTR | DESCRIPTION | DATE | DWN | APVD |
| - | | SEE SHEET 1 | - | - | - |
| | | | | | |
| | | | | | |



RECOMMENDED LAND PATTERN

© 2020 TE Connectivity. All Rights Reserved.

| | | | | | | | | |
|--|--|------------------|------------------|--|--------|-----------|------------|---------------|
| DIMENSIONS: | | DWN | 21MAY2018 | MATERIAL | FINISH | | | |
| mm | | GANESH C M | | - | - | | | |
| TOLERANCES UNLESS OTHERWISE SPECIFIED: | | CHK | 21MAY2018 | | | | | |
| | | ALLAN.P | | | | | | |
| 0 PLC ±0.5 1 PLC ±0.2 2 PLC ±0.1 3 PLC ± 4 PLC ± ANGLES ±5° | | APVD | 21MAY2018 | NAME SMD Thin Film Precision Resistors - AEC-Q200 Compliant - Type RQ73 1206 Series | | | | |
| | | ALLAN.P | | | | | | |
| | | PRODUCT SPEC | | - | SIZE | CAGE CODE | DRAWING NO | RESTRICTED TO |
| | | APPLICATION SPEC | | - | A 4 | 00779 | C=2176390 | |
| WEIGHT | | - | CUSTOMER DRAWING | | | | SCALE NTS | |
| | | | | SHEET | 2 OF 2 | REV B | | |