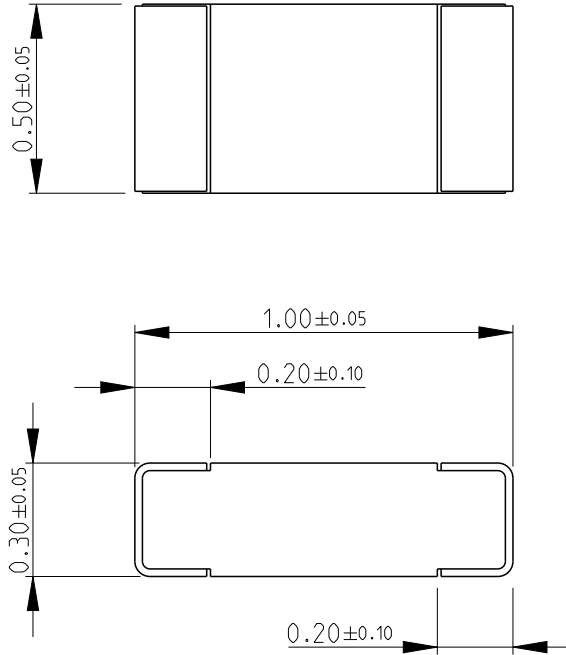
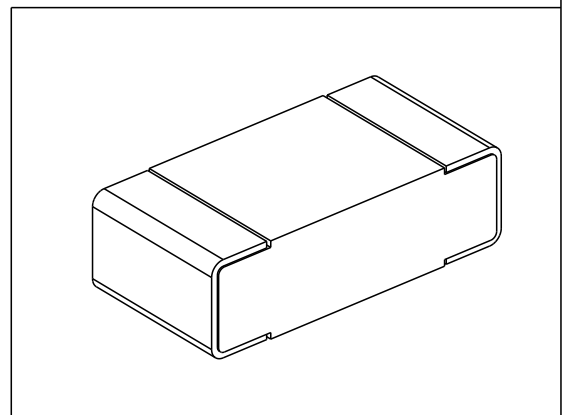


REVISIONS					
P	LTR	DESCRIPTION	DATE	DWN	APVD
	A	NEW RELEASE	30MAY2019	SR	AP

FOR FURTHER INFORMATION SEE DATA SHEET FOR
SMD HIGH POWER PRECISION RESISTORS TYPE RP73 SERIES



RoHS Compliant



2008


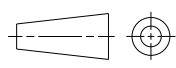
RELEASED FOR PUBLICATION

ALL RIGHTS RESERVED.

BY -

© COPYRIGHT 2008

THIS DRAWING IS UNPUBLISHED.

DIMENSIONS:		DWN	30MAY2019	MATERIAL	-	FINISH	-
mm		SUPREETH R		 TE Connectivity			
TOLERANCES UNLESS OTHERWISE SPECIFIED:		CHK	30MAY2019				
0 PLC	± 0.2	A. PILE		NAME THIN FILM HIGH POWER PRECISION CHIP RESISTOR SERIES RP73 0402			
1 PLC	± 0.1	APVD	30MAY2019				
2 PLC	\pm	A. PILE		SIZE	CAGE CODE	DRAWING NO	RESTRICTED TO
3 PLC	\pm	PRODUCT SPEC	-	A 4	00779	C-2176309	-
4 PLC	\pm	APPLICATION SPEC	-	CUSTOMER DRAWING			
ANGLES	$\pm 5^\circ$	WEIGHT	-	SCALE	NTS	SHEET	1 OF 1
						REV	A