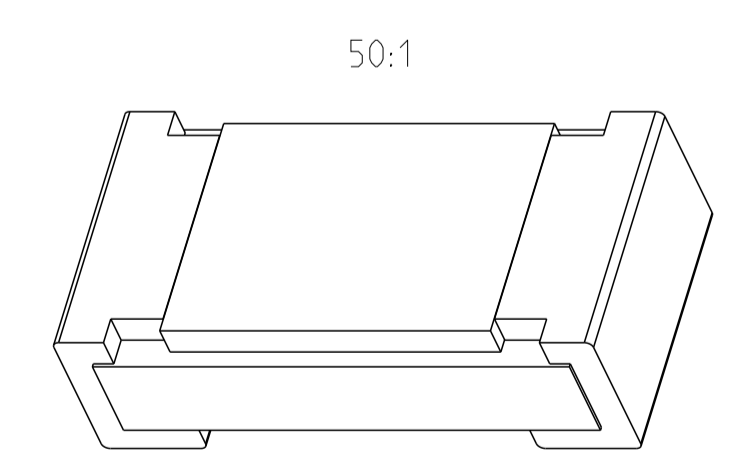
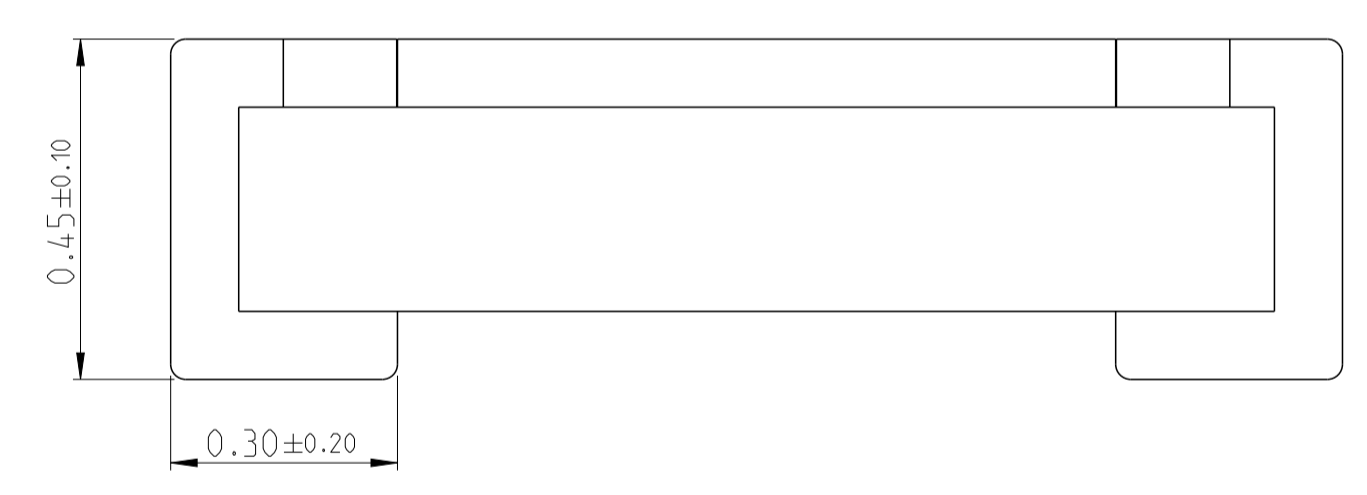
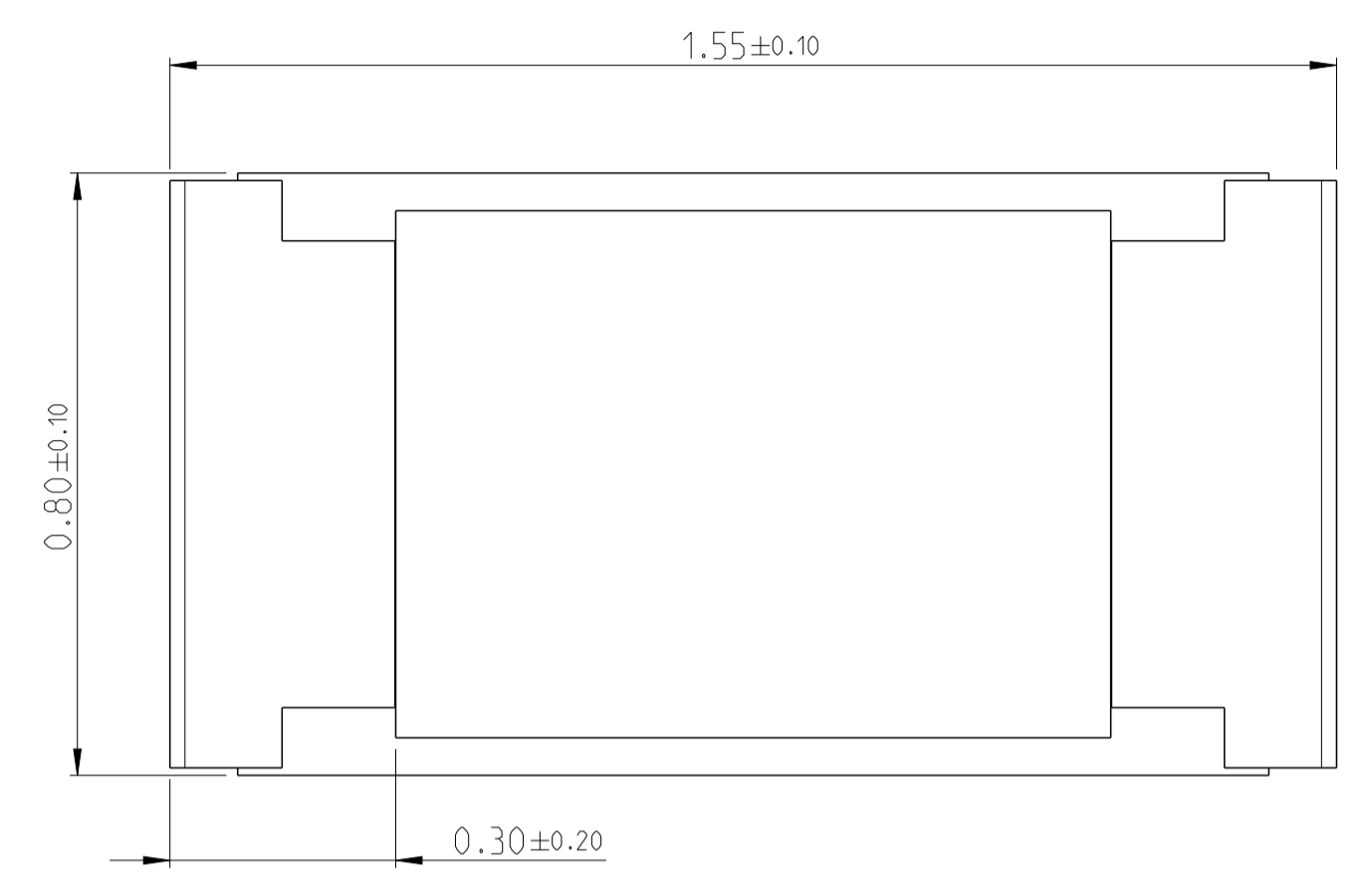


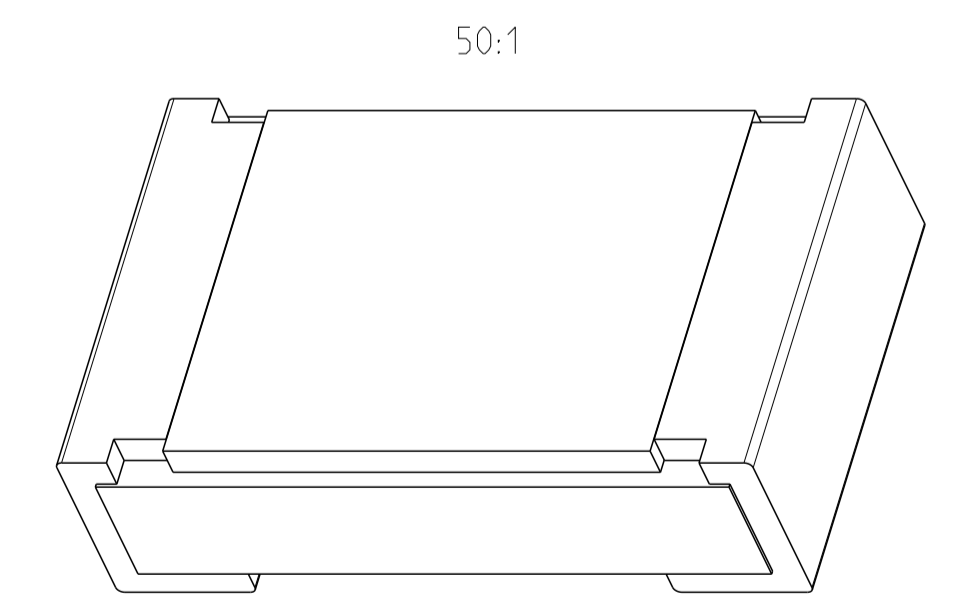
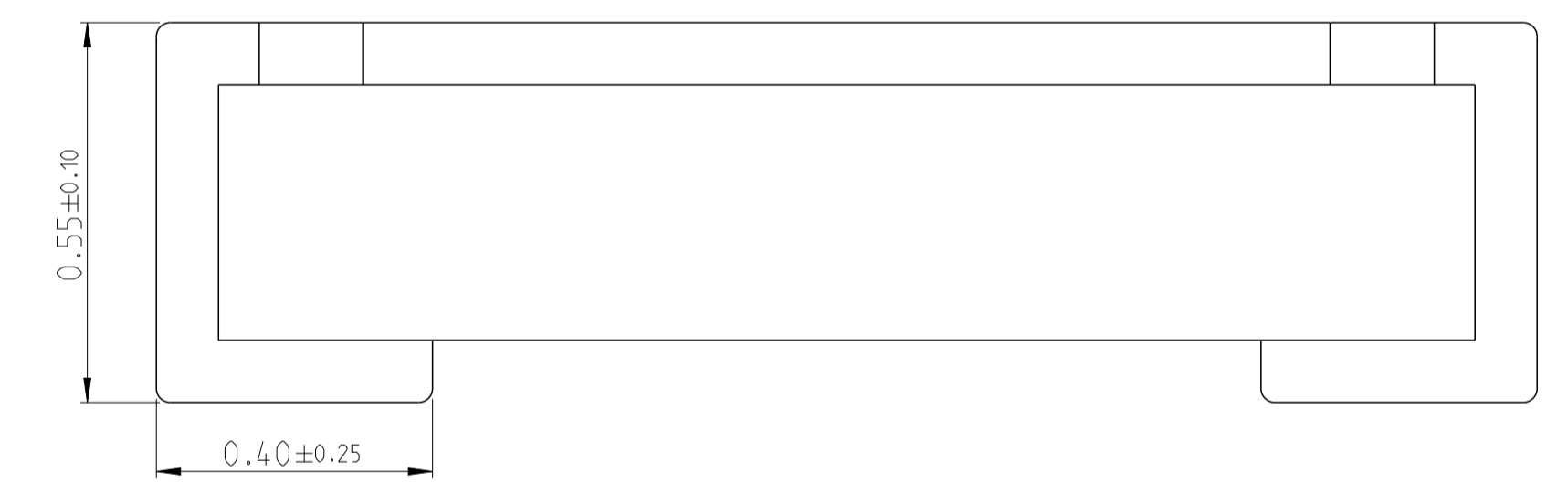
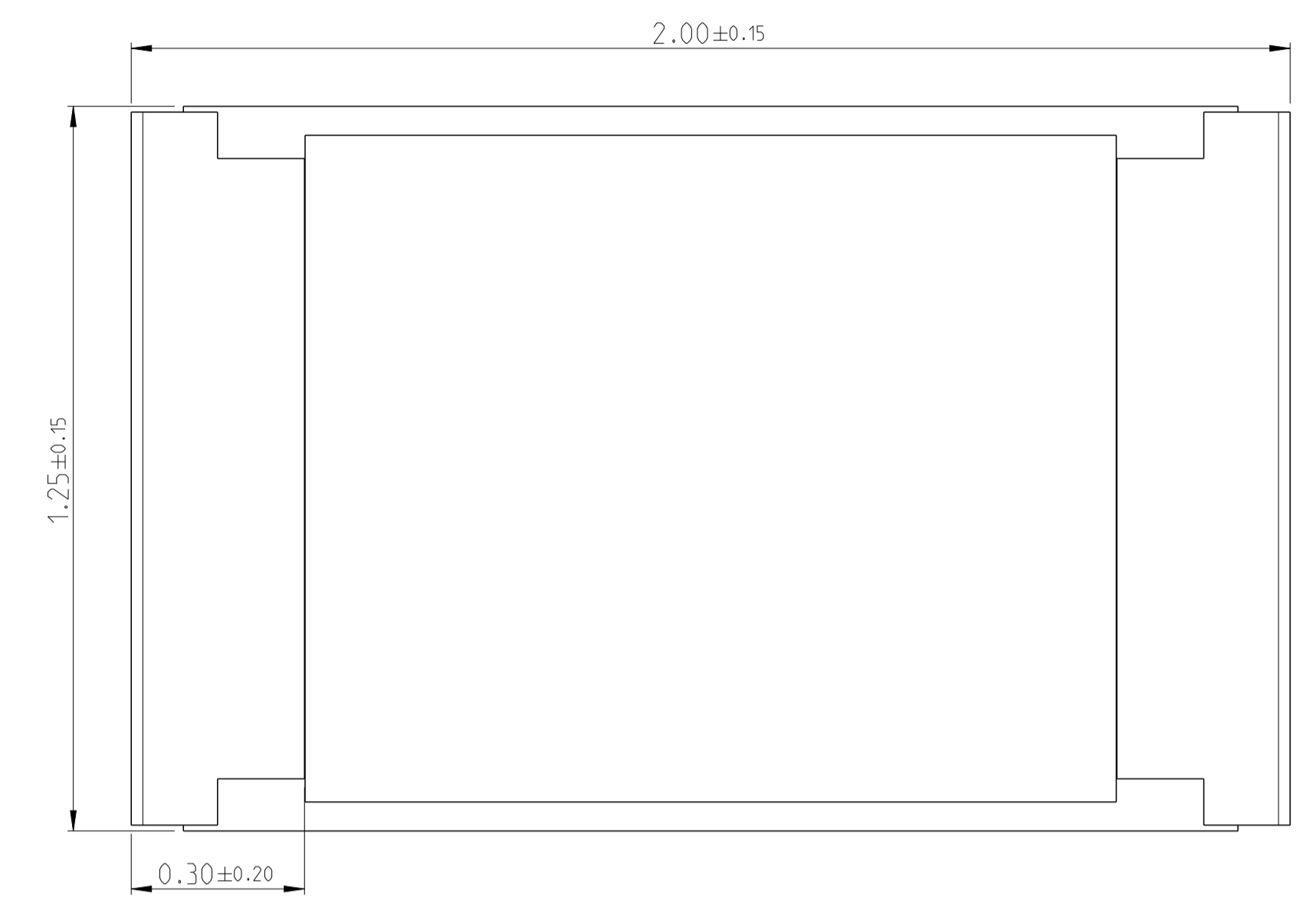
REVISIONS					
P	LTN	DESCRIPTION	DATE	DMN	APVD
	BA	NEW DRAWING	2MAY2015	KR	TN



RoHS Compliant

FOR FURTHER INFORMATION SEE DATA SHEET FOR
 SMD HIGH POWER PRECISION RESISTORS - RP73 SERIES

AS SHOWN RP73P 0603 SERIES



AS SHOWN RP73P 0805 SERIES

THIS DRAWING IS A CONTROLLED DOCUMENT.		DMN RAGHAVENDRA K 2MAY2015	TE Connectivity	
DIMENSIONS:		CHK ALLAN P 2MAY2015		
mm	TOLERANCES UNLESS OTHERWISE SPECIFIED:	APVD TONY N 2MAY2015	NAME HIGH POWER PRECISION CHIP RESISTOR RP73P LABORATORY KITS	RESTRICTED TO
0 PLC	±	PRODUCT SPEC	SIZE	
1 PLC	±0.5	APPLICATION SPEC	CAGE CODE	
2 PLC	±0.13	WEIGHT	DRAWING NO	
3 PLC	±0.013	Customer Drawing	©=2176192	
4 PLC	±0.0001	SCALE	100:1	
ANGLES	±	SHEET	1	
FINISH		OF	7	
MATERIAL		REV	BA	

KIT RP73PIJ-LAB-KIT-MID RP73P 0603 324R - 9K76 LAB KIT 2176192-2

REVISIONS table with columns: P, LTR, DESCRIPTION, DATE, DWN, APVD. Row 1: - SEE SHEET 1, -, -, -

Main table with columns: TCPN, Product Number, Description, Qty. Lists components like RP73PF1J324R B TDF, RP73PF1J332R B TDF, etc.

Main table with columns: TCPN, Product Number, Description, Qty. Lists components like RP73PF1J1K82 B TDF, RP73PF1J1K87 B TDF, etc.

Technical drawing footer containing: DIMENSIONS, TOLERANCES UNLESS OTHERWISE SPECIFIED, MATERIAL, FINISH, WEIGHT, SCALE, SHEET 3 OF 7, and ST logo.

