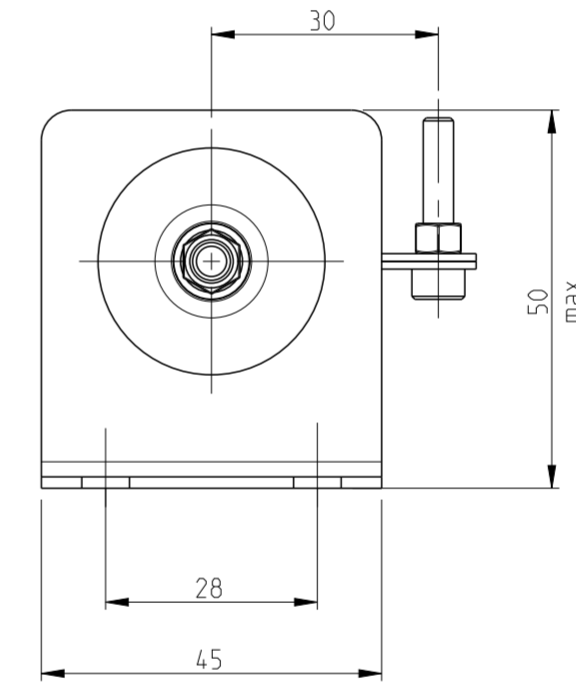
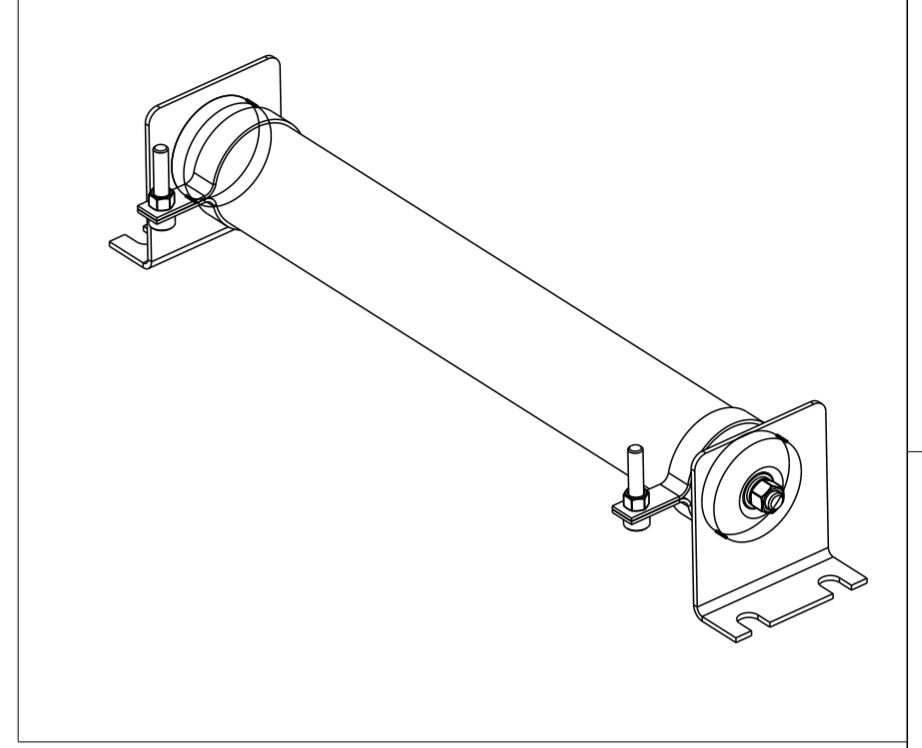
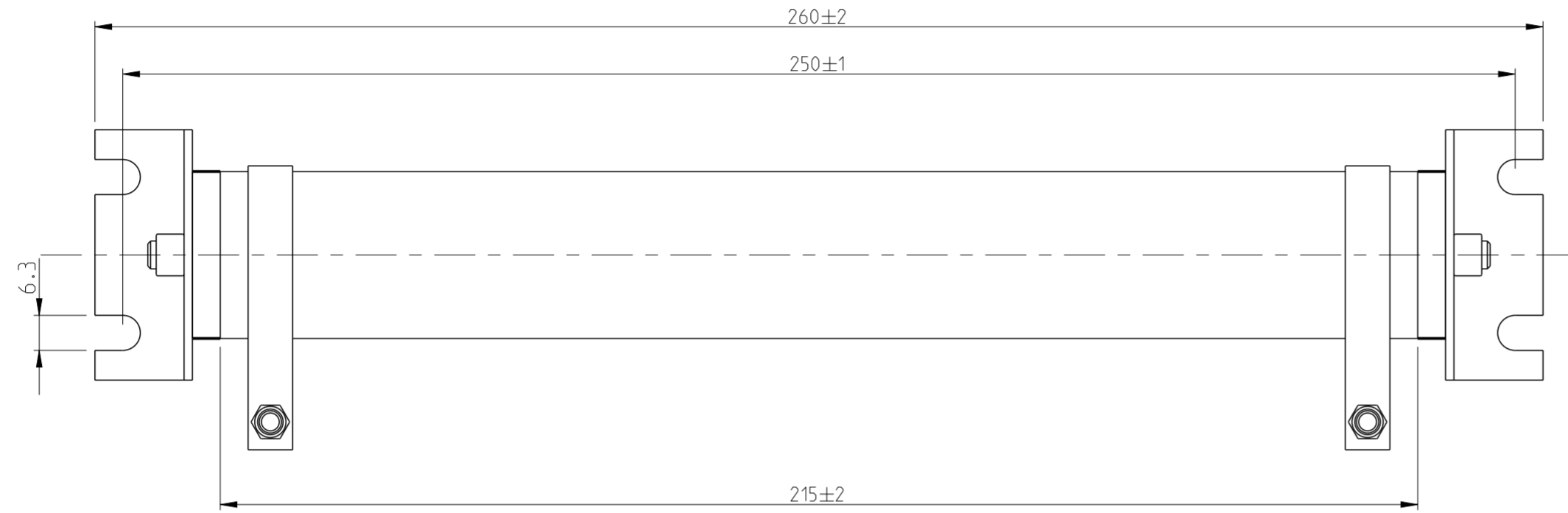
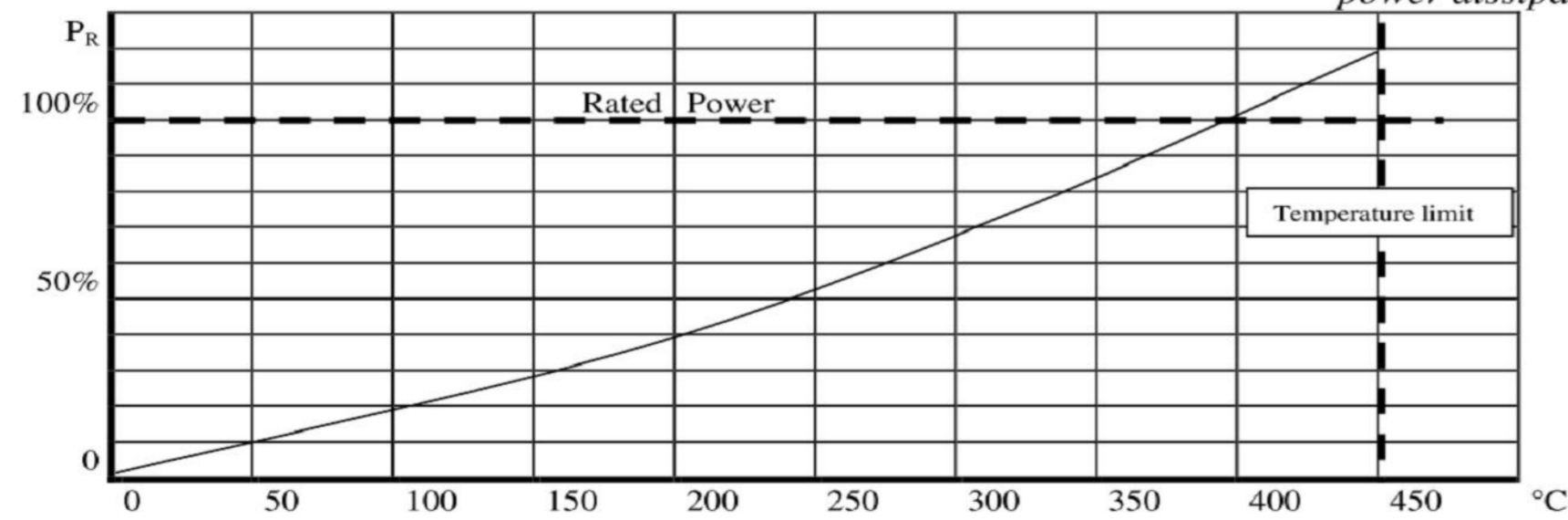


THIS DRAWING IS UNPUBLISHED. RELEASED FOR PUBLICATION 20
 © COPYRIGHT 20 BY - ALL RIGHTS RESERVED.

LOC	DIST	REVISIONS			
P	LTR	DESCRIPTION	DATE	DWN	APVD
-	-	A	INITIAL RELEASE	30MAY2013	KR TN



Surface temperature rise related to power dissipation



RoHS Compliant

ELECTRICAL CHARACTERISTICS

RATED POWER @25 °C	250 W
MAXIMUM POWER	280 W
RESISTANCE VALUE	2.5 Ω
TOLERANCE	± 5%
ADIABATIC ENERGY	15KJ
MAXIMUM SURFACE TEMPERATURE	450 °C
LIMITING ELEMENT VOLTAGE	1000 V
INSULATION RESISTANCE @ 2500Vdc	> 1.000 MΩ
DIELECTRIC STRENGTH @ 50Hz x 1'	4500 Vrms

THIS DRAWING IS A CONTROLLED DOCUMENT.		DWN 25APR2013 RAGHAVENDRA K	TE Connectivity	
DIMENSIONS: mm		CHK 25APR2013 ALLAN P		
TOLERANCES UNLESS OTHERWISE SPECIFIED:		APVD 25APR2013 TONY N	NAME R4080 2R5 5%	
0 PLC ±		PRODUCT SPEC	-	
1 PLC ±		APPLICATION SPEC	-	
2 PLC ±		WEIGHT	-	
3 PLC ±		Customer Drawing	SIZE A2	CAGE CODE 00779
4 PLC ±			DRAWING NO C-2176178	RESTRICTED TO -
ANGLES ±			SCALE 1:1	SHEET 1 OF 1
FINISH				REV A