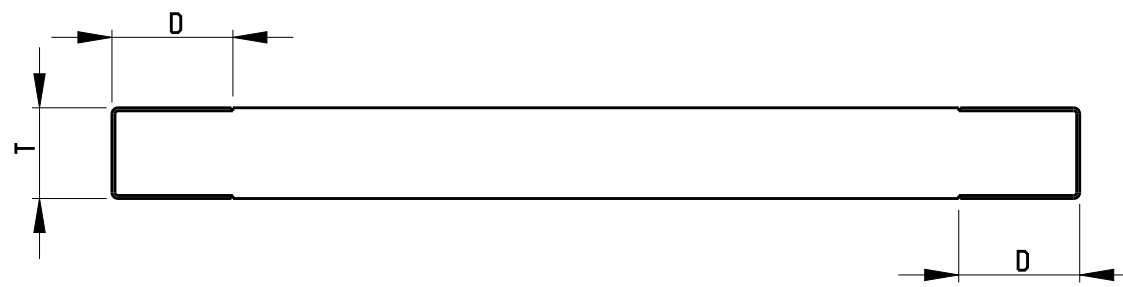
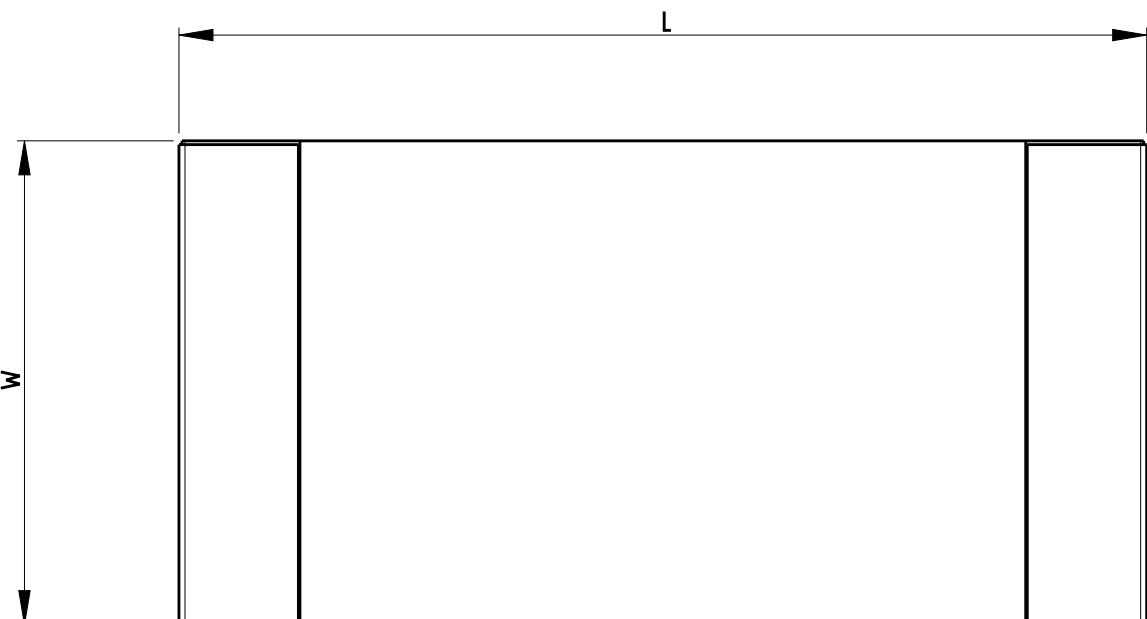


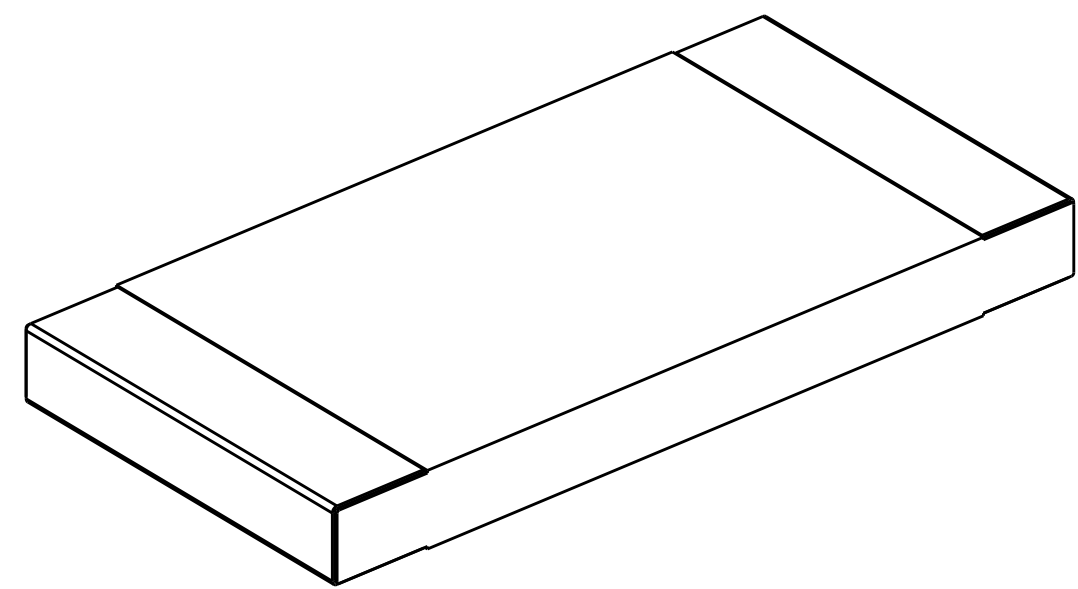
THIS DRAWING IS UNPUBLISHED. RELEASED FOR PUBLICATION 2008
 (C) COPYRIGHT 2008 ALL RIGHTS RESERVED.

REVISIONS				
P	LTR	DESCRIPTION	DATE	APVD
BA		NEW RELEASE	02AUG2014	KR TN
BA1		ECR-19-006706	30APR2019	SR AP

FOR FURTHER INFORMATION SEE DATA SHEET FOR
 TLR SERIES-SMD HIGH POWER CURRENT SENSE RESISTORS



RoHS Compliant



	COMPLETE TIN	PRODUCT NUMBER	MATERIAL DESCRIPTION	L	W	T	D	WEIGHT / 1000
SUPERSEDED BY 2176424-1	2176167-3	TLR2H10ER005FTDG	TLR 2010 1.0W R005 1% 100PPM 2K RL	5.00±0.20	2.50±0.20	0.60±0.20	0.60±0.30	40.5
SUPERSEDED BY 2176424-2	2176167-4	TLR2H10ER006FTDG	TLR 2010 1.0W R006 1% 100PPM 2K RL	5.00±0.20	2.50±0.20	0.60±0.20	0.60±0.30	40.5
OBSOLETE	2176167-5	TLR2H10ER007FTDG	TLR 2010 1.0W R007 1% 100PPM 2K RL	5.00±0.20	2.50±0.20	0.60±0.20	0.60±0.30	40.5
	2176167-6	TLR2H10ER008FTDG	TLR 2010 1.0W R008 1% 100PPM 2K RL	5.00±0.20	2.50±0.20	0.60±0.20	0.60±0.30	40.5
	2176167-7	TLR2H10ER009FTDG	TLR 2010 1.0W R009 1% 100PPM 2K RL	5.00±0.20	2.50±0.20	0.60±0.20	0.60±0.30	40.5
SUPERSEDED BY 2176424-3	2176167-8	TLR2H10ER01FTDG	TLR 2010 1.0W R01 1% 100PPM 2K RL	5.00±0.20	2.50±0.20	0.60±0.20	0.60±0.30	40.5
OBSOLETE	2176167-9	TLR2H10WR01FTDG	TLR 2010 1.0W R011 1% 75PPM 2K RL	5.00±0.20	2.50±0.20	0.60±0.20	0.60±0.30	40.5
	1-2176167-0	TLR2H10WR012FTDG	TLR 2010 1.0W R012 1% 75PPM 2K RL	5.00±0.20	2.50±0.20	0.60±0.20	0.60±0.30	40.5
	1-2176167-1	TLR2H10WR013FTDG	TLR 2010 1.0W R013 1% 75PPM 2K RL	5.00±0.20	2.50±0.20	0.60±0.20	0.60±0.30	40.5
SUPERSEDED BY 2176424-4	1-2176167-2	TLR2H10WR015FTDG	TLR 2010 1.0W R015 1% 75PPM 2K RL	5.00±0.20	2.50±0.20	0.60±0.20	0.60±0.30	40.5
OBSOLETE	1-2176167-3	TLR2H10WR016FTDG	TLR 2010 1.0W R016 1% 75PPM 2K RL	5.00±0.20	2.50±0.20	0.60±0.20	0.60±0.30	40.5
	1-2176167-4	TLR2H10WR018FTDG	TLR 2010 1.0W R018 1% 75PPM 2K RL	5.00±0.20	2.50±0.20	0.60±0.20	0.60±0.30	40.5
SUPERSEDED BY 2176424-5	1-2176167-5	TLR2H10WR020FTDG	TLR 2010 1.0W R020 1% 75PPM 2K RL	5.00±0.20	2.50±0.20	0.60±0.20	0.60±0.30	40.5
OBSOLETE	1-2176167-6	TLR2H10WR022FTDG	TLR 2010 1.0W R022 1% 75PPM 2K RL	5.00±0.20	2.50±0.20	0.60±0.20	0.60±0.30	40.5
	1-2176167-7	TLR2H10WR024FTDG	TLR 2010 1.0W R024 1% 75PPM 2K RL	5.00±0.20	2.50±0.20	0.60±0.20	0.60±0.30	40.5
	1-2176167-8	TLR2H10WR027FTDG	TLR 2010 1.0W R027 1% 75PPM 2K RL	5.00±0.20	2.50±0.20	0.60±0.20	0.60±0.30	40.5
	1-2176167-9	TLR2H10WR030FTDG	TLR 2010 1.0W R030 1% 75PPM 2K RL	5.00±0.20	2.50±0.20	0.60±0.20	0.60±0.30	40.5
	2-2176167-0	TLR2H15WR01FTDG	TLR 2010 1.5W R011 1% 75PPM 2K RL	5.00±0.20	2.50±0.20	0.60±0.20	0.60±0.30	40.5
	2-2176167-1	TLR2H15WR012FTDG	TLR 2010 1.5W R012 1% 75PPM 2K RL	5.00±0.20	2.50±0.20	0.60±0.20	0.60±0.30	40.5
	2-2176167-2	TLR2H15WR013FTDG	TLR 2010 1.5W R013 1% 75PPM 2K RL	5.00±0.20	2.50±0.20	0.60±0.20	0.60±0.30	40.5
	2-2176167-3	TLR2H15WR015FTDG	TLR 2010 1.5W R015 1% 75PPM 2K RL	5.00±0.20	2.50±0.20	0.60±0.20	0.60±0.30	40.5
	2-2176167-4	TLR2H15WR016FTDG	TLR 2010 1.5W R016 1% 75PPM 2K RL	5.00±0.20	2.50±0.20	0.60±0.20	0.60±0.30	40.5
	2-2176167-5	TLR2H15WR018FTDG	TLR 2010 1.5W R018 1% 75PPM 2K RL	5.00±0.20	2.50±0.20	0.60±0.20	0.60±0.30	40.5
	2-2176167-6	TLR2H15WR020FTDG	TLR 2010 1.5W R020 1% 75PPM 2K RL	5.00±0.20	2.50±0.20	0.60±0.20	0.60±0.30	40.5
	2-2176167-7	TLR2H15WR022FTDG	TLR 2010 1.5W R022 1% 75PPM 2K RL	5.00±0.20	2.50±0.20	0.60±0.20	0.60±0.30	40.5
	2-2176167-8	TLR2H15WR024FTDG	TLR 2010 1.5W R024 1% 75PPM 2K RL	5.00±0.20	2.50±0.20	0.60±0.20	0.60±0.30	40.5
	2-2176167-9	TLR2H15WR027FTDG	TLR 2010 1.5W R027 1% 75PPM 2K RL	5.00±0.20	2.50±0.20	0.60±0.20	0.60±0.30	40.5
	3-2176167-0	TLR2H15WR030FTDG	TLR 2010 1.5W R030 1% 75PPM 2K RL	5.00±0.20	2.50±0.20	0.60±0.20	0.60±0.30	40.5

THIS DRAWING IS A CONTROLLED DOCUMENT.		DWN RAGHAVENDRA K 02AUG2014	TE Connectivity		
DIMENSIONS: mm		CHK ALLAN P 02AUG2014			
TOLERANCES UNLESS OTHERWISE SPECIFIED:		APVD TONY N 02AUG2014	NAME SMD HIGH POWER - CURRENT SENSE RESISTORS, SERIES TLR - 3A		
0 PLC ±0.2 1 PLC ±0.1 2 PLC ± 3 PLC ± 4 PLC ± ANGLES ±5° FINISH		PRODUCT SPEC - APPLICATION SPEC - WEIGHT -	SIZE A2	CAGE CODE 00779	DRAWING NO C-2176167
MATERIAL -		Customer Drawing	RESTRICTED TO -	SCALE 10:1	SHEET 1 OF 1