

THIS DRAWING IS UNPUBLISHED.

RELEASED FOR PUBLICATION

2008

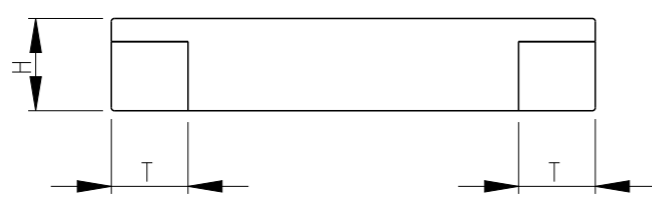
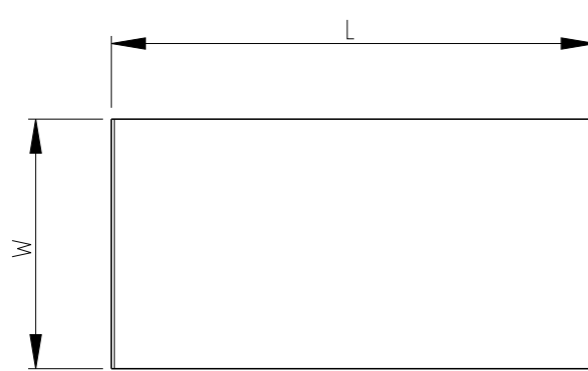
© COPYRIGHT 2008

ALL RIGHTS RESERVED.

REVISIONS

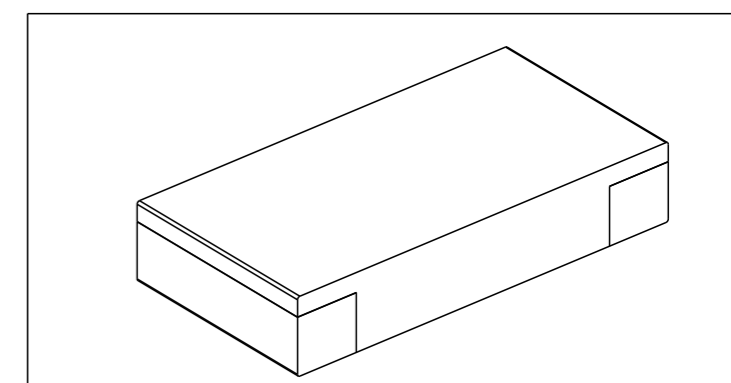
P	LTR	DESCRIPTION	DATE	DWN	APVD
	BA	NEW RELEASE	29MAY2014	KR	TN
	BA1	ECR-14-011664	02AUG2014	KR	TN
	BB	ECR-18-004255	20MAR2018	GCM	AP
	BB1	ECR-19-006706	30APR2019	SR	AP



FOR FURTHER INFORMATION SEE DATA SHEET FOR TLR SERIES-SMD HIGH POWER CURRENT SENSE RESISTORS



COMPLETE TIN	PRODUCT NUMBER	MATERIAL DESCRIPTION	L	W	H	T	WEIGHT / 1000	
OBSOLETE	2176165-1	TLR2B10DR011FTDG	TLR 1206 1.0W R011 1% 50PPM 2K RL	3.2±0.254	1.65±0.254	0.61±0.254	0.508±0.254	18.8
SUPERSEDED BY 2176418-2	2176165-2	TLR2B10DR012FTDG	TLR 1206 1.0W R012 1% 50PPM 2K RL	3.2±0.254	1.65±0.254	0.61±0.254	0.508±0.254	18.8
OBSOLETE	2176165-3	TLR2B10DR013FTDG	TLR 1206 1.0W R013 1% 50PPM 2K RL	3.2±0.254	1.65±0.254	0.61±0.254	0.508±0.254	18.8
SUPERSEDED BY 2176418-4	2176165-4	TLR2B10DR015FTDG	TLR 1206 1.0W R015 1% 50PPM 2K RL	3.2±0.254	1.65±0.254	0.61±0.254	0.508±0.254	18.8
OBSOLETE	2176165-5	TLR2B10DR016FTDG	TLR 1206 1.0W R016 1% 50PPM 2K RL	3.2±0.254	1.65±0.254	0.61±0.254	0.508±0.254	18.8
OBSOLETE	2176165-6	TLR2B10DR018FTDG	TLR 1206 1.0W R018 1% 50PPM 2K RL	3.2±0.254	1.65±0.254	0.61±0.254	0.508±0.254	18.8
SUPERSEDED BY 2176418-7	2176165-7	TLR2B10DR020FTDG	TLR 1206 1.0W R020 1% 50PPM 2K RL	3.2±0.254	1.65±0.254	0.61±0.254	0.508±0.254	18.8
SUPERSEDED BY 2176418-8	2176165-8	TLR2B10DR022FTDG	TLR 1206 1.0W R022 1% 50PPM 2K RL	3.2±0.254	1.65±0.254	0.65±0.254	0.508±0.254	18.8
OBSOLETE	2176165-9	TLR2B10DR024FTDG	TLR 1206 1.0W R024 1% 50PPM 2K RL	3.2±0.254	1.65±0.254	0.65±0.254	0.508±0.254	18.8
OBSOLETE	1-2176165-0	TLR2B10DR027FTDG	TLR 1206 1.0W R027 1% 50PPM 2K RL	3.2±0.254	1.65±0.254	0.65±0.254	0.508±0.254	18.8
SUPERSEDED BY 1-2176418-1	1-2176165-1	TLR2B10DR030FTDG	TLR 1206 1.0W R030 1% 50PPM 2K RL	3.2±0.254	1.65±0.254	0.65±0.254	0.508±0.254	18.8

RoHS Compliant



THIS DRAWING IS A CONTROLLED DOCUMENT.		DWN 29MAY2014 RAGHAVENDRA K	 TE Connectivity	
DIMENSIONS: mm		CHK 29MAY2014 ALLAN P		
TOLERANCES UNLESS OTHERWISE SPECIFIED:		APVD 29MAY2014 TONY N	NAME SMD HIGH POWER - CURRENT SENSE RESISTORS, SERIES TLR - 2B	
		PRODUCT SPEC	RESTRICTED TO	
0 PLC ±0.2 1 PLC ±0.1 2 PLC ± 3 PLC ± 4 PLC ± ANGLES ±5°		APPLICATION SPEC	SIZE A3	CAGE CODE 00779
MATERIAL		WEIGHT 0.0188 GR	DRAWING NO C-2176165	
FINISH		Customer Drawing	SCALE 10:1	SHEET 1 OF 1
			REV BB1	