

THIS DRAWING IS UNPUBLISHED.

RELEASED FOR PUBLICATION

2011

© COPYRIGHT 2011

ALL RIGHTS RESERVED.

LOC

DIST

REVISIONS

A1

-

P

LTR

DESCRIPTION

DATE

DWN

APVD

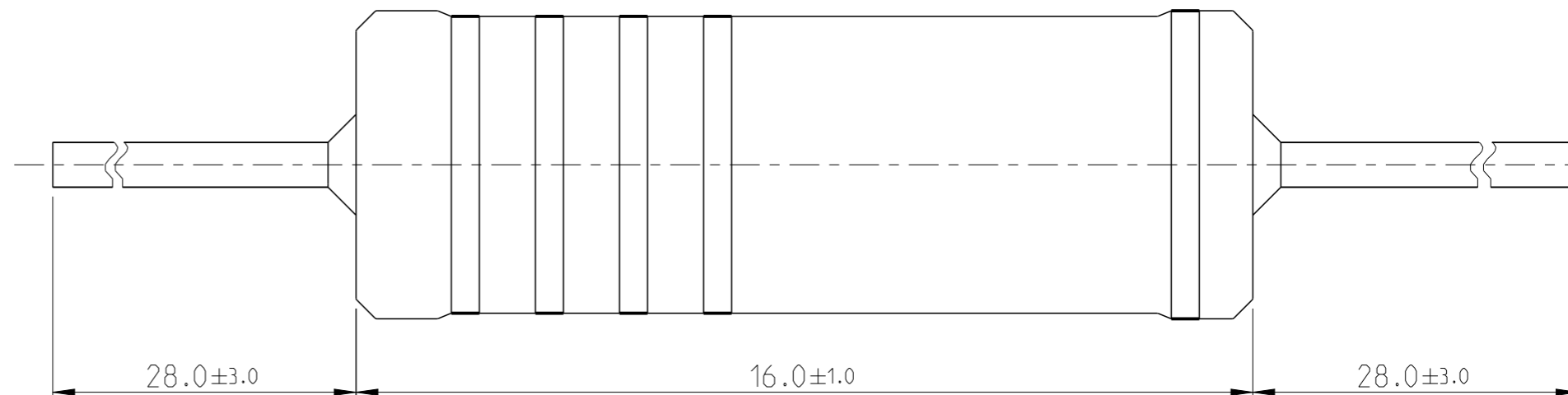
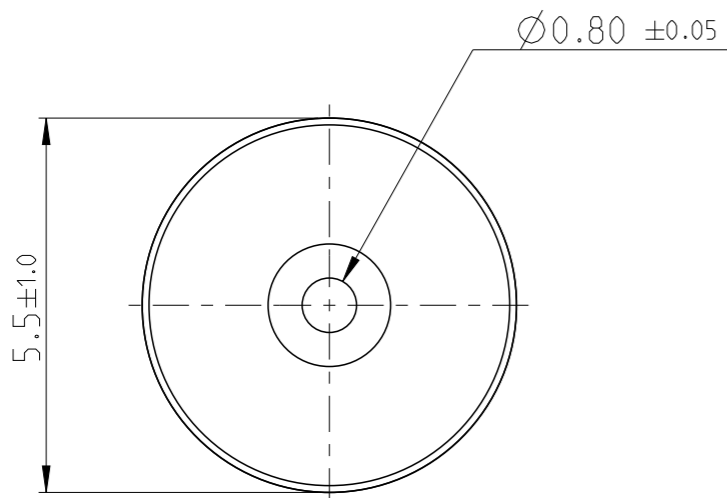
BA

NEW DRAWING

15FEB2013

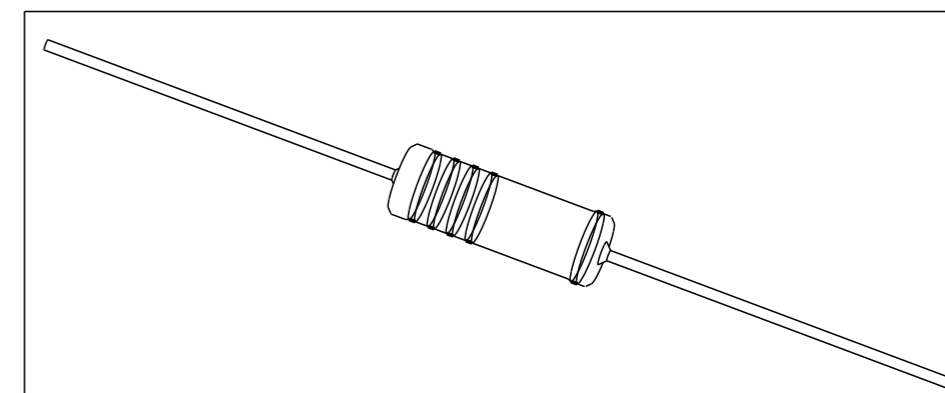
KR


TN



FOR FUTHER INFORMATION SEE DATA SHEET FOR WIREWOUND ANTI-SURGE RESISTOR - EP SERIES

NOTE: COLOUR CODE MARKING IN ACCORDANCE WITH IEC 62 (IEC 60062)



THIS DRAWING IS A CONTROLLED DOCUMENT.		DWN 15FEB2013 RAGHAVENDRA.K	 TE Connectivity	
DIMENSIONS: mm		CHK 15FEB2013 ALLAN.P		
TOLERANCES UNLESS OTHERWISE SPECIFIED:		APVD 15FEB2013 TONY.N	WIREWOUND ANTI-SURGE RESISTOR - TYPE EP 3W - S	
0 PLC ±		PRODUCT SPEC	-	
1 PLC ±		APPLICATION SPEC	-	
2 PLC ±		WEIGHT	SIZE	RESTRICTED TO
3 PLC ±		2.239 Gram	A3	-
4 PLC ±		Customer Drawing	CAGE CODE	DRAWING NO
ANGLES ±1°		SCALE	00779	©=2176160
FINISH -		1:1	SHEET	REV
			1	BA
			OF	
			1	