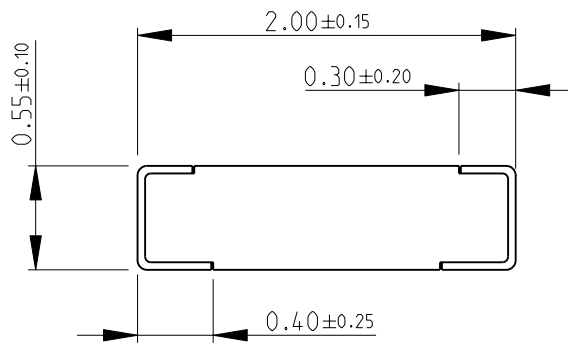
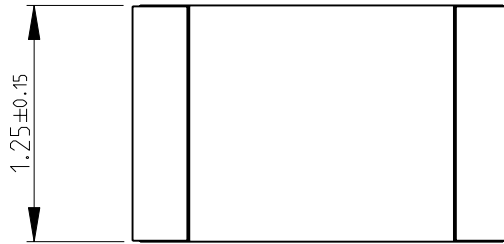
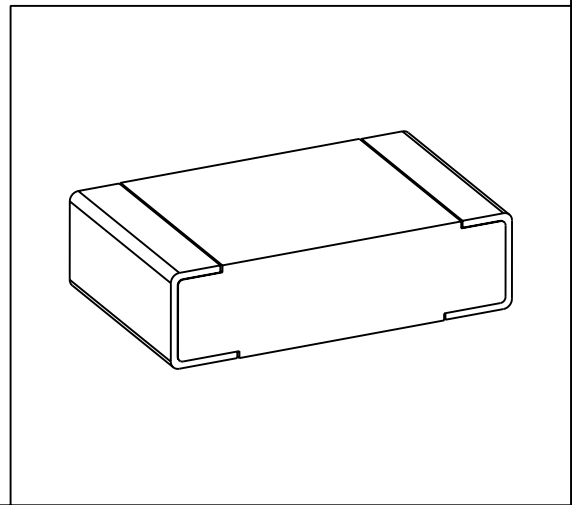


LOC	DIST	REVISIONS					
E	B	P	LTR	DESCRIPTION	DATE	DWN	APVD
		BA		NEW RELEASE	02JUL2012	KR	TN

FOR FURTHER INFORMATION SEE DATA SHEET FOR CPF SERIES-THIN FILM PRECISION CHIP RESISTORS



RoHS Compliant



2008

RELEASED FOR PUBLICATION

ALL RIGHTS RESERVED.

BY -

© COPYRIGHT 2008

THIS DRAWING IS UNPUBLISHED.

DIMENSIONS:		DWN	02JUL2012	MATERIAL	-	FINISH	-
mm		RAGHAVENDRA K		TE Connectivity			
TOLERANCES UNLESS OTHERWISE SPECIFIED:		CHK	02JUL2012				
0 PLC	±0.2	ALLAN P		NAME THIN FILM PRECISION CHIP RESISTORS SERIES CPF 0805			
1 PLC	±0.1	APVD	02JUL2012				
2 PLC	±	TONY N		SIZE	CAGE CODE	DRAWING NO	RESTRICTED TO
3 PLC	±	PRODUCT SPEC	-	A 4	00779	©-2176123	-
4 PLC	±	APPLICATION SPEC	-	CUSTOMER DRAWING			
ANGLES	±5°	WEIGHT	-	SCALE	25:1	SHEET	1 OF 1
		CUSTOMER DRAWING		SCALE 25:1		SHEET 1 OF 1	
						REV BA	