

4

3

2

1

THIS DRAWING IS UNPUBLISHED.

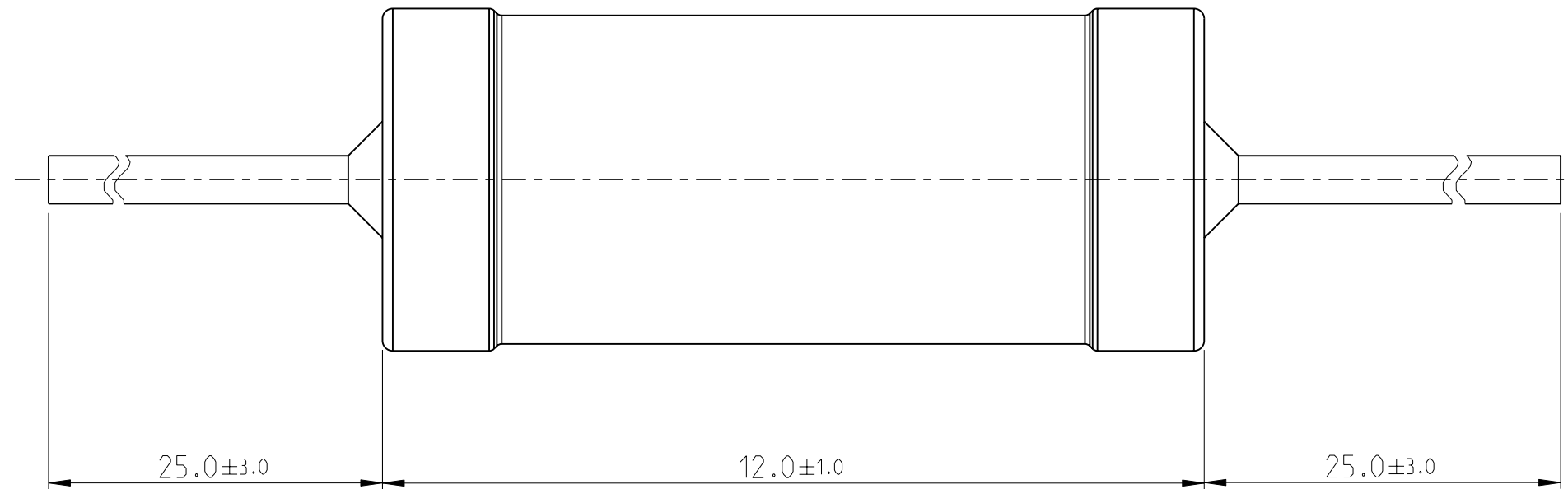
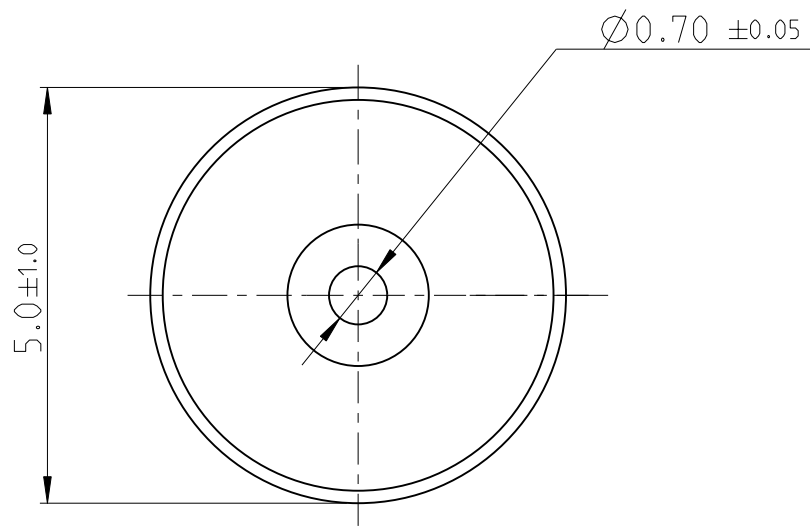
RELEASED FOR PUBLICATION

2011

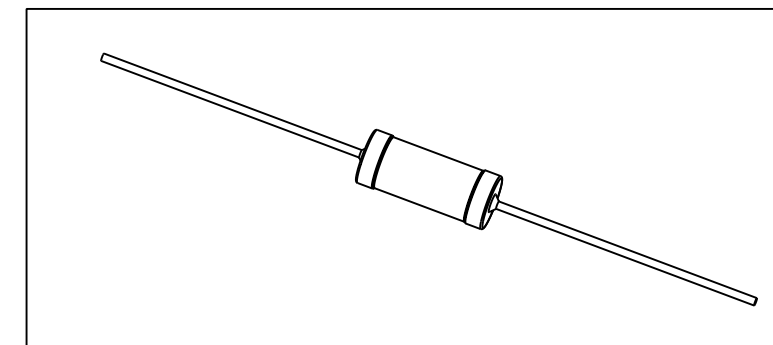
© COPYRIGHT 2011


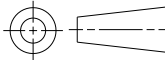
ALL RIGHTS RESERVED.

LOC	DIST	REVISIONS			
P	LTR	DESCRIPTION	DATE	DWN	APVD
AI	-	BA	NEW DRAWING	16MAR2012	DMS ST.P



FOR FUTHER INFORMATION SEE DATA SHEET FOR  
WIREWOUND ANTI-SURGE RESISTOR - EP SERIES



THIS DRAWING IS A CONTROLLED DOCUMENT.		DWN DARSHAN.MS 16MAR2012	 TE Connectivity	
DIMENSIONS: mm		CHK ALLAN.P 16MAR2012		
		APVD STEPHEN.P 16MAR2012		
TOLERANCES UNLESS OTHERWISE SPECIFIED:		PRODUCT SPEC	NAME WIREWOUND ANTI-SURGE RESISTOR - TYPE EP 1W	
0 PLC ±		APPLICATION SPEC	SIZE A3	
1 PLC ±		WEIGHT 1.526 Gram	CAGE CODE 00779	DRAWING NO C=2176078
2 PLC ±		CUSTOMER DRAWING	RESTRICTED TO	
3 PLC ±			SCALE 1:1	SHEET 1 OF 1
4 PLC ±			REV BA	
ANGLES ±1°				
FINISH -				